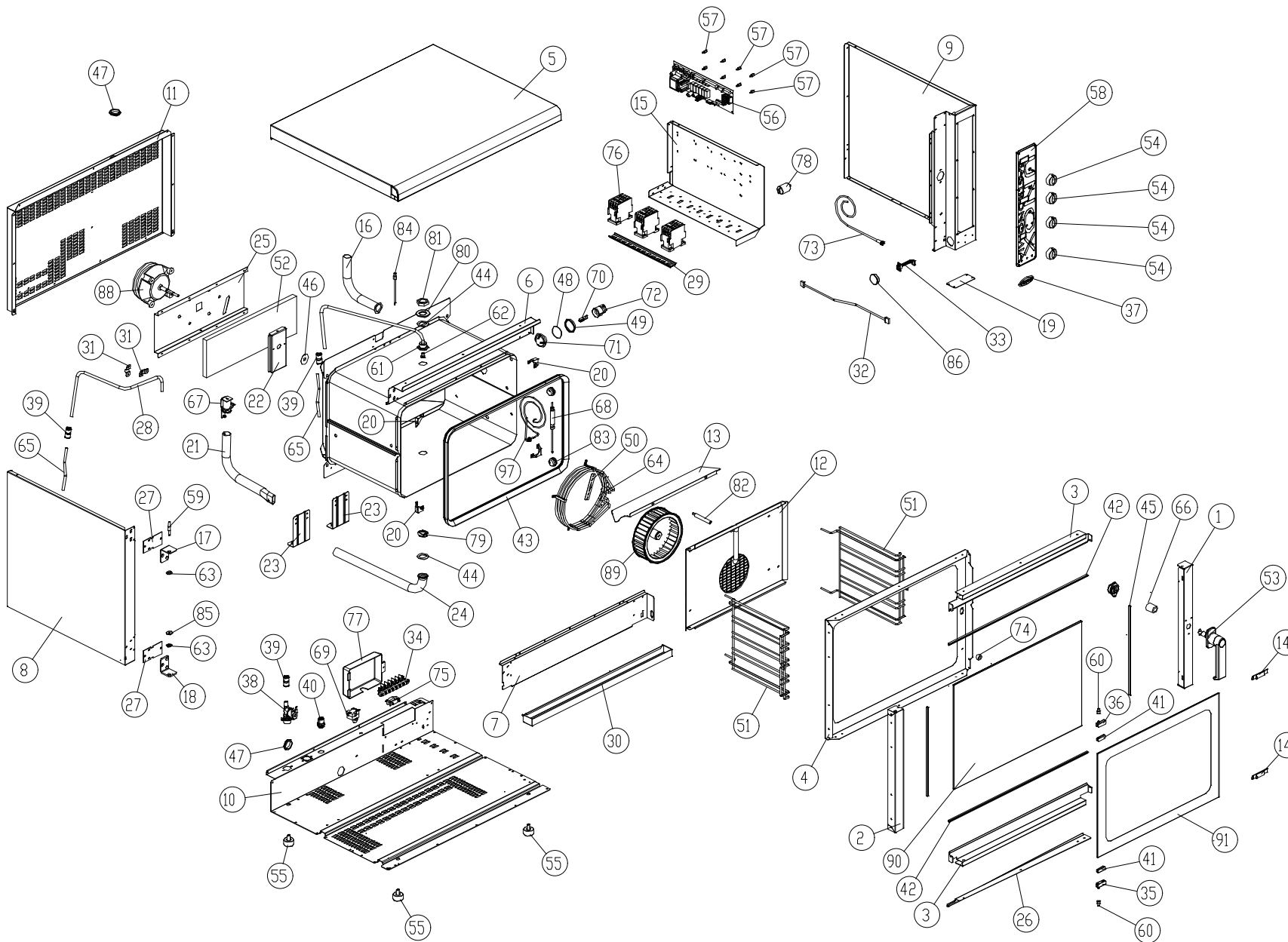


MOD: XV303G

EXPLODED VIEW DISEGNO ESPLOSO



LEGEND - LEGENDA

1	OB1035A1	56	PE1010B1
2	OB1040A0	57	PE102
3	OB1060A0	58	PE1050B2
4	OB1065A3	59	RC1035A0
5	OD1025B0	60	RC1000B0
6	OD1035B0	61	RC1136A0
7	OD1036B0	63	RC540
8	OD1040C0	64	RS1050A0
9	OD1041C0	65	TB008
10	OE1005C3	66	TB1005A0
11	OF1020C3	67	VE1135A0
12	OG1025B1	68	TR1000A4
13	OG1035B0	69	TR255B
14	2H032	70	VE1005A1
15	OH1005E0	71	VE1010A1
16	OH1015A1	72	VE1015A1
17	OH1020A0	73	VE1020A0
18	OH1021A0	74	VE1030A1
19	OH1030A2	75	VE1075A0
20	OH1450A0	76	VE1095A0
21	OH1050A2	77	VE1100A0
23	OH1065A0	78	VE221
24	OH1075A0	79	VI1030A2
25	OH2010A0	80	VI1235A0
26	OH1105A3	81	VI1245A0
27	OH1140A2	82	VI1510A0
28	OH1500A0	83	VI1515A1
30	OM1005A2	85	VI524
31	2H070	86	VM1005A0
32	CE1000C0	87	VM250
33	CE1005B0	88	VN1000B0
34	CE212	89	VN1025A2
35	CR045	90	VT1020A0
36	CR046	91	VT1021A0
37	ED1070A0	97	TR1005A2
38	EL1155A0		
39	EL1055A0		
40	EL1125A0		
41	GN006A		
42	GN100		
43	GN1000B0		
44	GN1010A0		
45	GN102		
46	GN1140A0		
47	GN1045A0		
48	GN1055A0		
49	GN1065A1		
50	GN224		
51	GRL1045A1		
53	MG1000A0		
54	MN121A		
55	PD061A		

MOD: XV303G

EXPLODED VIEW DISEGNO ESPLOSO



DESCRIZIONE CODICI

1	OB1035A1	COLONNINA LATERALE DX INOX XB403 XV203/303
2	OB1040A0	COLONNINA LATERALE SX INOX XB403 XV203/303
3	OB1060A0	LISTELLO SUP./INF. PORTA INOX SERIE XV303/703G
4	OB1065A3	PORTA INTERNA INOX SERIE 300
5	OD1025B0	COPERCHIO INOX XV303/703G
6	OD1035B0	PROFILO SUP. INOX FACCIATA MUFFOLA XV303/703G
7	OD1036B0	PROFILO INF. INOX FACCIATA MUFFOLA XV303/703G
8	OD1040C0	FIANCO SX INOX XV203/303G
9	OD1041C0	FIANCO DX INOX XV203/303G
10	OE1005C3	FONDO ESTERNO INOX SERIE 300-700
11	OF1020C3	SCHIENA INOX SERIE 300
12	OG1025B1	CARTER ARIA INOX SERIE 300
13	OG1035B0	DIST. CARTER ARIA INOX XV303G/703G
14	2H032	LAMIERA FERMA PORTA FREDDA LAVATO
15	OH1005E0	LAMIERA PORTACOMPONENTI SERIE XB-XV
16	OH1015A1	CAMINO FUMI D-EST=30 SP=1 INOX XB-XV
17	OH1020A0	STAFFA SUP. SUPPORTO PORTA
18	OH1021A0	STAFFA INFERIORE SUPP. PORTA
19	OH1030A2	TAPPO INF. CHIUSURA CRUSCOTTI
20	OH1450A0	ANGOLO FACCIATA MUFFOLA INOX XB-XV-XG L.M.
21	OH1050A2	TUBO VENTURI D-EST=30 SP=1 INOX XB-XV-XG
23	OH1065A0	NUOVO SOSTEGNO MUFFOLA STANDARD
24	OH1075A0	TUBO SCARICO INOX ø30x1.5 SERIE XV
25	OH2010A0	PROFILO SOSTEGNO MOTORE XV303G/703G
26	OH1105A3	PROF.SALVA-GOCCIA INOX XV303G/703G
27	OH1140A2	CONTROSTAFFA PORTA XB-XG-XV
28	OH1500A0	TUBO ESTERNO UMIDITA' SERIE XB-XV
30	OM1005A2	CASSETTO RACCOGLI GOCCIE XV303/703G
31	2H070	PROFILO FERMA TUBO UMIDITA' LAVATO
32	CE1000C0	CAVO COLL. SCHEDA POT-CONTR 4 FILI VERS. 2003 UL CSA CON
33	CE1005B0	CAVO COLLEG. SCHEDA CONNETT.DB9F RS 232 VERS. 2003
34	CE212	MORSETT. SFK/7FTW GV V0 00160593
35	CR045	CERN.DX INOX XV-XL-XB
36	CR046	CERN.SX INOX XV-XL-XB
37	ED1070A0	ETICHETTA UNOX ELISSE 78x33 ARGENTO CON BORDO EST.
38	EL1155A0	ELETR SING. ATT. J.GUEST INCORPORATO CON RID.ROSSO TARA
39	EL1055A0	RIDUZIONE J.G. DA D=10 A D=8 PM201008E
40	EL1125A0	PASSAPARETE ø8
41	GN006A	GUARN.PORTA FREDDA A BAND. PTFE CAR/CARB Sp=1mm
42	GN100	PROFILO PORTA SIL NERO P346 XT
43	GN1000B0	GUARNIZIONE NERA 50 SHORE FORNI XB-XG-XV
44	GN1010A0	GUARN.PTFE+CARB NUOVO SCARICO ø42x28,5x2
45	GN102	PROFILO PORTA SIL NERO C121 XT
46	GN1140A0	GUARNIZIONE PORTAMOTORE STAMP. ALBERO MOT. D10 XB-X
47	GN1045A0	GUARN.ANTIVIBR. CAMINO-SCARICO ø131-øe39,9-Sp=7,5
48	GN1055A0	OR 46x2 VMQ 70 ROSSO
49	GN1065A1	GUARNIZIONE PORTALAMPADA DE=53.2 DI=44.2 SP=3.2 PTFE P
50	GN224	GUARN.PTFE+CARB 100x22x0,8sp-c/fori 1999
51	GRL1045A1	GRIGLIA LAT. DX/SX INOX 5TG GN
53	MG1000A0	NUOVA MANIGLIA STANDARD
54	MN121A	MANOPOLA CON INDICE NON SERIGRAFATO '04
55	PD061A	PIEDINO M10 D=35 H=20 NERO OPACO

56	PE1010B1	SCHEDA DI POTENZA LINEA PROFESSIONAL VER. 2003.NET
57	PE102	SUPPORTO PER SCHEDA 24POT98
58	PE1050B2	CONTROLLO VERTICALE COMPLETO GASTRONOMIA
59	RC1035A0	PERNO FILETTATO SUP.PORTA XB-XV-XG
60	RC1000B0	BOCCOLA INOX SUPP. VETRO STANDAR
61	RC1136A0	RACC.PORTA GIRANTE CON TUBO 0H1778A0 SALDATO
63	RC540	BOCCOLA BRONZO STAFFE SUPP. PORTA XV501
64	RS1050A0	RESISTENZA CIRCOLARE 3000W+2000W 230V INCOLOY 5 GIRI
65	TB008	TUBO PE 7,93x4,75 TRASPARENTE
66	TB1005A0	TUBO SIL. NERO 27x17 55/65 Sh
67	VE1135A0	ATTUATORE VENTURI 220V 50/60 Hz SERIE 2
68	TR1000A4	SONDA AL CUORE MANICO LISCIO
69	TR255B	TERMOSTATO SIC.+UNIPOL.330 °C Ty95H L=1300mm
70	VE1005A1	LAMPADA ALOGENA 40W 230V
71	VE1010A1	VETRO COPRILAMPADA TEMPERATO ANTISHOCK
72	VE1015A1	PORTA LAMPADA SERIE 2 PER LAMPADA ALOGENA
73	VE1020A0	MICROINTERRUTTORE PORTA MAGNETICO
74	VE1030A1	CALAMITA D=22,9mm PER MICROPORTA
75	VE1075A0	PRESSACAPO FV 268 RO
76	VE1095A0	TELERUTTORE GE 25A 230V 50/60 Hz CL01A400T6
77	VE1000A0	SCATOLA COPRI MORSETTIERA NYLON XBT/XVT
78	VE221	CONDENS.ICAR PRL 5uf 450V FASTON
79	V11030A2	TAPPO FRESATO PER NUOVO SCARICO
80	V11235A0	RONDELLA PIANA 50x28x4 INOX
81	V11245A0	DADO 3/4" H=10 INOX FISSAGGIO PORTA GIRANTE
82	V11510A0	PERNO FILETTATO INOX M6 DIST. CARTER ARIA
83	V11515A1	SUPPORTO SONDA AL CUORE CON CAVA PER FILO INOX
85	V1524	RONDELLA 6x24x2 INOX
86	VM1005A0	COPRITESTA ROTONDO ABS NERO 40x2
87	VM250	MORSETTA A PETTINE
88	VN1000B0	MOTORE COND.5uf 200W ALB.M8 CONN.5 POLI
89	VN1025A2	VENTOLA D=196 H=61 38 PALE INOX DADO M8
90	VT1020A0	VETRO INT.654x436x6 TFL XV303G
91	VT1021A0	VETRO EST.SER.GRIGIO 620x435x4 BETFL XV303G
97	TR1005A2	SONDA DI TEMP. CON PASSAPARETE DOPPIA SALD AISI316L

DESCRIPTION

1	OB1035A1	STAINLESS STEEL DOOR RIGHT LATERAL COLUMN XB403 XV203/303
2	OB1040A0	STAINLESS STEEL DOOR LEFT LATERAL COLUMN XB403 XV203/303
3	OB1060A0	UPPER/LOWER STAINL.STEEL DOOR LISTEL SERIE XV303/703G
4	OB1065A3	INTERNAL DOOR XB-XV-XG
5	OD1025B0	STAINLESS STEEL COVER XV303/703G
6	OD1035B0	PROFILE SUP. INOX FACCIATA MUFFOLA XV303/703G
7	OD1036B0	PROFILE INF. INOX FACCIATA MUFFOLA XV303/703G
8	OD1040C0	FLANGE SX INOX XV203/303G
9	OD1041C0	FLANGE DX INOX XV203/303G
10	OE1005C3	EXTERNAL INOX COVER 300-700
11	OF1020C3	BACK PANEL INOX SERIE 300
12	OG1025B1	STAINLESS STEEL FAN GUARD SERIE 300
13	OG1035B0	DIST. FAN GUARD INOX XV303G/703G
14	2H032	WASHED METAL HOLDER FOR COOL DOOR
15	OH1005E0	TEMPERED LIGHT BULB GLASS COVER
16	OH1015A1	UPPER BRACKET TO HOLD THE DOOR
17	OH1020A0	LOWER BRACKET TO HOLD THE DOOR
18	OH1021A0	MAGNET FOR DOOR MICROSWITCH D=22,9mm
19	OH1030A2	BOTTOM LID TO CLOSE CONTROL PANEL
20	OH1450A0	STAINLESS STEEL MUFFLE FRONT FACE ANGLE XB-XV-XG-L.M.
21	OH1050A2	NEW STANDARD CAVITY SUPPORT
23	OH1065A0	NEW STANDARD CAVITY SUPPORT
24	OH1075A0	STAINLESS STEEL DRAIN PIPE ø30x1.5 SERIE XV
25	OH2010A0	MOTOR SUPPORT PROFILE XV303G/703G
26	OH105A3	STAINLESS STEEL SAFE-DROP PROFILE XV303G/703G
27	OH1140A2	DOOR COUNTERSTIRRUP XB-XG-XV
28	OH1500A0	EXTERNAL HUMIDITY TUBE NEW LINE STAND
30	OM1005A2	DRIP TRAY XV303/XV703G
31	2H070	WASHED PROFILE TO HOLD HUMIDITY TUBE
32	CE1000C0	CONNECTION CABLE POWER - CONTROL CARD 4 WIRES VERS. 20
33	CE1005B0	CONNECTION CABLE CONTROL-CONNETT.DB9F RS 232 VERS. 20
34	CE212	TERMINAL BOARD SFK/7FTW GV V0 00160593
35	CR045	RIGHT STAINLESS STEEL HINGE XV-XL-XB
36	CR046	LEFT STAINLESS STEEL HINGE XV-XL-XB
37	ED1070A0	UNOX ELLIPTICAL STICKER 78x33-SILVER WITH EXTERNAL FRAME
38	EL1155A0	WATER SINGLE ELECTROVALVE + J.G. CONN. INCL. W/ RED CALR
39	EL1055A0	J.G. REDUCTION FROM D=10 TO D=8 PM201008E
40	EL1125A0	WALL PASSING SEAL ø8
41	GN006A	COLD DOOR SEAL PTFE CAR/CARB Thickness=1mm
42	GN100	DOOR BLACK SEAL P346 XT
43	GN1000B0	BLACK DOOR SEAL 50 SHORE OVENS XB-XG-XV
44	GN1010A0	SEAL PTFE+CARB NEW DRAIN ø42x28,5x2
45	GN102	BLACK SILICON DOOR PROFILE C121 XT
46	GN1140A0	MOTOR GASKET
47	GN1045A0	ANTIVIBR.SEAL FOR EXHAUST CHIMNEY ø131-øe39,9-Sp=7,5
48	GN1055A0	OR 46x2 VMQ 70 RED
49	GN1065A1	SEAL FOR LAMP GLASS COVER (PURE PTFE) DE=53.2 DI=44.2 TH=
50	GN224	PTFE+CARB 100x22x0,8sp-w/holes 1999 GASKET
51	GRL1045A1	RIGHT/LEFT LATERAL GRID STAINLESS STEEL 5 TRAYS GN 1/1
53	MG1000A0	NEW STANDARD HANDLE
54	MN121A	KNOB WITH NON SERIGRAFED INDEX '04
55	PD061A	SMALL FOOT M10 D=35 H=20 BLACK OPAQUE

56	PE1010B1	PROFESSIONAL POWER CARD VER. 2003.NET
57	PE102	SUPPORT FOR CARD 24POT98
58	PE1050B2	COMPLETE VERTICAL CONTROL GASTRONOMY
59	RC1035A0	THREADED DOOR TOP XB-XV-XG
60	RC1000B0	STAINLESS STEEL UPPER BUSHING FOR GLASS
61	RC1136A0	ROTOR SUPPORT CONNECTION WITH WELDED TUBE 0H1778A0
63	RC540	BRONZE BUSHING FOR STIRRUP TO HOLD DOOR XV501
64	RS1050A0	CIRC.HEAT.ELEMENT 3000W+2000W 230 V INCOLOY 5 RODS
65	TB008	TRANSPARENT TUBE PE 7,93x4,75
66	TB1005A0	BLACK SILICONE PIPE 27x17 55/65 Sh
67	VE1135A0	VENTURI ACTUATOR 220 V 50/60 Hz SERIES 2
68	TR1000A4	SONDA AL CUORE MANICO LISCIO
69	TR255B	SAFETY THERMOSTAT+UNIPOL. 330 °C Ty95H L=1300mm
70	VE1005A1	HALOGEN LAMP 40W
71	VE1010A1	TEMPERED LIGHT BULB GLASS COVER
72	VE1015A1	LAMP HOLDER SERIE 2 FOR HALOGEN LAMP
73	VE1020A0	MAGNETIC DOOR MICROSWITCH
74	VE1030A1	MAGNET FOR DOOR MICROSWITCH D=22,9mm
75	VE1075A0	CABLE PRESS FV 268 RO
76	VE1095A0	REMOTE CONTROL SWITCH GE 25A 230V 50/60 Hz CL01A400T6
77	VE1000A0	TERMINAL BOARD BLACK NYLON COVER XBT/XVT
78	VE221	ICAR CONDENSER PRL 5uf 450V FASTON
79	V11030A2	MILLED LID FOR NEW DRAIN PIPE
80	V11235A0	STAINLESS STEEL FLAT WASHER 50x28x4
81	V11245A0	STAINLESS STEEL 3/4" H=10 NUT TO FIX ROTATING ARM
82	V11510A0	STAINLESS STEEL THREADED PIN M6 FAN GUARD SPACER
83	V11515A1	STAINLESS STEEL CORE PROBE SUPPORT WITH CANAL FOR CABLE
85	V1524	STAINLESS STEEL WASHER 6x24x2
86	VM1005A0	ROUND HEAD COVER BLACK ABS 40x2
87	VM250	"COMB" TERMINAL BOARD
88	VN1000B0	MOTOR COND.5uf 200W ALB.M8 CONN.5 TERMINALS
89	VN1025A2	FAN D=196 H=61 38 BLADES STAINLESS STEEL NUT M8
90	VT1020A0	INTERNAL GLASS 654x436x6 TFL XV303G
91	VT1021A0	EXTERNAL GREY SER.GLASS 620x435x4 BETFL XV303G
97	TR1005A2	TEMPERATE PROBE WITH WALL PASSING NUT-DOUBLE WELDING