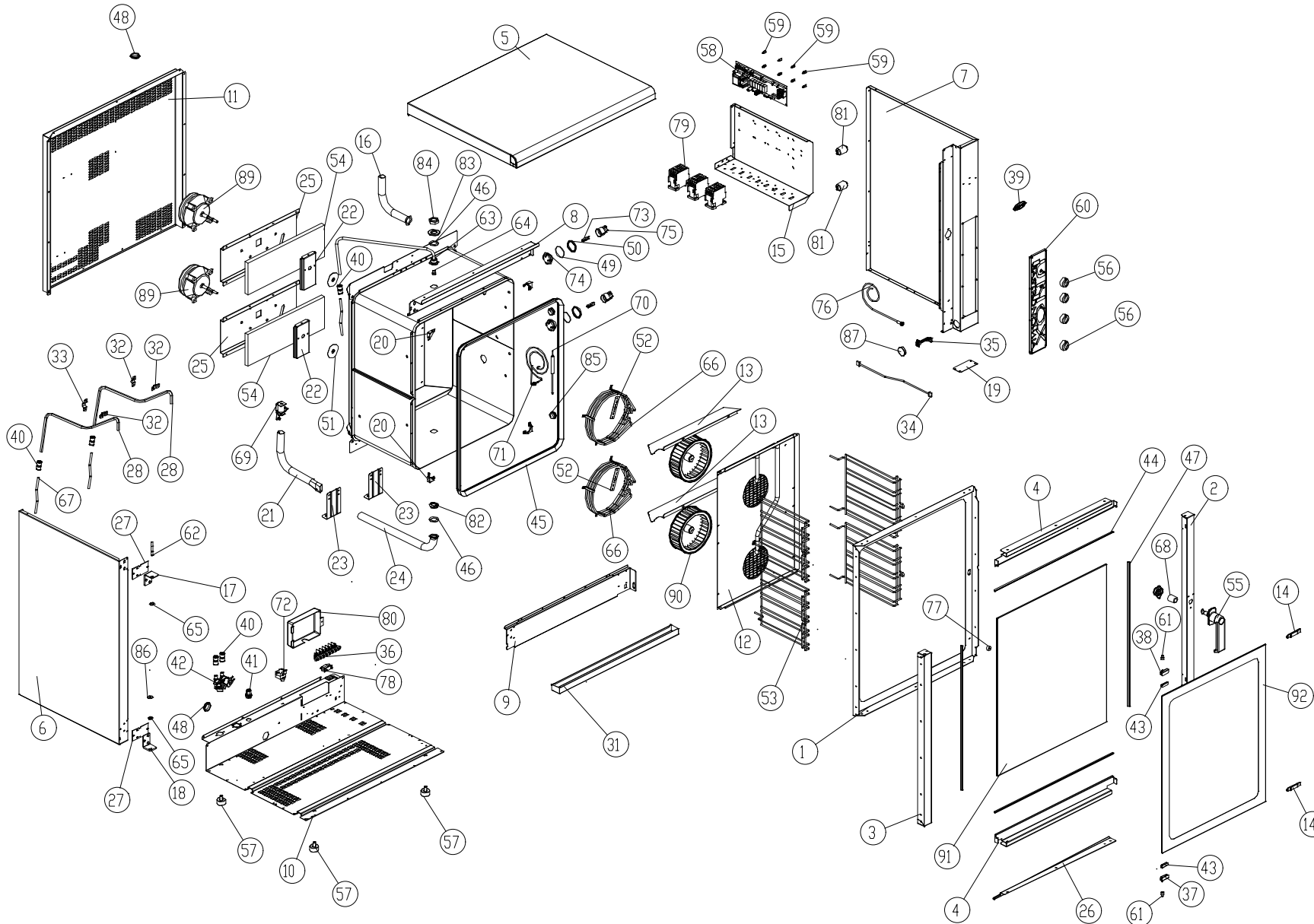


MOD: XV703G

EXPLODED VIEW DISEGNO ESPLOSO



LEGEND - LEGENDA

1	OB1045A2	56	MN121A
2	OB1050A1	57	PD061A
3	OB1055A0	58	PE1010B1
4	OB1060A0	59	PE102
5	OD1025B0	60	PE1050B2
6	OD1030C0	61	RC1000B0
7	OD1031C0	62	RC1035A0
8	OD1035B0	63	RC1136A0
9	OD1036B0	65	RC540
10	OE1005C3	66	RS1050A0
11	OF1015C3	67	TB008
12	OG1020B1	68	TB1005A0
13	OG1035B0	69	VE1135A0
14	2H032	70	TR1000A4
15	OH1005E0	71	TR1005A2
16	OH1015A1	72	TR255B
17	OH1020A0	73	VE1005A1
18	OH1021A0	74	VE1010A1
19	OH1030A2	75	VE1015A1
20	OH1450A0	76	VE1020A0
21	OH1050A2	77	VE1030A1
23	OH1065A0	78	VE1075A0
24	OH1075A0	79	VE1095A0
25	OH2010A0	80	VE1100A0
26	OH1105A3	81	VE221
27	OH1140A2	82	VI1030A2
28	OH1500A0	83	VI1235A0
31	OM1005A2	84	VI1245A0
32	2H070	85	VI1515A1
33	2H072	86	VI524
34	CE1000C0	87	VM1005A0
35	CE1005B0	88	VM250
36	CE212	89	VN1000B0
37	CR045	90	VN1025A2
38	CR046	91	VT1015A0
39	ED1070A0	92	VT1016A0
40	EL1055A0		
41	EL1125A0		
42	EL1160A0		
43	GN006A		
44	GN100		
45	GN1000B0		
46	GN1010A0		
47	GN102		
48	GN1045A0		
49	GN1055A0		
50	GN1065A1		
51	GN1140A0		
52	GN224		
53	GRL1045A1		
55	MG1000A0		

MOD: XV703G

EXPLODED VIEW DISEGNO ESPLOSO



DESCRIZIONE CODICI

1	OB1045A2	PORTA INTERNA INOX SERIE 700
2	OB1050A1	COLONNINA LATERALE DX INOX XV703G
3	OB1055A0	COLONNINA LATERALE SX INOX XV703G
4	OB1060A0	LISTELLO SUP./INF. PORTA INOX SERIE XV303/703G
5	OD1025B0	COPERCHIO INOX XV303/703G
6	OD1030C0	FIANCO SX INOX XV703G
7	OD1031C0	FIANCO DX INOX XV703G
8	OD1035B0	PROFILO SUP. INOX FACCIATA MUFFOLA XV303/703G
9	OD1036B0	PROFILO INF. INOX FACCIATA MUFFOLA XV303/703G
10	OE1005C3	FONDO ESTERNO INOX SERIE 300-700
11	OF1015C3	SCHIENA INOX SERIE 700
12	OG1020B1	CARTER ARIA INOX SERIE 700
13	OG1035B0	DIST. CARTER ARIA INOX XV303G/703G
14	2H032	LAMIERA FERMA PORTA FREDDA LAVATO
15	OH1005E0	LAMIERA PORTACOMPONENTI SERIE XB-XV
16	OH1015A1	CAMINO FUMI D-EST=30 SP=1 INOX XB-XV
17	OH1020A0	STAFFA SUP. SUPPORTO PORTA
18	OH1021A0	STAFFA INFERIORE SUPP. PORTA
19	OH1030A2	TAPPO INF. CHIUSURA CRUSCOTTI
20	OH1450A0	ANGOLO FACCIATA MUFFOLA INOX XB-XV-XG L.M.
21	OH1050A2	TUBO VENTURI D-EST=30 SP=1 INOX XB-XV-XG
23	OH1065A0	NUOVO SOSTEGNO MUFFOLA STANDARD
24	OH1075A0	TUBO SCARICO INOX ø30x1.5 SERIE XV
25	OH2010A0	PROFILO SOSTEGNO MOTORE XV303G/703G
26	OH1105A3	PROF.SALVA-GOCCIA INOX XV303G/703G
27	OH1140A2	CONTROSTAFFA PORTA XB-XG-XV
28	OH1500A0	TUBO ESTERNO UMIDITA' SERIE XB-XV
31	OM1005A2	CASSETTO RACCOGLI GOCCIE XV303/703G
32	2H070	PROFILO FERMA TUBO UMIDITA' LAVATO
33	2H072	OMEGA DOPPIO FERMATUBO UM. XV401/501/XG410
34	CE1000C0	CAVO COLL. SCHEDA POT-CONTR 4 FILI VERS. 2003 UL CSA CON
35	CE1005B0	CAVO COLLEG. SCHEDA-CONNETT.DB9F RS232 VERS. 2003
36	CE212	MORSETT. 5FK/7FTW GV V0 00160593
37	CR045	CERN.DX INOX XV-XL-XB
38	CR046	CERN.SX INOX XV-XL-XB
39	ED1070A0	ETICHETTA UNOX ELLISSE 78x33 ARGENTO CON BORDO EST.
40	EL1055A0	RIDUZIONE J.G. DA D=10 A D=8 PM201008E
41	EL1125A0	PASSAPARETE ø8
42	EL1160A0	ELETT. DOPPIA ATT. J.GUEST INCORPORATO CON RID.ROSSO TA
43	GN006A	GUARN.PORTA FREDDA A BAND. PTFE CAR/CARB Sp=1mm
44	GN100	PROFILO PORTA SIL NERO P346 XT
45	GN1000B0	GUARNIZIONE NERA 50 SHORE FORNI XB-XG-XV
46	GN1010A0	GUAR.PTFE+CARB NUOVO SCARICO ø42x28,5x2
47	GN102	PROFILO PORTA SIL NERO C121 XT
48	GN1045A0	GUARN.ANTIVIBR. CAMINO-SCARICO ø131-øe39,9-Sp=7,5
49	GN1055A0	OR 46x2 VMQ 70 ROSSO
50	GN1065A1	GUARNIZIONE PORTALAMPADA DE=53.2 DI=44.2 SP=3.2 PTFE P
51	GN1140A0	GUARNIZIONE PORTAMOTORE STAMP. ALBERO MOT. D10 XB-X
52	GN224	GUARN.PTFE+CARB 100x22x0,8sp-c/fori 1999
53	GRL1045A1	GRIGIA LAT. DX/SX INOX 5TG GN
55	MG1000A0	NUOVA MANIGLIA STANDARD

56	MN121A	MANOPOLA CON INDICE NON SERIGRAFATO '04
57	PD061A	PIEDINO M10 D=35 H=20 NERO OPACO
58	PE1010B1	SCHEDA DI POTENZA LINEA PROFESSIONAL VER. 2003.NET
59	PE102	SUPPORTO PER SCHEDA 24POT98
60	PE1050B2	CONTROLLO VERTICALE COMPLETO GASTRONOMIA
61	RC1000B0	BOCCOLA INOX SUPP. VETRO STANDAR
62	RC1035A0	PERNO FILETTATO SUP.PORTA XB-XV-XG
63	RC1136A0	RACC.PORTA GIRANTE CON TUBO 0H1778A0 SALDATO
65	RC540	BOCCOLA BRONZO STAFFE SUPP. PORTA XV501
66	RS1050A0	RESISTENZA CIRCOLARE 3000W+2000W 230V INCOLOY 5 GIRI
67	TB008	TUBO PE 7,93x4,75 TRASPARENTE
68	TB1005A0	TUBO SIL. NERO 27x17 55/65 Sh
69	VE1135A0	ATTUATORE VENTURI 220V 50/60 Hz SERIE 2
70	TR1000A4	SONDA AL CUORE MANICO LISCIO
71	TR1005A2	SONDA DI TEMP. CON PASSAPARETE DOPPIA SALD AISI316L
72	TR255B	TERMOSTATO SIC.+UNIPOL.330°C Ty95H L=1300mm
73	VE1005A1	LAMPADA ALOGENA 40W 230V
74	VE1010A1	VETRO COPRILAMPADA TEMPERATO ANTISHOCK
75	VE1015A1	PORTA LAMPADA SERIE 2 PER LAMPADA ALOGENA
76	VE1020A0	MICROINTERRUTTORE PORTA MAGNETICO
77	VE1030A1	CALAMITA D=22,9mm PER MICROPORTA
78	VE1075A0	PRESSACAPO FV 268 RO
79	VE1095A0	TELERUTTORE GE 25A 230V 50/60 Hz CL01A400T6
80	VE1100A0	SCATOLA COPRI MORSETTIERA NYLON XBT/XVT
81	VE221	CONDENSICAR PRL 5uf 450V FASTON
82	VII030A2	TAPPO FRESATO PER NUOVO SCARICO
83	VII235A0	RONDELLA PIANA 50x28x4 INOX
84	VII245A0	DADO 3/4" H=10 INOX FISSAGGIO PORTA GIRANTE
85	VII515A1	SUPPORTO SONDA AL CUORE CON CAVA PER FILO INOX
86	VI524	RONDELLA 6x24x2 INOX
87	VM1005A0	COPRITESTA ROTONDO ABS NERO 40x2
88	VM250	MORSETT.A PETTINE
89	VNI000B0	MOTORE COND.5uf 200W ALB.M8 CONN.5 POLI
90	VNI025A2	VENTOLA D=196 H=61 38 PALE INOX DADO M8
91	VTI015A0	VETRO INT.654x771x6 TFL XV703G
92	VTI016A0	VETRO EST.SER.GRIGIO 620x770x4 BETFL XV703G

DESCRIPTION

1	OB1045A2	
2	OB1050A1	ENG-COLONNINA LATERALE SX INOX XV703G
3	OB1055A0	ENG-COLONNINA LATERALE SX INOX XV703G
4	OB1060A0	UPPER/LOWER STAINL.STEEL DOOR LISTEL SERIE XV303/703G
5	OD1025B0	STAINLESS STEEL COVER XV303/703G
6	OD1030C0	
7	OD1031C0	
8	OD1035B0	
9	OD1036B0	
10	OE1005C3	
11	OF1015C3	
12	OG1020B1	
13	OG1035B0	
14	2H032	WASHED METAL HOLDER FOR COOL DOOR
15	OH1005E0	
16	OH1015A1	UPPER BRACKET TO HOLD THE DOOR
17	OH1020A0	LOWER BRACKET TO HOLD THE DOOR
18	OH1021A0	LOWER BRACKET TO HOLD THE DOOR
19	OH1030A2	BOTTOM LID TO CLOSE CONTROL PANEL
20	OH1450A0	STAINLESS STEEL MUFFLE FRONT FACE ANGLE XB-XV-XG-L.M.
21	OH1050A2	
23	OH1065A0	NEW STANDARD CAVITY SUPPORT
24	OH1075A0	STAINLESS STEEL DRAIN PIPE ø30x1.5 SERIE XV
25	OH2010A0	MOTOR SUPPORT PROFILE XV303G/703G
26	OH1105A3	STAINLESS STEEL SAFE-DROP PROFILE XV303G/703G
27	OH1140A2	DOOR COUNTERSTIRRUP XB-XG-XV
28	OH1500A0	EXTERNAL HUMIDITY TUBE NEW LINE STAND
31	OM1005A2	DRIP TRAY XV303/XV703G
32	2H070	WASHED PROFILE TO HOLD HUMIDITY TUBE
33	2H072	DOUBLE BRACKET TO FIX WATER PIPE XV401/501/XG410
34	CE1000C0	CONNECTION CABLE POWER - CONTROL CARD 4 WIRES VERS. 20
35	CE1005B0	CONNECTION CABLE CONTROL-CONNETT.DB9F RS 232 VERS. 20
36	CE212	TERMINAL BOARD 5FK/7FTW GV V0 00160593
37	CR045	RIGHT STAINLESS STEEL HINGE XV-XL-XB
38	CR046	LEFT STAINLESS STEEL HINGE XV-XL-XB
39	ED1070A0	UNOX ELLIPTICAL STICKER 78x33-SILVER WITH EXTERNAL FRAME
40	EL1055A0	J.G. REDUCTION FROM D=10 TO D=8 PM201008E
41	EL1125A0	WALL PASSING SEAL ø8
42	EL1160A0	WATER DOUBLE ELECTROVALVE + J.G. CONN. INCL. W/ RED CAL
43	GN006A	COLD DOOR SEAL PTFE CAR/CARB Thickness=1mm
44	GN100	DOOR BLACK SEAL P346 XT
45	GN1000B0	BLACK DOOR SEAL 50 SHORE OVENS XB-XG-XV
46	GN1010A0	SEAL PTFE+CARB NEW DRAIN ø42x28,5x2
47	GN102	BLACK SILICON DOOR PROFILE C121 XT
48	GN1045A0	ANTIVIBR.SEAL FOR EX-HAUST CHIMNEY ø131-øe39,9-Sp=7,5
49	GN1055A0	OR 46x2 VMQ 70 RED
50	GN1065A1	SEAL FOR LAMP GLASS COVER (PURE PTFE) DE=53.2 DI=44.2 TH=
51	GN1140A0	MOTOR GASKET
52	GN224	PTFE+CARB 100x22x0,8sp-w/holes 1999 GASKET
53	GRL1045A1	RIGHT/LEFT LATERAL GRID STAINLESS STEEL 5 TRAYS GN 1/1
55	MG1000A0	NEW STANDARD HANDLE

56	MN121A	KNOB WITH NON SERIGRAPHED INDEX '04
57	PD061A	SMALL FOOT M10 D=35 H=20 BLACK OPAQUE
58	PE1010B1	PROFESSIONAL POWER CARD VER. 2003.NET
59	PE102	SUPPORT FOR CARD 24POT98
60	PE1050B2	COMPLETE VERTICAL CONTROL GASTRONOMY
61	RC1000B0	STAINLESS STEEL UPPER BUSHING FOR GLASS
62	RC1035A0	THREADED DOOR TOP XB-XV-XG
63	RC1136A0	ROTOR SUPPORT CONNECTION WITH WELDED TUBE 0H1778A0
65	RC540	BRONZE BUSHING FOR STIRRUP TO HOLD DOOR XV501
66	RS1050A0	CIRC.HEAT.ELEMENT 3000W+2000W 230 V INCOLOY 5 RODS
67	TB008	TRANSPARENT TUBE PE 7,93x4,75
68	TB1005A0	BLACK SILICONE PIPE 27x17 55/65 Sh
69	VE1135A0	VENTURI ACTUATOR 220 V 50/60 Hz SERIES 2
70	TR1000A4	
71	TR1005A2	TEMPERATE PROBE WITH WALL PASSING NUT-DOUBLE WELDING
72	TR255B	SAFETY THERMOSTAT+UNIPOL. 330°C Ty95H L=1300mm
73	VE1005A1	HALOGEN LAMP 40W
74	VE1010A1	TEMPERED LIGHT BULB GLASS COVER
75	VE1015A1	LAMP HOLDER SERIE 2 FOR HALOGEN LAMP
76	VE1020A0	MAGNETIC DOOR MICROSWITCH
77	VE1030A1	MAGNET FOR DOOR MICROSWITCH D=22,9mm
78	VE1075A0	CABLE PRESS FV 268 RO
79	VE1095A0	REMOTE CONTROL SWITCH GE 25A 230V 50/60 Hz CL01A400T6
80	VE1100A0	TERMINAL BOARD BLACK NYLON COVER XBT/XVT
81	VE221	ICAR CONDENSER PRL 5uf 450V FASTON
82	VII030A2	MILLED LID FOR NEW DRAIN PIPE
83	VII235A0	STAINLESS STEEL FLAT WASHER 50x28x4
84	VII245A0	STAINLESS STEEL 3/4" H=10 NUT TO FIX ROTATING ARM
85	VII515A1	STAINLESS STEEL CORE PROBE SUPPORT WITH CANAL FOR CABLE
86	VI524	STAINLESS STEEL WASHER 6x24x2
87	VM1005A0	ROUND HEAD COVER BLACK ABS 40x2
88	VM250	"COMB" TERMINAL BOARD
89	VNI000B0	MOTOR COND.5uf 200W ALB.M8 CONN.5 TERMINALS
90	VNI025A2	FAN D=196 H=61 38 BLADES STAINLESS STEEL NUT M8
91	VTI015A0	INTERNAL GLASS 645x771x6 TFL XV703G
92	VTI016A0	EXTERNAL GREY SER.GLASS 620x770x4 BETFL XV703G