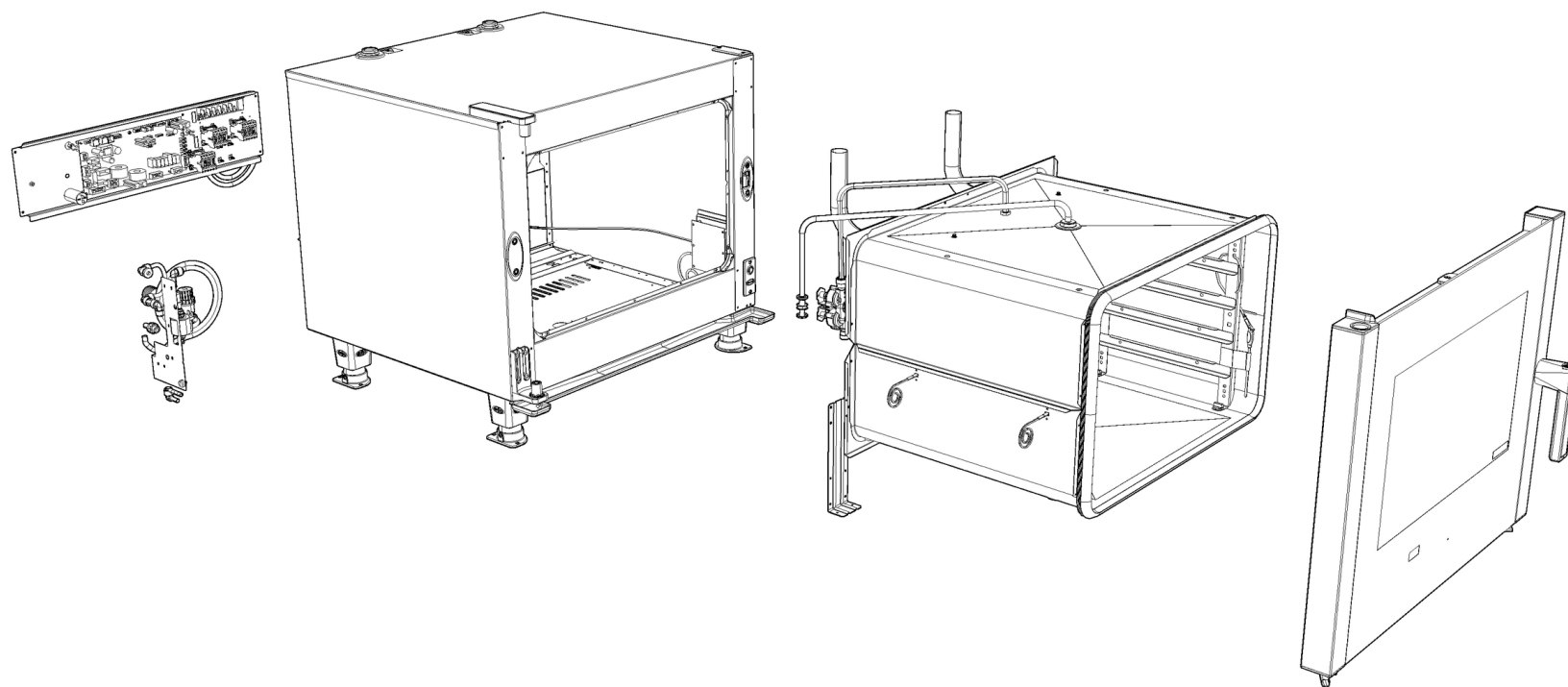
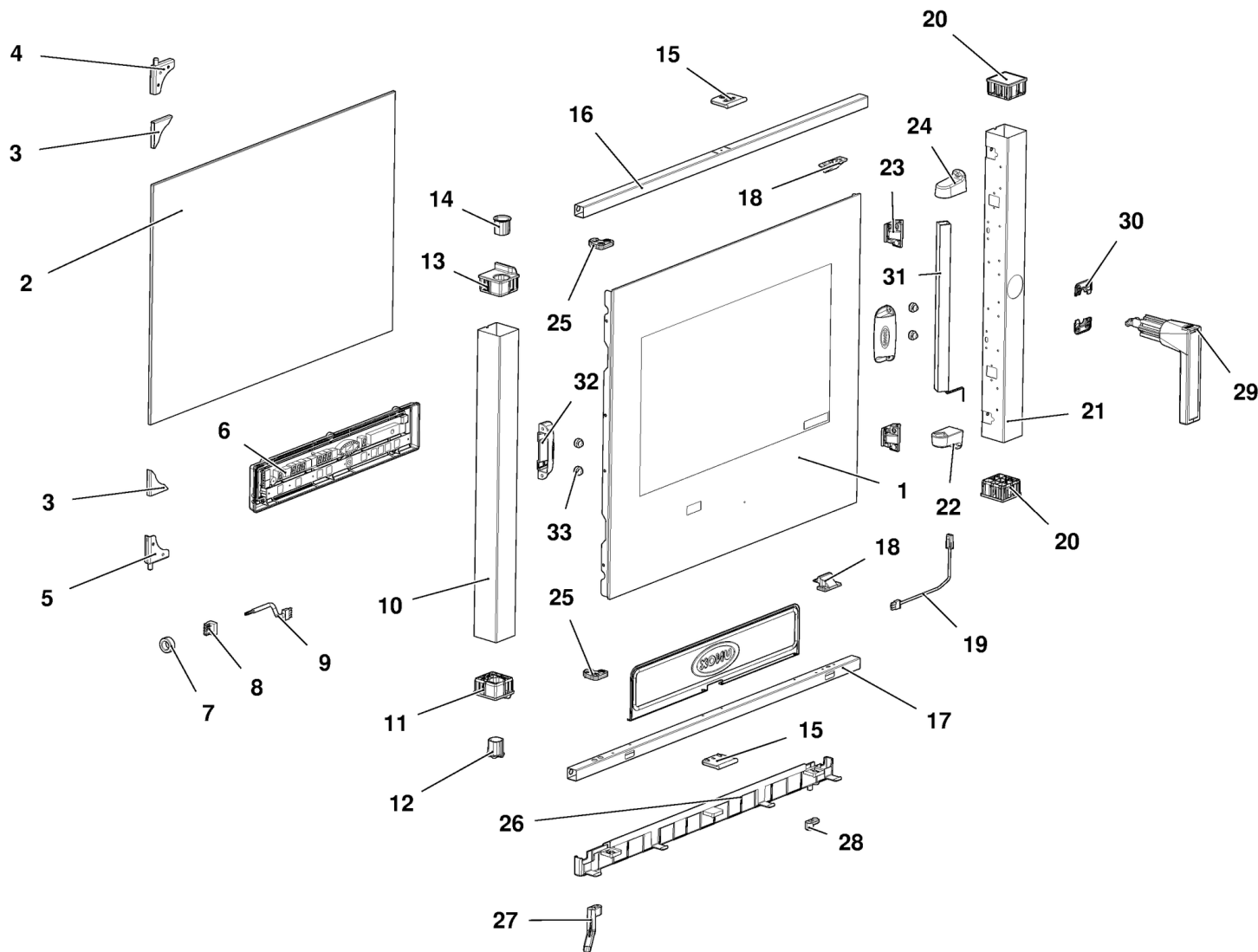


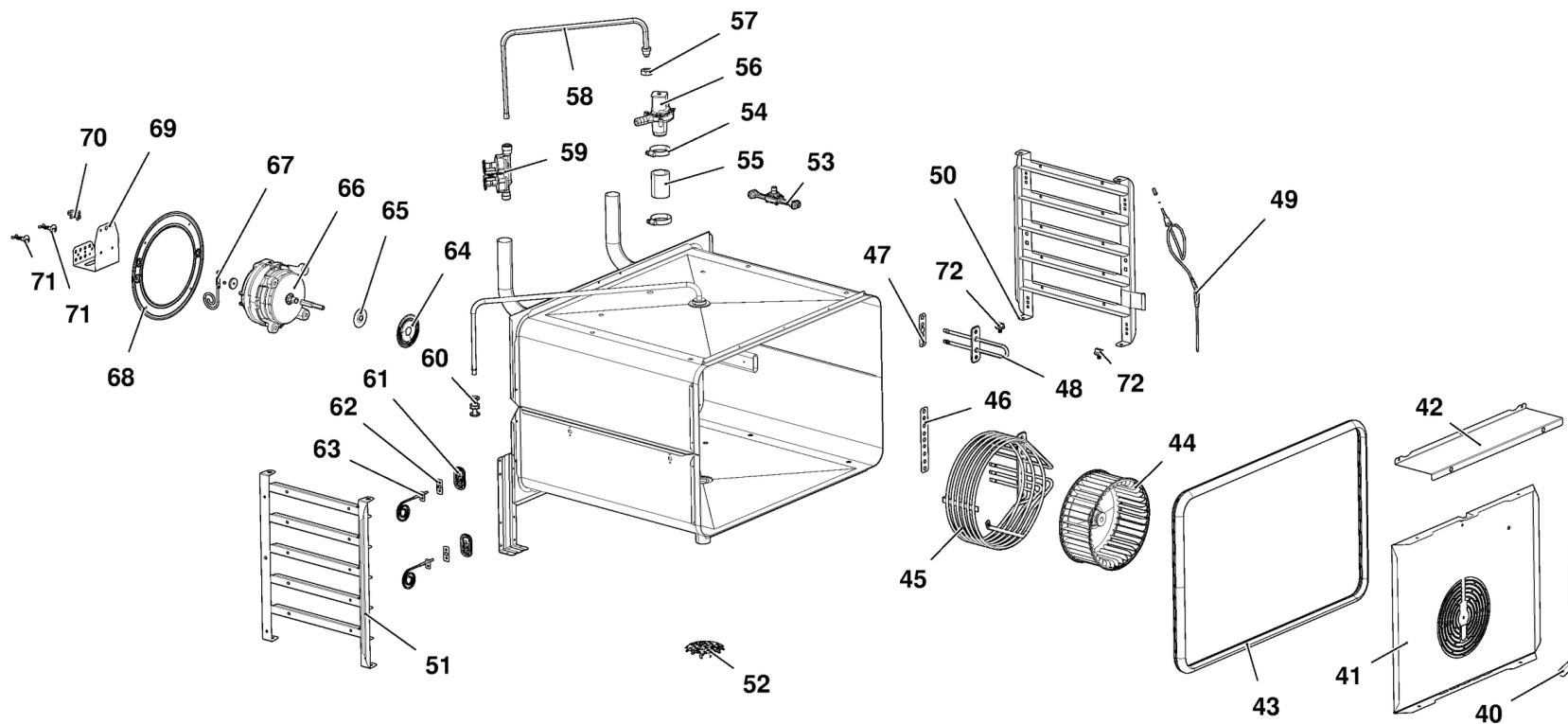
MOD:XVC305E



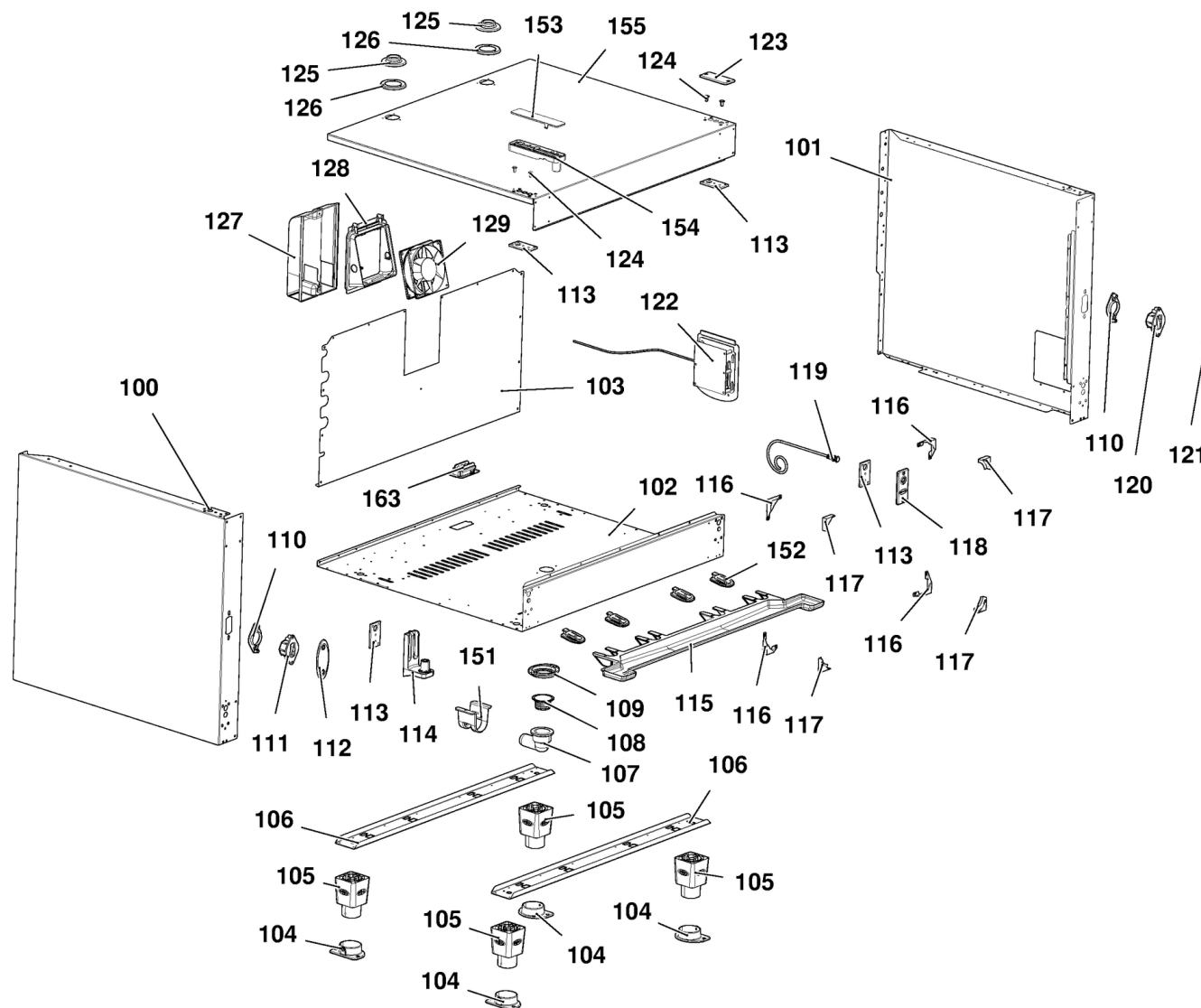
MOD:XVC305E



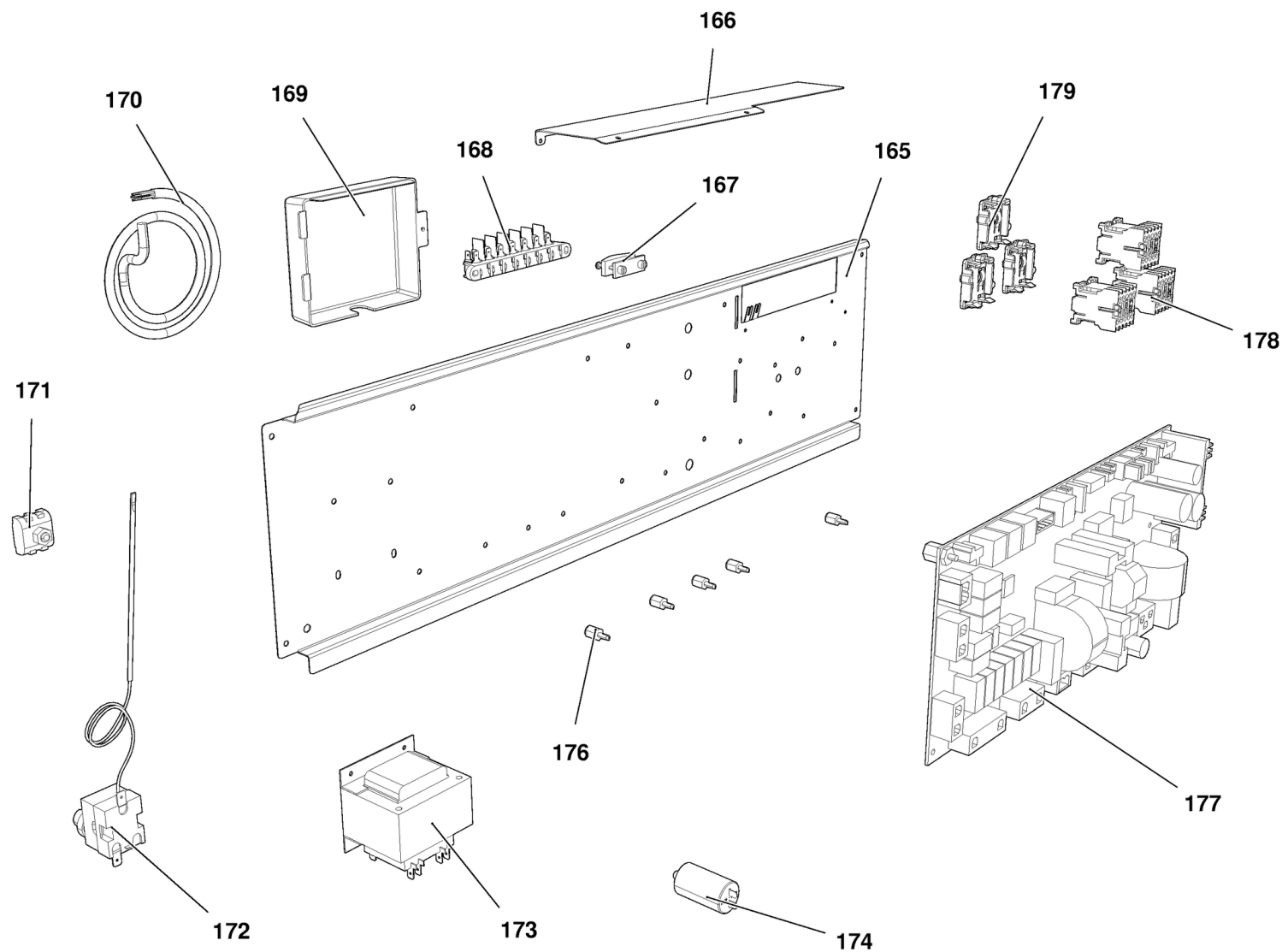
MOD:XVC305E



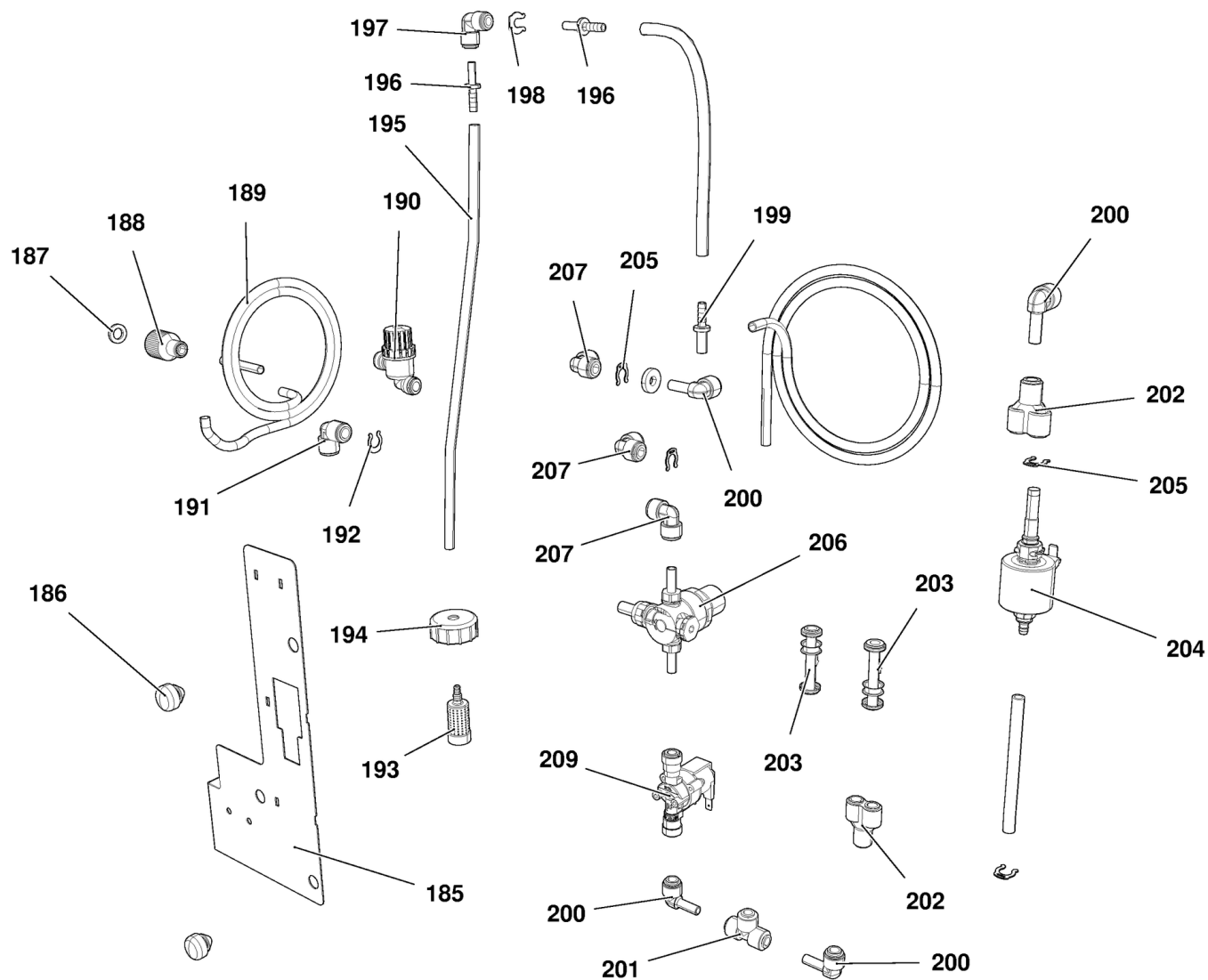
MOD:XVC305E



MOD:XVC305E



MOD:XVC305E



MOD:XVC305E



IT

Descrizione codici

1	VT1096B	VETRO ESTERNO SER. 647X555X4 CTFI
2	VT1095A	VETRO INTERNO 633X432X6 BETFL XVC
3	GN1181A	GUARNIZIONE CERN VETRO INT CR1085
4	CR1085A	CERNIERA VETRO INT INOX SUP
5	CR1086A	CERNIERA VETRO INT INOX INF
6	PE1740A	SCHEDA CONTROLLO PE1705 CT BT
7	CE1285A	FERRITE EMI ROUND MOD. 2643801502
8	CE1290A	MORSETTO FEMMINA ESTRAIBILE CPF 5
9	CE1275A	CAVO COLLEGAMENTO POTENZA CONTROL
10	TB1186A	COLONNINA SX XVC305 XBC405 50x50x
11	VM1171B	TAPPO FULCRO INF. PORTA XVC204/30
12	VM1510A	BOCCOLA SCANALATA PERNO PORTA XBC
13	VM1170B	TAPPO FULCRO SUP. PORTA XVC204/30
14	VM1511A	BOCCOLA LISCIA PERNO PORTA CHEFFT
15	VM2031A	PREMIVETRO ESTERNO
16	TB2325A	LISTELLO SUP. XVC305E/505E/705E 2
17	TB2326A	LISTELLO INF. XVC305E/505E/705E 2
18	VM2043A	SUPPORTO VETRO SUP - INF
19	CE1665A	CAVO ALIMENTAZIONE BARRA LED 1 MT
20	VM1175A	TAPPO ESTETICO COLONNINA PORTA
21	TB2314A	COLONNINA DX XVC305E-XBC405E 50x5
22	VM1620A	SUPPORTO INF BARRA LED
23	VM2042A	ASSIEME CHIUSURA VETRO INTERNO LA
24	VM1621A	SUPPORTO SUP BARRA LED
25	VM1680A	CERNIERA APERTURA VETRO INTERNO
26	VM1616A	PROFILO SALVAGOCIA 300/500/700
27	VM2014A	TUBO PER PROFILO RACCOGLI GOCCE S
28	VM2044A	TAPPO PER PROFILO RACCOGLI GOCCE
29	VM1180B	IMPUGNATURA MANIGLIA CT BT
30	VM1490A	COPRI VITI MANIGLIA CHEFTOP BAKER
31	LP1001B	BARRA ILLUMINAZIONE LED L300

32	VM1591A	STAFFA SPINGIVETRO INTERNO XVC100
33	VM1630A	TAPPO PREMI VETRO INTERNO
40	TB2320A	TUBO UMIDITA' XVC305E/705E Ø16x1
41	OG1490A	CARTER ARIA XVC305E
42	OG1493A	DISTANZIALE CARTER XVC305E/705E
43	GN1389C	GN1006A-GUARNIZIONE PORTA XVC305E
44	VN1030A	VENTOLA D196 H81 39 PALE DADO M8
45	RS1205A	RES. CIRCOLARE 5600W 230V D230 6
46	GN1085A	GUARNIZIONE RESISTENZA 141x24 G6.
47	GN1326A	GUARNIZIONE RESISTENZA 71x19 G6.2
48	RS1215A	RES. PIANA 147W 105V D230 1 SPIRA
49	TR1040A	SONDA AL CUORE STAMPATA L=1320
50	GRL1220A	SUPPORTO LAT. DX 5 GN1/1 XVC305/3
51	GRL1221A	SUPPORTO LAT. SX 5 GN1/1 XVC305/3
52	OH2551A	TAPPO PER TUBO DI SCARICO LIQUIDI
53	VM1955B	CORPO GIRANTE LAVAGGIO
54	RC1378A	FASCETTA STRINGI TUBO ZINCATA
55	TB1956A	TB1520A-TUBO NERO EPDM L=50
56	VE1135A	ATTUATORE VENTURI 220V 50/60 Hz S
57	RC1170A	DADO M14 H=8 CH=22 INOX
58	TB1515A	TUBO EST. UMIDITA' + RC1165A0
59	EL1361A	ELETTROVALVOLA TRI-STADIO JG D8-D
60	EL1055A	RIDUZIONE INTERMEDIA D10-D8
61	VM1465A	COPERCHIO Sonda TEMPERATURA CHEFT
62	GN1285A	GUARNIZIONE Sonda DI TEMPERATURA
63	TR1105A	SONDA TEMPERATURA PT100 L1000
64	OH4305A	DISCO TENUTA ALBERO MOTORE INOX S
65	GN1140A	GUARNIZIONE PORTAMOTORE STAMP.
66	VN1130A	MOTORE FORNO 330W 230V 50/60HZ
67	PE1710A	SENSORE NUMERO GIRI MOTORE
68	OH3586A	LAMIERA PROTEZIONE MOTORE ZINCATO

69	OH4851A	STAFFA SUPPORTO CABLAGGI STD
70	RC1310A	FASCETTA RICCO 140X4 CON CLIP
71	VM1610A	CLIP TWIST LOCK DIAM. 7,6-10,2 MM
72	VM1820A	NOTTOLINO M6 CROMATO FISS. SUPPOR
100	OD2176A	FIANCO SX XVC305E
101	OD2177A	FIANCO DX XVC305E
102	OE1318A	FONDO ESTERNO XVC305E/505E/705E
103	OF1450A	SCHIENA XVC305E
104	PD1063A	STAFFA BLOCCAGGIO PIEDE CT BT
105	PD1066B	PIEDE H100 PLASTICA BICOMPONENTE
106	OH1019A	LAMIERA RINFORZO PIEDI H100 CT
107	VL1026A	CURVA PER TUBO DI SCARICO
108	GN1400A	GUARNIZIONE SIFONE
109	VM2039A	ANELLO FISSAGGIO CURVA DI SCARICO
110	VM1192A	COPERCHIO SCROCCO MANIGLIA CT BT
111	VM1191A	SCROCCO MANIGLIA SX CT BT
112	VM1461A	COPERCHIO SX SCROCCO PORTA XBC/XV
113	OH2560A	CONTROSTAFFA ZINCATA PORTA C.T.
114	VM1160B	STAFFA INFERIORE PORTA CT BT
115	VM1991A	CASSETTO RACCOGLI GOCCE 750
116	OH1450A	ANGOLO FACCIATA MUFFOLA INOX XB-X
117	VM1008A	ANGOLARE INT. SUPPORTO GUARNIZION
118	VM1201A	PIASTRINA SUPPORTO MICROPORTA MAG
119	VE1020A	MICROINTERRUTTORE PORTA MAGNETICO
120	VM1190A	SCROCCO MANIGLIA DX CT BT
121	VM1460A	COPERCHIO DX SCROCCO PORTA XBC/XV
122	PE1971B	ASM SCHEDA UNOX.LINK MODBUS RJ45+
123	VM1195A	PIASTRINA COPRIFORI XVC204/304/50
124	VM1240A	TAPPO NYLON SUPPORTO CONTROSTAFFA
125	GN1275A	GUARNIZIONE CAMINO SILICONE NERO
126	OH3790A	LAMIERA TENUTA CAMINO

127	VM1556A	PROTEZIONE VENTOLA RAFFREDDAMENTO
128	VM1555A	SUPPORTO VENTOLA RAFFREDDAMENTO C
129	VN1163A	VENTOLA RAFFREDDAMENTO 230V
151	VM2035A	SUPPORTO PER TUBO DI SCARICO
152	VM2074A	CLIP CON VITE PER SUPPORTO CASSET
153	VM1166A	COPERCHIO STAFFA SUPERIORE PORTA
154	VM1165B	STAFFA SUPERIORE PORTA CT BT
155	OD2175A	COPERCHIO XVC305E/505E/705E
163	VM2061A	PASSAPARETE CAVI ACCESSORI COMPLE
165	OH7047A	PROFILO PORTA COMP XVC305E/505E-E
166	OH7078A	PROFILO PROTEZIONE SCHEDA POTENZA
167	VE1075A	PRESSACAVO FV 268 RO+VITI FISSAGG
168	MR1004A	MORSETT. 7FTW GV VO VL CU 1+2+3/4
169	VM1310A	SCATOLA COPRI MORSETTIERA XB/XV/X
170	CE1355A	CAVO 5X2,5MMQ H07RN-F L=1,5MT
171	VM1750A	MORSETTIERA A PETTINE
172	TR1136A	TERMOSTATO SIC. UNIP. 330°C
173	VE1026A	TRASFORMATORE 230-21-12Vac 90VA
174	CN1003A	CONDENSATORE CORAZZATO 6,3 uF
176	VM1745A	SUPPORTO PER SCHEDA
177	PE1725E	SCHEDA POTENZA FORNI CT-BT 55.E
178	VE1115A	MINICONTATTORE QUADRIPOLORE 20 A
179	VM1056A	STAFFA TELERUTTORE PICCOLO VE1115
185	OH6413A	SUPPORTO IMPIANTO IDRICO
186	VM1630A	TAPPO PREMI VETRO INTERNO
187	GN1200A	GUARNIZIONE D=24 RACCORDO 3/4 GOM
188	RC1365A	RACCORDO JG FEMMINA 3/4"-10
189	TB2237A	TUBO Ø10 ALLACCIAMENTO RETE
190	VL1034A	FILTRO ACQUA Ø10 MESH100
191	RC1360A	RACCORDO GOMITO JG 10-10
192	EL1349A	CLIP BLOCCA PINZETTA RACCORDI D10

193	VL1044B	FILTRO RETINATO CON AFFONDANTE
194	VL1041B	TAPPO DETERGENTE FORATO Ø11
195	TB2242B	TUBO PVC 9X6
196	VL1046A	PORTAGOMMA D6-CODOLO D6
197	RC1373A	RACCORDO GOMITO Ø6F-Ø6F
198	EL1348A	CLIP BLOCCA PINZETTA RACCORDI D6
199	VL1047A	PORTAGOMMA D6-CODOLO D8
200	EL1195B	RACCORDO GOMITO D8F-D8M
201	EL1020A	RACCORDO INTERMEDIO "T" TUBO Ø8
202	EL1115B	RACCORDO Y D8
203	EL1180A	RACCORDO NON RITORNO Ø8 Ø8 FEMMIN
204	VL1038A	POMPA VIBRAZIONE
205	EL1345A	CLIP BLOCCA PINZETTA RACCORDI Ø8
206	VL1014A	RIDUTTORE DI PRESSIONE CON DISTRI
207	EL1185B	RACCORDO GOMITO D8F-D8F
208	TB2235A	ROCCETTO DETERGENTE TUBO Ø8
209	EL1411A	ELETTROVALVOLA H2O CON CHECK VALV

MOD:XVC305E



EN

Codes descriptions

1	VT1096B	XVC305 EXTERNAL GLASS 647X55X4
2	VT1095A	INNER GLASS 633X432X6 BETFL XVC30
3	GN1181A	INTERNAL GLASS HINGE SEAL
4	CR1085A	INTERNAL GLASS UPPER HINGE
5	CR1086A	INTERNAL GLASS LOWER HINGE
6	PE1740A	CT BT CONTROL BOARD PE1705 + BOAR
7	CE1285A	EMI ROUND FERRITE MOD.2643801502
8	CE1290A	EXTRACTABLE FEMALE TERMINAL CPF 5
9	CE1275A	CONNECTION CABLE POWER - CONTROL
10	TB1186A	XVC305 XBC405 ST. ST. LEFT DOOR C
11	VM1171B	DOOR LOWER FULCRUM CAP
12	VM1510A	XBC/XVC GROOVED DOOR PIN BUSHING
13	VM1170B	UPPER DOOR FULCRUM CAP
14	VM1511A	XBC/XVC SLEEK DOOR PIN BUSHING
15	VM2031A	EXTERNAL GLASS PUSHING PLATE
16	TB2325A	XVC305E/505E/705E UPPER LISTEL 20
17	TB2326A	XVC305E/505E/705E LOWER LISTEL 20
18	VM2043A	UPPER - LOWER GLASS SUPPORT
19	CE1665A	LED POWER SUPPLY 1 M CABLE
20	VM1175A	DOOR COLUMN BLANKING CAP
21	TB2314A	XVC305E-XBC405E 50x50x1.2 RIGHT C
22	VM1620A	LED BAR LOWER SUPPORT
23	VM2042A	INTERNAL GLASS LATERAL LOCKING SY
24	VM1621A	LED BAR UPPER SUPPORT
25	VM1680A	INTERNAL GLASS HINGE
26	VM1616A	300/500/700 E SERIES DRIP PROFILE
27	VM2014A	LEFT DRIP PROFILE PIPE
28	VM2044A	DRIP PROFILE CAP
29	VM1180B	ChefTop/BakerTop HANDLE HAFT
30	VM1490A	CHEFTOP/BAKERTOP HANDLE SCREWS CO
31	LP1001B	LED LIGHTING BAR L300

32	VM1591A	GLASS BRACKET INT. XVC1004
33	VM1630A	INTERNAL GLASS PUSHING CAP
40	TB2320A	XVC305E/705E INTERNAL WATER PIPE
41	OG1490A	XVC305E FAN GUARD
42	OG1493A	XVC305E/705E FAN GUARD SPACER
43	GN1389C	GN1006A - XVC305E DOOR SEAL
44	VN1030A	MOTOR FAN D196 H81 39 BLADE NUT M
45	RS1205A	5600W 230V D230 6 TURNS HEATING E
46	GN1085A	HEATING ELEMENT GASKET 141x24 G6.
47	GN1326A	ELEMENT SEALING 70X22X0.8
48	RS1215A	147W 105V D230 1 TURN FLAT ELEMEN
49	TR1040A	MOLDED CORE PROBE L=1320
50	GRL1220A	5 GN1/1 ST. STEEL RIGHT LATERAL S
51	GRL1221A	5 GN1/1 ST. STEEL LEFT LATERAL SU
52	OH2551A	XBC/XVC ST.STEEL DRAIN COVER
53	VM1955B	WASHIG SYSTEM ROTOR
54	RC1378A	HOSE CLAMP
55	TB1956A	TB1520A - EPDM BLACK PIPE L=50
56	VE1135A	VENTURI ACTUATOR 220 V 50/60 Hz S
57	RC1170A	STAINLESS STEEL NUT M14 H=8 CH=22
58	TB1515A	EXTERNAL WATER PIPE + RC1165A0
59	EL1361A	J.G. THREE-STAGE SOLENOID VALVE D
60	EL1055A	INTERMEDIATE REDUCTION FROM D=10
61	VM1465A	CHEFTOP TEMPERATURE PROBE COVER
62	GN1285A	NTC TEMPERATURE PROBE SEALING
63	TR1105A	TEMPERATURE PROBE PT100 L1000
64	OH4305A	ST. STEEL MOTOR SHAFT SEALING DIS
65	GN1140A	MOLDED MOTOR SUPPORT GASKET
66	VN1130A	330W 230V 50/60HZ MOTOR
67	PE1710A	MOTOR REVOLUTIONS SENSOR
68	OH3586A	ZINCATE MOTOR GUARD PLATE XBC-XVC

69	OH4851A	BRACKET SUPPORT WIRING HARNESS ST
70	RC1310A	140x4 CLAMP WITH CLIP
71	VM1610A	CLIP TWIST LOCK DIAM. 7,6-10,2 MM
72	VM1820A	LATERAL SUPPORTS M6 FIXING BOLTS
100	OD2176A	XVC305E EXTERNAL LEFT SIDE
101	OD2177A	XVC305E RIGHT SIDE
102	OE1318A	XVC305E/505E/705E EXTERNAL BOTTOM
103	OF1450A	XVC305E EXTERNAL BACK PANEL
104	PD1063A	CT BT FOOT STOP BRACKET
105	PD1066B	BI-COMPONENT FOOT H100
106	OH1019A	BRACKET FOR CHEFTOP H100 FEET
107	VL1026A	BEND FOR DRAIN PIPE
108	GN1400A	U-TRAP SEAL
109	VM2039A	DRAIN BEND FIXING RING
110	VM1192A	CT BT DOOR SPRING LATCH COVER
111	VM1191A	CT BT LEFT DOOR SPRING LATCH
112	VM1461A	XBC/XVC LEFT DOOR LATCH CAP
113	OH2560A	XBC/XVC ZINC PLAT. DOOR COUNTERBR
114	VM1160B	CT BT DOOR LOWER BRACKET
115	VM1991A	CHEFTOP E SERIES DRIP TRAY
116	OH1450A	XB-XV-XG ST. STEEL MUFFLE FRONT C
117	VM1008A	GASKET SUPPORT INTERNAL CORNER
118	VM1201A	MAGNETIC SUPPORT PLATE FOR DOOR M
119	VE1020A	MAGNETIC DOOR MICROSWITCH
120	VM1190A	CT BT RIGHT DOOR SPRING LATCH
121	VM1460A	XBC/XVC RIGHT DOOR LATCH CAP
122	PE1971B	UNOX.LINK MODBUS RJ45+USB
123	VM1195A	HOLES BLANKING PLATE XVC204/304/5
124	VM1240A	NYLON SUPPORT CAP
125	GN1275A	XBC/XVC BLACK CHIMNEY SEALING
126	OH3790A	CHIMNEY HOLDING PLATE

127	VM1556A	XBC-XVC COOLING FAN GUARD
128	VM1555A	CT BT COOLING DOWN FAN SUPPORT
129	VN1163A	COOLING FAN 230V
151	VM2035A	DRAIN PIPE SUPPORT
152	VM2074A	C.T. DRIP TRAY FIXING CLIP WITH S
153	VM1166A	CAP FOR DOOR UPPER STIRRUP XVC204
154	VM1165B	CT BT DOOR UPPER BRACKET
155	OD2175A	XVC305E/505E/705E EXTERNAL COVER
163	VM2061A	ACCESSORIES CABLES WALL PASSING
165	OH7047A	XVC305E/505E-EP/705E COMPONENTS H
166	OH7078A	POWER CARD PROTECTING PROFILE H70
167	VE1075A	WIRE CLAMP FV 268 RO + FIXING SCR
168	MR1004A	TERMINAL 7FTW GV V0 VL CU 1+2+3/4
169	VM1310A	COVER FOR TERMINAL BOX XB/XV/XVC/
170	CE1355A	CABLE 5 X 2,5 MMQ H07RNF L = 1,5
171	VM1750A	TERMINAL BOARD
172	TR1136A	SAFETY THERMOSTAT UNIP. 330°C
173	VE1026A	TRANSFORMER 230-21-12Vac 80VA
174	CN1003A	CONDENSER6,3 Uf
176	VM1745A	BOARD SUPPORT
177	PE1725E	E SERIES CHEFTOP-BAKERTOP POWER C
178	VE1115A	MINI CONTACTOR WITH 4 POLES 20 A 2
179	VM1056A	SUPPORT MINI CONTACTOR VE1115A
185	OH6413A	WATER SYSTEM SUPPORT
186	VM1630A	INTERNAL GLASS PUSHING CAP
187	GN1200A	3/4 CONNECTION SEAL D=24 RUBBER+N
188	RC1365A	3/4"-10 JG FEMALE CONNECTION
189	TB2237A	Ø10 WATER MAIN CONNECTION PIPE
190	VL1034A	Ø10 MESH100 WATER FILTER
191	RC1360A	10 - 10 JG ELBOW FITTING
192	EL1349A	CLIP TO FIX Ø10 mm CONNECTION JOI

193	VL1044B	HOLD DOWN WEIGHT WITH NET FILTER
194	VL1041B	DETERGENT CAP WITH Ø11 HOLE
195	TB2242B	WASHING SYSTEM PIPE 9x6
196	VL1046A	D6 PIPE HOLDER - D6 J.G. TERMINAL
197	RC1373A	Ø6F-Ø6F ELBOW FITTING
198	EL1348A	CLIP TO FIX Ø06 mm CONNECTION JOI
199	VL1047A	D6 PIPE HOLDER - D8 J.G. TERMINAL
200	EL1195B	D8F-D8M ELBOW CONNECTION
201	EL1020A	INTERMEDIATE "" CONNECTION Ø8
202	EL1115B	Y D8 CONNECTION
203	EL1180A	Ø8 Ø8 FEMALE NON-RETURN CONNECTIO
204	VL1038A	VIBRATION PUMP
205	EL1345A	CLIP TO FIX Ø08 mm CONNECTION JOI
206	VL1014A	PRESSURE REDUCER WITH DISTRIBUTOR
207	EL1185B	D8F-D8F ELBOW FITTING
208	TB2235A	Ø8 DETERGENT PIPE COIL
209	EL1411A	SOLENOID VALVE WITH CHECK VALVE