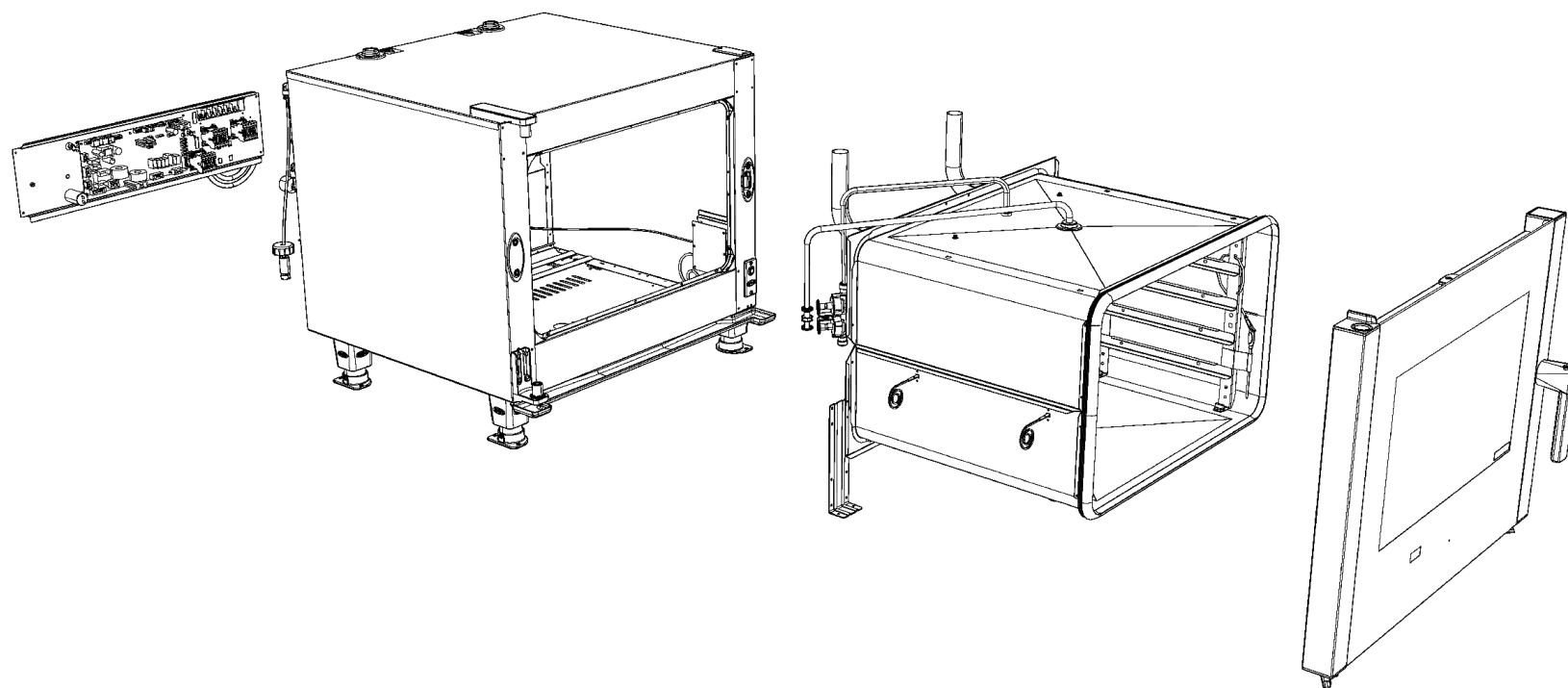
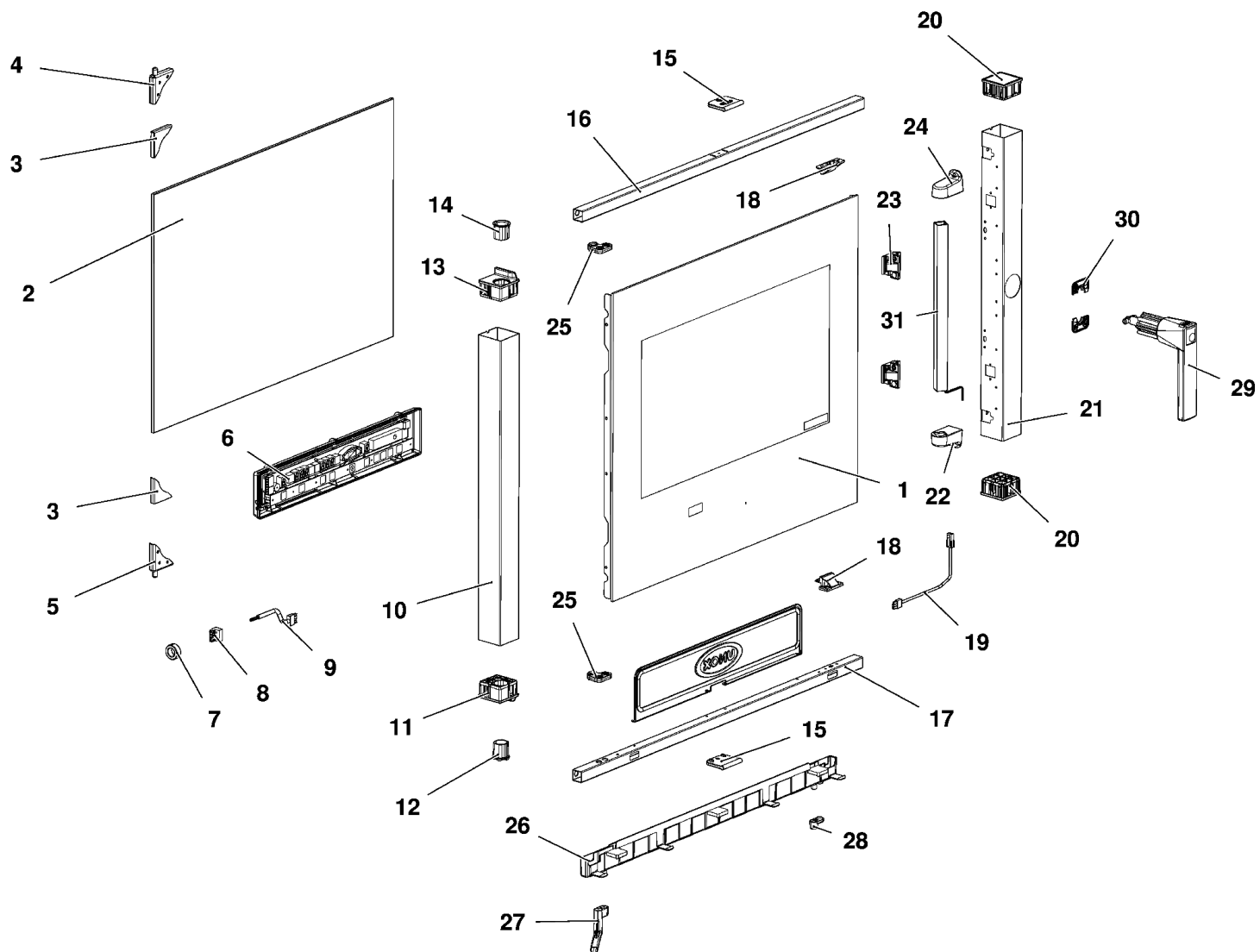


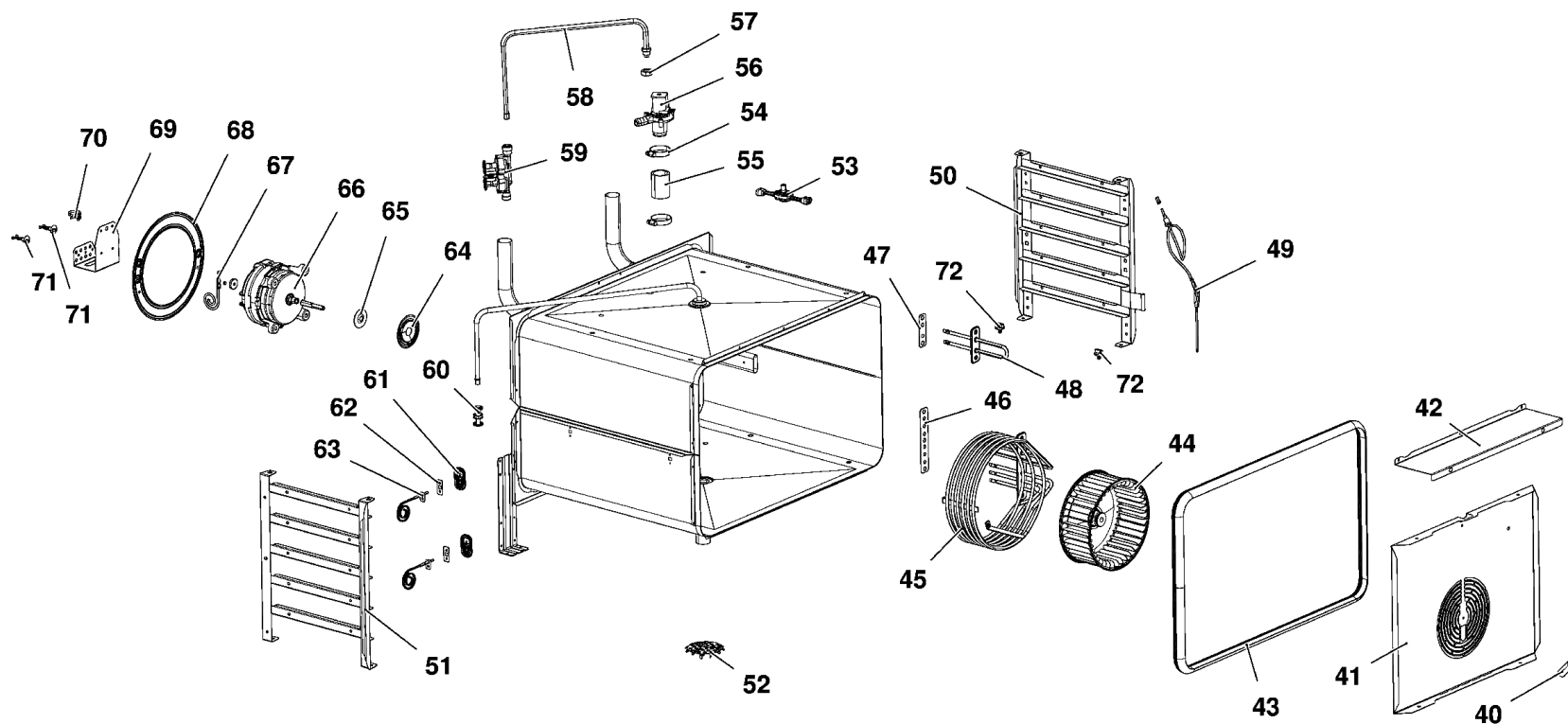
MOD:XVC305E



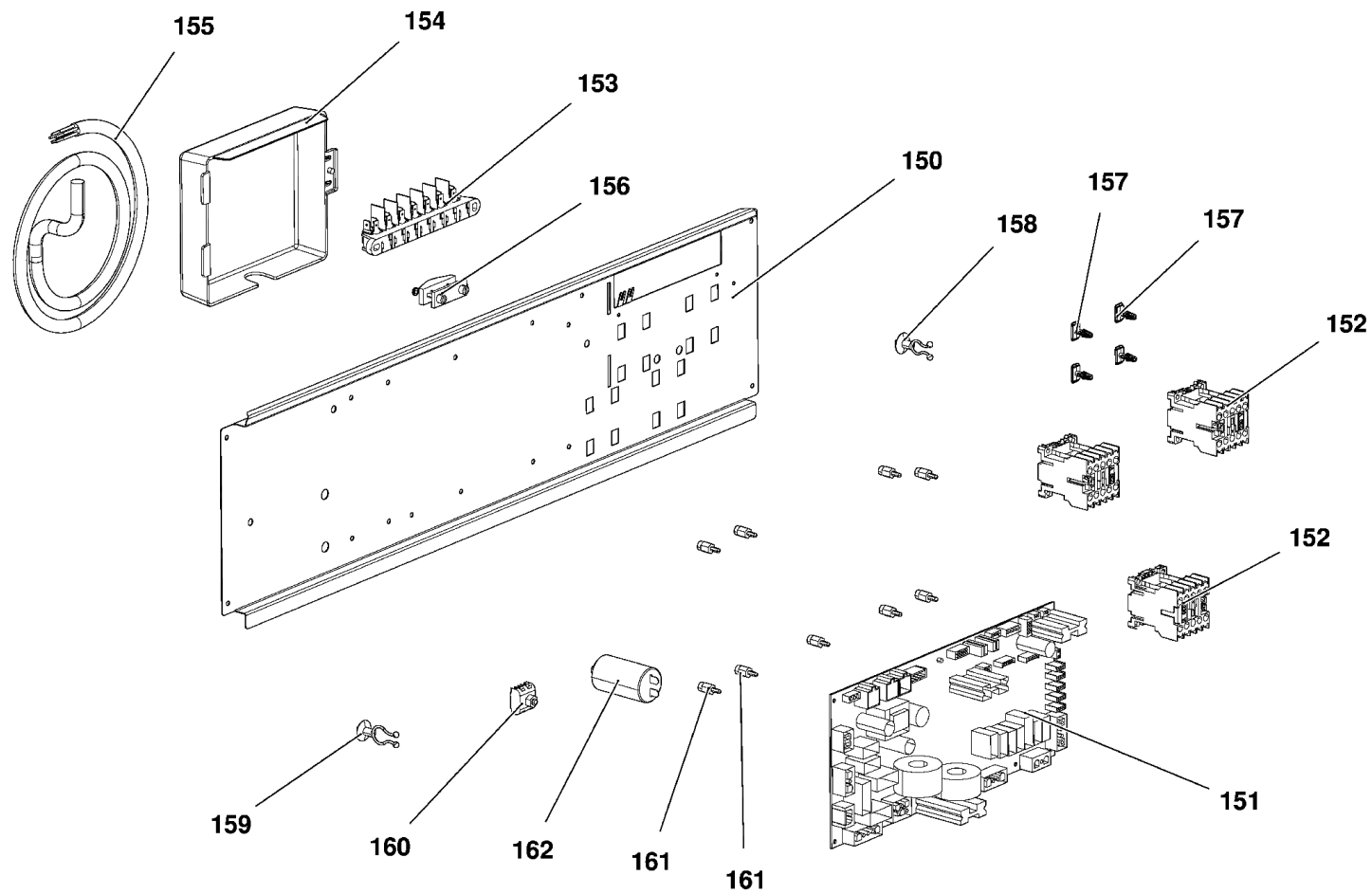
MOD:XVC305E



MOD:XVC305E



MOD:XVC305E



MOD:XVC305E



IT

Descrizione codici

1	VT1096B	VETRO ESTERNO SER. 647X555X4 CTFI
2	VT1095A	VETRO INTERNO 633X432X6 BETFL XVC
3	GN1181A	GUARNIZIONE CERN VETRO INT CR1085
4	CR1085A	CERNIERA VETRO INT INOX SUP
5	CR1086A	CERNIERA VETRO INT INOX INF
6	PE1740A	ASSIEME SCHEDA CONTROLLO PE1705
7	CE1285A	FERRITE EMI ROUND MOD. 2643801502
8	CE1290A	MORSETTO FEMMINA ESTRAIBILE CPF 5
9	CE1275A	CAVO COLLEGAMENTO POTENZA CONTROL
10	TB1186A	COLONNINA SX XVC305 XBC405 50X50X
11	VM1171B	TAPPO FULCRO INF. PORTA XVC204/30
12	VM1510A	BOCCOLA SCANALATA PERNO PORTA XBC
13	VM1170B	TAPPO FULCRO SUP. PORTA XVC204/30
14	VM1511A	BOCCOLA LISCIA PERNO PORTA CHEFFT
15	VM2031A	PREMIVETRO ESTERNO
16	TB2325A	LISTELLO SUP. XVC305E/505E/705E 2
17	TB2326A	LISTELLO INF. XVC305E/505E/705E 2
18	VM1896A	SUPPORTO VETRO INFERIORE
19	CE1665A	CAVO ALIMENTAZIONE BARRA LED 1 MT
20	VM1175A	TAPPO ESTETICO COLONNINA PORTA
21	TB2314A	COLONNINA DX XVC305E-XBC405E 50X5
22	VM1620A	SUPPORTO INF BARRA LED
23	VM2042A	ASSIEME CHIUSURA VETRO INTERNO LA
24	VM1621A	SUPPORTO SUP BARRA LED
25	VM1680A	CERNIERA APERTURA VETRO INTERNO
26	VM1616A	PROFILO SALVAGOCIA 300/500/700
27	VM2014A	TUBO PER PROFILO RACCOGLI GOCCE S
28	VM2044A	TAPPO PER PROFILO RACCOGLI GOCCE
29	VM1180A	IMPUGNATURA MANIGLIA XVC204/304/5
30	VM1490A	COPRI VITI MANIGLIA CHEFTOP BAKER
31	LP1001B	BARRA ILLUMINAZIONE LED L300

40	TB2320A	TUBO UMIDITA' XVC305E/705E Ø16X1
41	OG1490A	CARTER ARIA XVC305E
42	OG1493A	DISTANZIALE CARTER XVC305E/705E
43	GN1389B	GN1000B-GUARNIZIONE PORTA XVC304-
44	VN1030A	VENTOLA D196 H81 39 PALE DADO M8
45	RS1205A	RES. CIRCOLARE 5600W 230V D230 6
46	GN1085A	GUARNIZIONE RESISTENZA 141X24 G6.
47	GN1326A	GUARNIZIONE RESISTENZA 71X19 G6.2
48	RS1215A	RES. PIANA 147W 105V D230 1 SPIRA
49	TR1040A	SONDA AL CUORE STAMPATA L=1320
50	GRL1220A	SUPPORTO LATERALE DX INOX 5TG GN1
51	GRL1221A	SUPPORTO LATERALE SX INOX 5TG GN1
52	OH2551A	TAPPO PER TUBO DI SCARICO LIQUIDI
53	VL1037A	GIRANTE LAVAGGIO
54	RC1378A	FASCETTA STRINGI TUBO ZINCATA
55	TB1956A	TB1520A-TUBO NERO EPDM L=50
56	VE1135A	ATTUATORE VENTURI 220V 50/60 HZ 5
57	RC1170A	DADO M14 H=8 CH=22 INOX
58	TB1515A	TUBO EST. UMIDITA' + RC1165A0
59	EL1361A	ELETTROVALVOLA TRI-STADIO JG D8-D
60	EL1055A	RIDUZIONE INTERMEDIA D10-D8
61	VM1465A	COPERCHIO SONDA TEMPERATURA CHEFT
62	GN1285A	GUARNIZIONE SONDA DI TEMPERATURA
63	TR1105A	SONDA TEMPERATURA PT100 L1000
64	OH4305A	DISCO TENUTA ALBERO MOTORE INOX S
65	GN1140A	GUARNIZIONE PORTAMOTORE STAMP.
66	VN1130A	MOTORE FORNO 330W 230V 50/60HZ
67	PE1710A	SENSORE NUMERO GIRI MOTORE
68	OH3586A	LAMIERA PROTEZIONE MOTORE ZINCATO
69	OH4851A	STAFFA SUPPORTO CABLAGGI STD
70	RC1310A	FASCETTA RICHO 140X4 CON CLIP

71	VM1610A	CLIP TWIST LOCK DIAM. 7,6-10,2 MM
72	VM1820A	NOTTOLINO M6 CROMATO FISS. SUPPOR
80	OD2176A	FIANCO SX XVC305E
81	OD2177A	FIANCO DX XVC305E
83	OE1318A	FONDO ESTERNO XVC305E/505E/705E
84	OF1450A	SCHIENA XVC305E
85	PD1063A	STAFFA BLOCCAGGIO PIEDE CT BT
86	PD1060A	PARTE FISSA PIEDE CT BT
87	OH1019A	LAMIERA RINFORZO PIEDI H100 CT
88	VL1026A	CURVA PER TUBO DI SCARICO
89	GN1400A	GUARNIZIONE SIFONE
90	VM2039A	ANELLO FISSAGGIO CURVA DI SCARICO
91	VM1192A	COPERCHIO SCROCCO MANIGLIA CT BT
92	VM1191A	SCROCCO MANIGLIA SX CT BT
93	VM1461A	COPERCHIO SX SCROCCO PORTA XBC/XV
94	OH2560A	CONTROSTAFFA ZINCATA PORTA C.T.
95	VM1160B	STAFFA INFERIORE PORTA CT BT
96	VM1991A	CASSETTO RACCOGLI GOCCE 750
97	OH1450A	ANGOLO FACCIATA MUFFOLA INOX XB-X
98	VM1008A	ANGOLARE INT. SUPPORTO GUARNIZION
99	VM1201A	PIASTRINA SUPPORTO MICROPORTA MAG
100	VE1020A	MICROINTERRUTTORE PORTA MAGNETICO
101	VM1190A	SCROCCO MANIGLIA DX CT BT
102	VM1460A	COPERCHIO DX SCROCCO PORTA XBC/XV
103	PE1971A	ASSIEME RIARMO RJ45
104	VM1195A	PIASTRINA COPRIFORI XVC204/304/50
105	VM1240A	TAPPO NYLON SUPPORTO CONTROSTAFFA
106	GN1275A	GUARNIZIONE CAMINO SILICONE NERO
107	OH3790A	LAMIERA TENUTA CAMINO
108	VM1556A	PROTEZIONE VENTOLA RAFFREDDAMENTO
109	VM1555A	SUPPORTO VENTOLA RAFFREDDAMENTO C

110	VN1120B	VENTOLA RAFFREDDAMENTO 12V CABLAT
111	TB2242A	TUBO Ø6 LAVAGGIO 2M
112	RC1373A	RACCORDO GOMITO Ø6F-Ø6F
113	VL1043A	PORTAGOMMA D4-CODOLO D6
114	EL1195B	RACCORDO GOMITO D8F-D8M
115	EL1185B	RACCORDO GOMITO D8F-D8F
116	VM2029A	RONDELLA GOMMA 20X8X4
117	RC1374A	RACCORDO 1/4 M CIL- Ø8 M
118	VL1042A	RIDUTTORE PRESSIONE CON DISTRIBUT
119	VM2028A	RONDELLA GOMMA 20X10X4
120	VL1041A	TAPPO DETERGENTE
121	VL1044A	KIT FILTRO E AFFONDANTE
123	OH6413A	SUPPORTO IMPIANTO IDRICO
124	RC1360A	RACCORDO GOMITO JG 10-10
125	EL1411A	ELETTROVALVOLA H2O CON CHECK VALV
126	VL1038A	POMPA VIBRAZIONE
127	EL1020A	RACCORDO INTERMEDIO "T" TUBO Ø8
128	TB2235A	ROCCETTO DETERGENTE TUBO Ø8
129	VL1034A	FILTRO ACQUA Ø10 MESH100
130	RC1365A	RACCORDO JG FEMMINA 3/4"-10
131	GN1200A	GUARNIZIONE D=24 RACCORDO 3/4 GOM
132	VM1505A	PASSAPARETE CON DIAFRAMMA
133	VM2035A	SUPPORTO PER TUBO DI SCARICO
134	VM1220A	CLIP FISSAGGIO CASSETTO RACCOGLIG
137	VM1166A	COPERCHIO STAFFA SUPERIORE PORTA
138	VM1165B	STAFFA SUPERIORE PORTA CT BT
139	OD2175A	COPERCHIO XVC305E/505E/705E
140	VM1630A	TAPPO PREMI VETRO INTERNO
150	OH6456A	PROFILO PORTA COMP XVC305E/505E/7
151	PE1725D	SCHEDA POTENZA FORNI CT-BT SS.E
152	VE1115A	MINICONTATTORE QUADRIPOLORE 20 A

153	MR1004A	MORSETT. 7FTW GV V0 VL CU 1+2+3/4
154	VM1310A	SCATOLA COPRI MORSETTIERA XB/XV/X
155	CE1355A	CAVO 5X2,5MMQ H07RN-F L=1,5MT
156	VE1075A	PRESSACAPO FV 268 RO+VITI FISSAGG
157	VM1075A	CLIP DI FISSAGGIO PER TELERUTTORI
158	VM1610A	CLIP TWIST LOCK DIAM. 7,6-10,2 MM
159	VM1605A	CLIP TWIST LOCK DIAM. 10,2-12,7 M
160	VM1750A	MORSETTIERA A PETTINE
161	VM1745A	SUPPORTO PER SCHEDA
162	VE1110A	CONDENSATORE 6,3 7F 450VAC 50/60

MOD:XVC305E



EN

Codes descriptions

1	VT1096B	XVC305 EXTERNAL GLASS 647X555X4
2	VT1095A	INNER GLASS 633X432X6 BETFL XVC30
3	GN1181A	CR1085-1086 INTERNAL GLASS HINGE
4	CR1085A	INTERNAL GLASS UPPER HINGE
5	CR1086A	INTERNAL GLASS LOWER HINGE
6	PE1740A	CONTROL BOARD PE1705 + BOARD COVE
7	CE1285A	EMI ROUND FERRITE MOD.2643801502
8	CE1290A	EXTRACTABLE FEMALE TERMINAL CPF 5
9	CE1275A	CONNECTION CABLE POWER - CONTROL
10	TB1186A	XVC305 XBC405 ST. ST. LEFT DOOR C
11	VM1171B	XVC204/304/504/70 DOOR LOWER FULC
12	VM1510A	XBC/XVC GROOVED DOOR PIN BUSHING
13	VM1170B	DOOR UPPER FULCRUM-CAP XVC204/304
14	VM1511A	XBC/XVC SLEEK DOOR PIN BUSHING
15	VM2031A	EXTERNAL GLASS PUSHING PLATE
16	TB2325A	XVC305E/505E/705E UPPER LISTEL 20
17	TB2326A	XVC305E/505E/705E LOWER LISTEL 20
18	VM1896A	LOWER GLASS SUPPORT
19	CE1665A	LED 1 MT POWER SUPPLY CABLE
20	VM1175A	DOOR COLUMN BLANKING CAP XVC204/3
21	TB2314A	XVC305E-XBC405E 50X50X1.2 RIGHT C
22	VM1620A	LED BAR LOWER SUPPORT
23	VM2042A	INTERNAL LATERAL GLASS LOCKING SY
24	VM1621A	LED BAR UPPER SUPPORT
25	VM1680A	INTERNAL GLASS HINGE
26	VM1616A	300/500/700 E SERIES DRIP PROFILE
27	VM2014A	LEFT DRIP PROFILE PIPE
28	VM2044A	DRIP PROFILE CAP
29	VM1180A	HANDLE HAFT XVC204/304/504/704
30	VM1490A	CHEFTOP/BAKERTOP HANDLE SCREWS CO
31	LP1001B	LED LIGHTING BAR L300

40	TB2320A	XVC305E/705E INTERNAL WATER PIPE
41	OG1490A	XVC305E FAN GUARD
42	OG1493A	XVC305E/705E FAN GUARD SPACER
43	GN1389B	GN1000B - XVC304/305 DOOR SEAL
44	VN1030A	MOTOR FAN D196 H81 39 BLADE NUT M
45	RS1205A	5600W 230V D230 6 TURNS HEATING E
46	GN1085A	HEATING ELEMENT GASKET 141X24 G6.
47	GN1326A	ELEMENT SEALING
48	RS1215A	147W 105V D230 1 TURN FLAT ELEMEN
49	TR1040A	MOLDED CORE PROBE L=1320
50	GRL1220A	5 GN1/1 ST. STEEL RIGHT LATERAL S
51	GRL1221A	5 GN1/1 ST. STEEL LEFT LATERAL SU
52	OH2551A	XBC/XVC ST.STEEL DRAIN COVER
53	VL1037A	WASHING SYSTEM ROTOR
54	RC1378A	HOSE CLAMP
55	TB1956A	TB1520A - EPDM BLACK PIPE L=50
56	VE1135A	VENTURI ACTUATOR 220 V 50/60 HZ S
57	RC1170A	STAINLESS STEEL NUT M14 H=8 CH=22
58	TB1515A	EXTERNAL WATER PIPE + RC1165A0
59	EL1361A	J.G. THREE-STAGE SOLENOID VALVE D
60	EL1055A	INTERMEDIATE REDUCTION FROM D=10
61	VM1465A	CHEFTOP TEMPERATURE PROBE COVER
62	GN1285A	NTC TEMPERATURE PROBE SEALING
63	TR1105A	PT100 TEMPERATURE PROBE L1000
64	OH4305A	ST. STEEL MOTOR SHAFT SEALING DIS
65	GN1140A	MOLDED MOTOR SUPPORT GASKET
66	VN1130A	330W 230V 50/60HZ MOTOR
67	PE1710A	MOTOR REVOLUTIONS SENSOR
68	OH3586A	ZINCATE MOTOR GUARD PLATE XBC-XVC
69	OH4851A	BRACKET SUPPORT WIRING HARNESS ST
70	RC1310A	140X4 CLAMP WITH CLIP

71	VM1610A	CLIP TWIST LOCK DIAM. 7,6-10,2 MM
72	VM1820A	LATERAL SUPPORTS M6 FIXING BOLTS
80	OD2176A	XVC305E EXTERNAL LEFT SIDE
81	OD2177A	XVC305E RIGHT SIDE
83	OE1318A	XVC305E/505E/705E EXTERNAL BOTTOM
84	OF1450A	XVC305E EXTERNAL BACK PANEL
85	PD1063A	CT BT FOOT BLOCKING BRACKET
86	PD1060A	CT BT FOOT FIX COMPONENT
87	OH1019A	BRACKET FOR CHEFTOP H100 FEET
88	VL1026A	BEND FOR DRAIN PIPE
89	GN1400A	U-TRAP SEAL
90	VM2039A	DRAIN BEND FIXING RING
91	VM1192A	CT BT RIGHT DOOR SPRING LATCH COV
92	VM1191A	CT BT LEFT DOOR SPRING LATCH
93	VM1461A	XBC/XVC LEFT DOOR LATCH CAP
94	OH2560A	XBC/XVC ZINC PLAT. DOOR COUNTERBR
95	VM1160B	CT BT DOOR LOWER BRACKET
96	VM1991A	DRIP TRAY
97	OH1450A	XB-XV-XG ST. STEEL MUFFLE FRONT C
98	VM1008A	GASKET SUPPORT INTERNAL CORNER
99	VM1201A	MAGNETIC SUPPORT PLATE FOR DOOR M
100	VE1020A	MAGNETIC DOOR MICROSWITCH
101	VM1190A	CT BT RIGHT DOOR SPRING LATCH
102	VM1460A	XBC/XVC RIGHT DOOR LATCH CAP
103	PE1971A	RJ45 CONNECTION + RESET POINT
104	VM1195A	HOLES BLANKING PLATE XVC204/304/5
105	VM1240A	NYLON SUPPORT CAP
106	GN1275A	BLACK SILICON XBC/XVC CHIMNEY SEA
107	OH3790A	CHIMNEY HOLDING PLATE
108	VM1556A	XBC-XVC COOLING FAN GUARD
109	VM1555A	CT BT COOLING DOWN FAN SUPPORT

110	VN1120B	12V COOLING DOWN FAN
111	TB2242A	WASHING SYSTEM PIPE Ø6 2M
112	RC1373A	Ø6F-Ø6F ELBOW FITTING
113	VL1043A	D4 PIPE HOLDER - D6 J.G. TERMINAL
114	EL1195B	D8F-D8M ELBOW CONNECTION
115	EL1185B	D8F-D8F ELBOW FITTING
116	VM2029A	RUBBER WASHER 20X8X4
117	RC1374A	1/4 - Ø8 M CIL. FITTING
118	VL1042A	PRESSURE REDUCER WITH DISTRIBUTOR
119	VM2028A	RUBBER WASHER 20X10X4
120	VL1041A	DETERGENT CAP
121	VL1044A	HOLD DOWN WEIGHT WITH FILTER
123	OH6413A	WATER SYSTEM SUPPORT
124	RC1360A	10 - 10 JG ELBOW FITTING
125	EL1411A	SOLENOID VALVE WITH CHECK VALVE
126	VL1038A	VIBRATION PUMP
127	EL1020A	INTERMEDIATE "T" CONNECTION Ø8
128	TB2235A	Ø8 DETERGENT PIPE COIL
129	VL1034A	Ø10 MESH100 WATER FILTER
130	RC1365A	3/4"-10 JG FEMALE CONNECTION
131	GN1200A	3/4 CONNECTION SEAL D=24 RUBBER+N
132	VM1505A	WALL PASSING WITH DIAPHRAGM
133	VM2035A	DRAIN PIPE SUPPORT
134	VM1220A	CLIP TO FIX DRIP TRAY C.T.
137	VM1166A	CAP FOR DOOR UPPER STIRRUP XVC204
138	VM1165B	CT BT DOOR UPPER BRACHET
139	OD2175A	XVC305E/505E/705E EXTERNAL COVER
140	VM1630A	INTERNAL GLASS PUSHING CAP
150	OH6456A	XVC305E/505E/705E COMPONENTS HOLD
151	PE1725D	E SERIES CHEFTOP-BAKERTOP POWER C
152	VE1115A	MINI CONTACTOR WITH 4 POLES 20 A 2

153	MR1004A	TERMINAL 7FTW GV V0 VL CU 1+2+3/4
154	VM1310A	COVER FOR TERMINAL BOX XB/XV/XVC/
155	CE1355A	CABLE 5 X 2,5 MMQ H07RNF L = 1,5
156	VE1075A	CABLE PRESS FV 268 RO
157	VM1075A	PLASTIC CLIP TO FIX CONTACTORS
158	VM1610A	CLIP TWIST LOCK DIAM. 7,6-10,2 MM
159	VM1605A	CLIP TWIST LOCK DIAM. 10,2-12,7 M
160	VM1750A	TERMINAL BOARD
161	VM1745A	BOARD SUPPORT
162	VE1110A	CONDENSER 6,3 7F 450VAC 50/60HZ