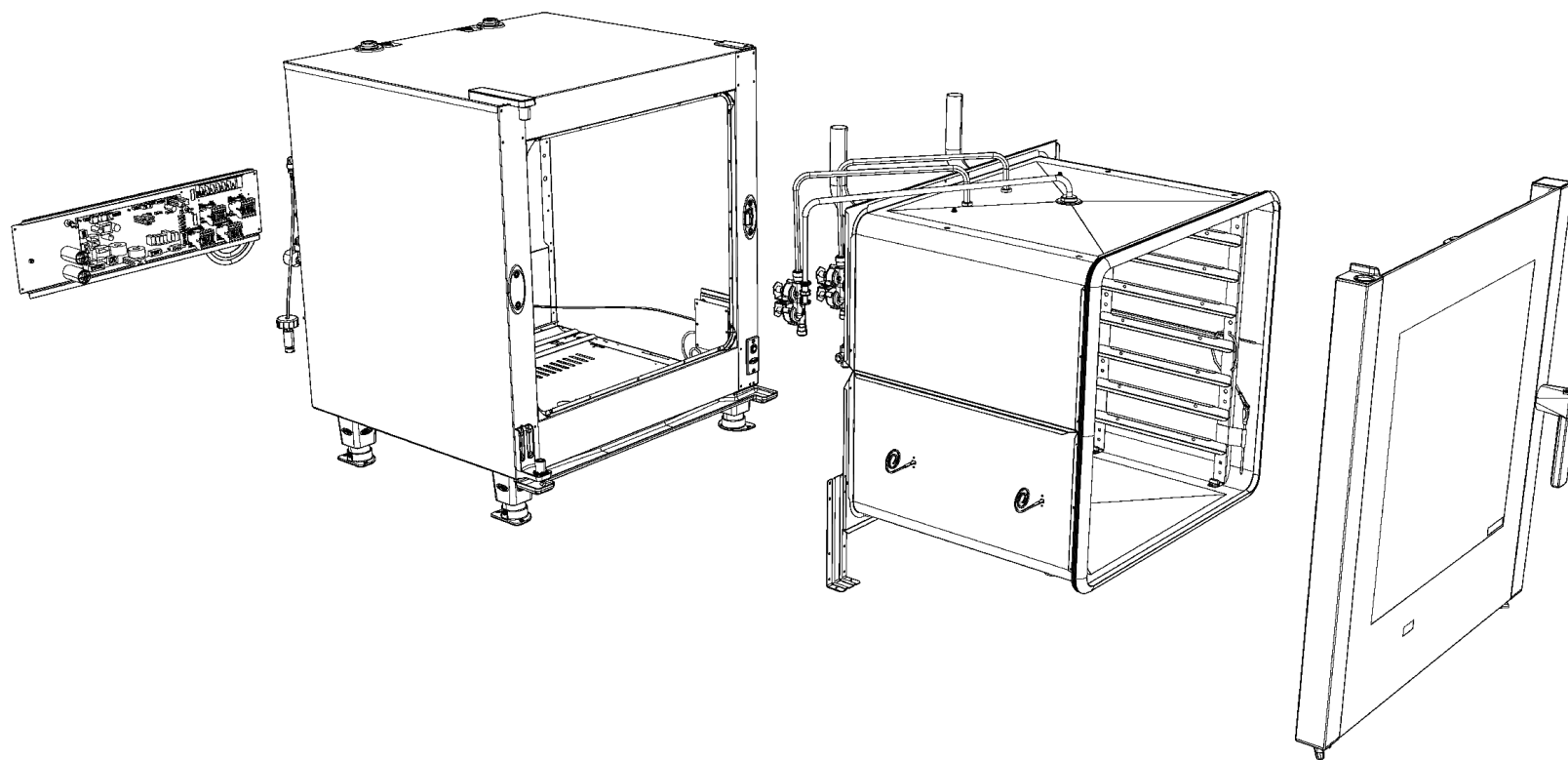
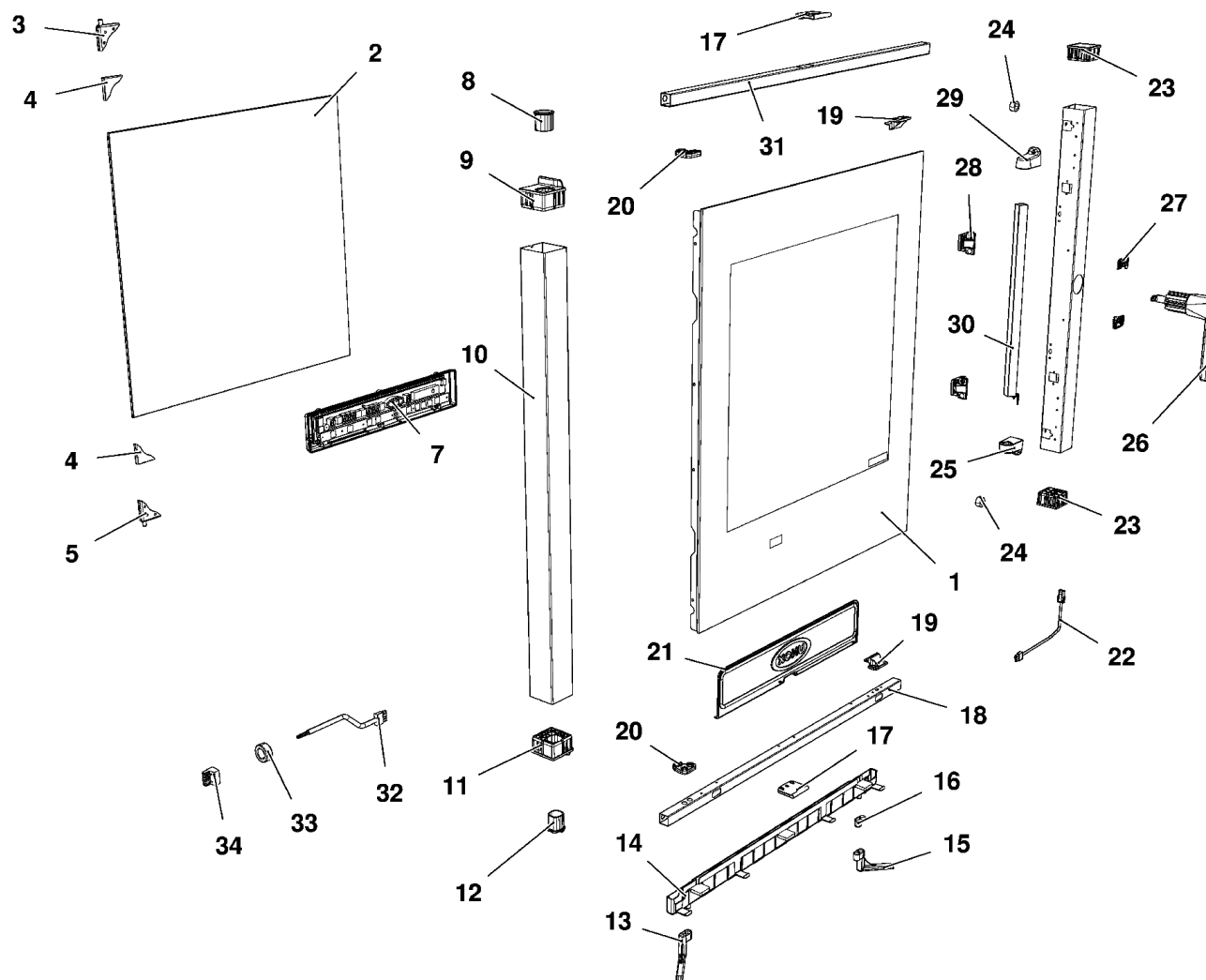


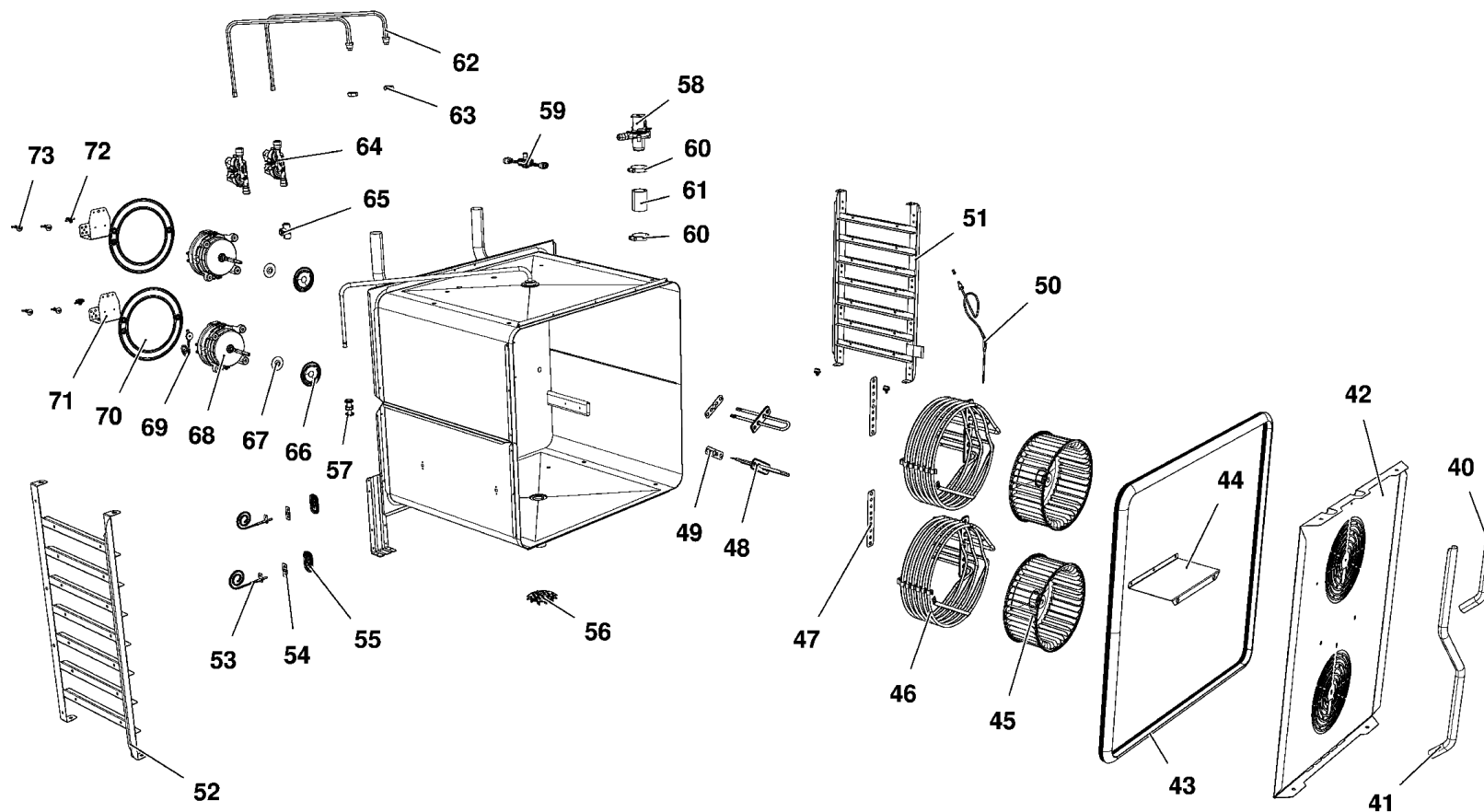
MOD:XVC505E



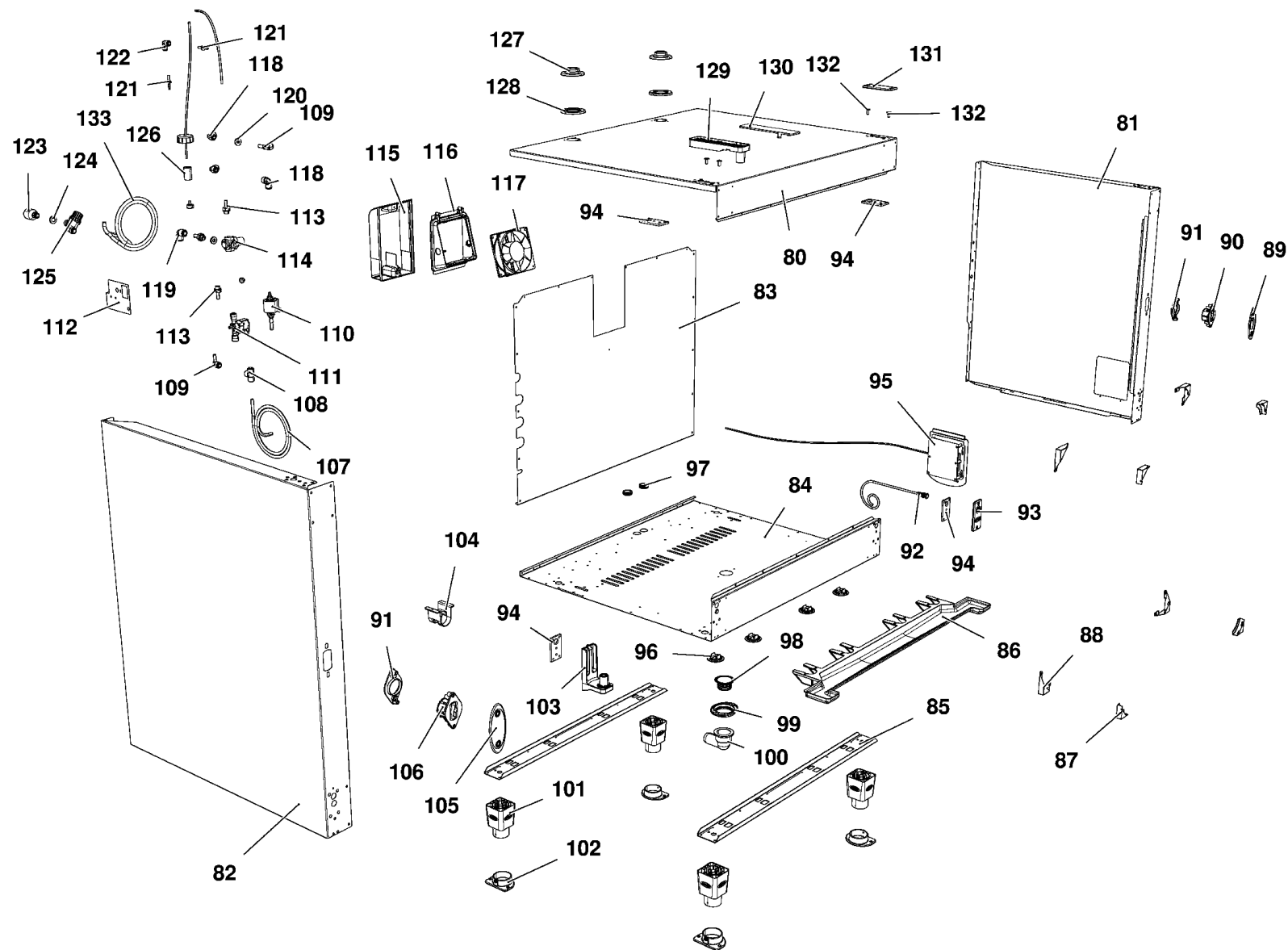
MOD:XVC505E



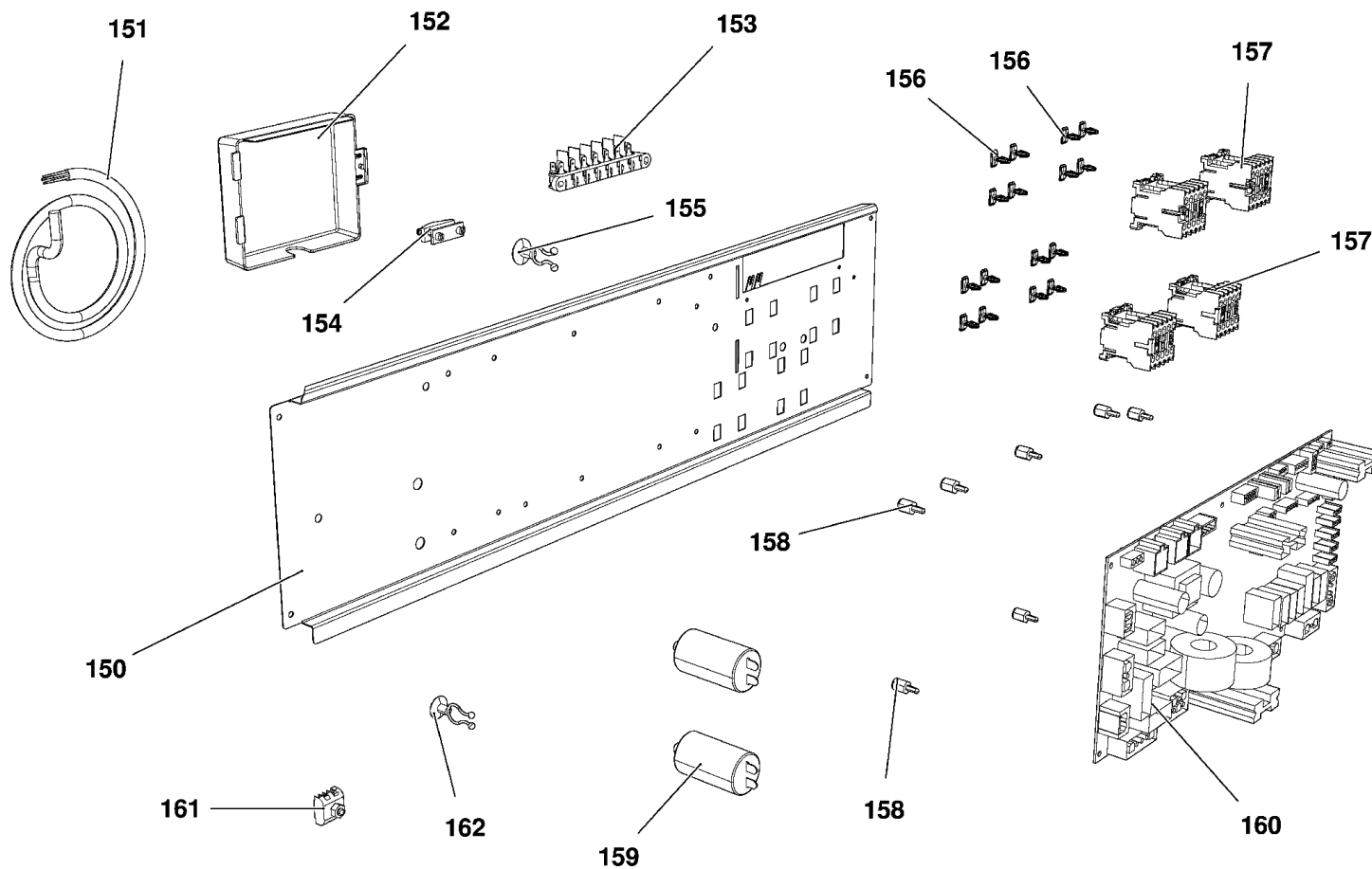
MOD:XVC505E



MOD:XVC505E



MOD:XVC505E



MOD:XVC505E



IT

Descrizione codici

1	VT1101B	VETRO ESTERNO SER. 647X743X4 CTFL
2	VT1100A	VETRO INTERNO 633X620X6 BETFL XVC
3	CR1085A	CERNIERA VETRO INT INOX SUP
4	GN1181A	GUARNIZIONE CERN VETRO INT CR1085
5	CR1086A	CERNIERA VETRO INT INOX INF
7	PE1740A	SCHEDA CONTROLLO PE1705 CT BT
8	VM1511A	BOCCOLA LISCIA PERNO PORTA CHEFFT
9	VM1170B	TAPPO FULCRO SUP. PORTA XVC204/30
10	TB1191A	COLONNINA SX XVC505 XBC605 50X50X
11	VM1171B	TAPPO FULCRO INF. PORTA XVC204/30
12	VM1510A	BOCCOLA SCANALATA PERNO PORTA XBC
13	VM2014A	TUBO PER PROFILO RACCOGLI GOCCE S
14	VM1616A	PROFILO SALVAGOCCIA 300/500/700
15	VM2015A	TUBO PER PROFILO RACCOGLI GOCCE D
16	VM2044A	TAPPO PER PROFILO RACCOGLI GOCCE
17	VM2031A	PREMIVETRO ESTERNO
18	TB2326A	LISTELLO INF. XVC305E/505E/705E 2
19	VM2043A	SUPPORTO VETRO SUP - INF
20	VM1680A	CERNIERA APERTURA VETRO INTERNO
21	OH4310A	PROFILO INOX PARACALORE CRUSCOTTO
22	CE1665A	CAVO ALIMENTAZIONE BARRA LED 1 MT
23	VM1175A	TAPPO ESTETICO COLONNINA PORTA
24	VE1030A	CALAMITA D=22,9MM PER MICROPORTA
25	VM1620A	SUPPORTO INF BARRA LED
26	VM1180A	IMPUGNATURA MANIGLIA XVC204/304/5
27	VM1490A	COPRI VITI MANIGLIA CHEFTOP BAKER
28	VM2042A	ASSIEME CHIUSURA VETRO INTERNO LA
29	VM1621A	SUPPORTO SUP BARRA LED
30	LP1002B	BARRA ILLUMINAZIONE LED L400
31	TB2325A	LISTELLO SUP. XVC305E/505E/705E 2
32	CE1310A	CAVO COLLEGAMENTO POTENZA CONTROL

33	CE1285A	FERRITE EMI ROUND MOD. 2643801502
34	CE1290A	MORSETTO FEMMINA ESTRAIBILE CPF 5
40	TB2321A	TUBO UMIDITA' CENTRALE XVC505E Ø1
41	TB2322A	TUBO UMIDITA' DX XVC505E Ø16X1
42	OG1491A	CARTER ARIA XVC505E
43	GN1390B	GN1000B-GUARNIZIONE PORTA XVC504-
44	OG1494A	DISTANZIALE CARTER XVC505E
45	VN1030A	VENTOLA D196 H81 39 PALE DADO M8
46	RS1225A	RES. CIRCOLARE 4700W 230V D230 6
47	GN1085A	GUARNIZIONE RESISTENZA 141X24 G6.
48	RS1215A	RES. PIANA 147W 105V D230 1 SPIRA
49	GN1326A	GUARNIZIONE RESISTENZA 71X19 G6.2
50	TR1041A	SONDA AL CUORE STAMPATA L=2000
51	GRL1225A	SUPPORTO LATERALE DX INOX 7TG GN1
52	GRL1226A	SUPPORTO LATERALE SX INOX 7TG GN1
53	TR1105A	SONDA TEMPERATURA PT100 L1000
54	GN1285A	GUARNIZIONE SONDA DI TEMPERATURA
55	VM1465A	COPERCHIO SONDA TEMPERATURA CHEFT
56	OH2551A	TAPPO PER TUBO DI SCARICO LIQUIDI
57	EL1055A	RIDUZIONE INTERMEDIA D10-D8
58	VE1135A	ATTUATORE VENTURI 220V 50/60 HZ S
59	VM1955A	CORPO GIRANTE LAVAGGIO
60	RC1378A	FASCETTA STRINGI TUBO ZINCATA
61	TB1956A	TB1520A-TUBO NERO EPDM L=50
62	TB1515A	TUBO EST. UMIDITA' + RC1165A0
63	RC1170A	DADO M14 H=8 CH=22 INOX
64	EL1361A	ELETTROVALVOLA TRI-STADIO JG D8-D
65	EL1020A	RACCORDO INTERMEDIO "T" TUBO Ø8
66	OH4305A	DISCO TENUTA ALBERO MOTORE INOX S
67	GN1140A	GUARNIZIONE PORTAMOTORE STAMP.
68	VN1130A	MOTORE FORNO 330W 230V 50/60HZ

69	PE1710A	SENSORE NUMERO GIRI MOTORE
70	OH3586A	LAMIERA PROTEZIONE MOTORE ZINCATO
71	OH4851A	STAFFA CABLAGGIO CT BT -
72	RC1310A	FASCETTA RICHCO 140X4 CON CLIP
73	VM1610A	CLIP TWIST LOCK DIAM. 7,6-10,2 MM
80	OD2175A	COPERCHIO XVC305E/505E/705E
81	OD2179A	FIANCO DX XVC505E
82	OD2178A	FIANCO SX XVC505E
83	OF1451A	SCHIENA XVC505E
84	OE1318A	FONDO ESTERNO XVC305E/505E/705E
85	OH1019A	LAMIERA RINFORZO PIEDI H100 CT
86	VM1991A	CASSETTO RACCOGLI GOCCE 750
87	VM1008A	ANGOLARE INT. SUPPORTO GUARNIZION
88	OH1450A	ANGOLO FACCIATA MUFFOLA INOX XB-X
89	VM1460A	COPERCHIO DX SCROCCO PORTA XBC/XV
90	VM1190A	SCROCCO MANIGLIA DX CT BT
91	VM1192A	COPERCHIO SCROCCO MANIGLIA CT BT
92	VE1020A	MICROINTERRUTTORE PORTA MAGNETICO
93	VM1201A	PIASTRINA SUPPORTO MICROPORTA MAG
94	OH2560A	CONTROSTAFFA ZINCATA PORTA C.T.
95	PE1967A	SCHEDA RIARMO R45
96	VM1220A	CLIP FISSAGGIO CASSETTO RACCOGLI
97	VM1505A	PASSAPARETE CON DIAFRAMMA
98	GN1400A	GUARNIZIONE SIFONE
99	VM2039A	ANELLO FISSAGGIO CURVA DI SCARICO
100	VL1026A	CURVA PER TUBO DI SCARICO
101	PD1066B	PIEDE H100 PLASTICA BICOMPONENTE
102	PD1063A	STAFFA BLOCCAGGIO PIEDE CT BT
103	VM1160B	STAFFA INFERIORE PORTA CT BT
104	VM2035A	SUPPORTO PER TUBO DI SCARICO
105	VM1461A	COPERCHIO SX SCROCCO PORTA XBC/XV

106	VM1191A	SCROCCO MANIGLIA SX CT BT
107	TB2235A	ROCCETTO DETERGENTE TUBO Ø8
108	EL1020A	RACCORDO INTERMEDIO "T" TUBO Ø8
109	EL1195B	RACCORDO GOMITO D8F-D8M
110	VL1038A	POMPA VIBRAZIONE
111	EL1411A	ELETTROVALVOLA H2O CON CHECK VALV
112	OH6413A	SUPPORTO IMPIANTO IDRICO
113	RC1374A	RACCORDO 1/4 M CIL- Ø8 M
114	VL1042A	RIDUTTORE PRESSIONE CON DISTRIBUT
115	VM1556A	PROTEZIONE VENTOLA RAFFREDDAMENTO
116	VM1555A	SUPPORTO VENTOLA RAFFREDDAMENTO C
117	VN1120B	VENTOLA RAFFREDDAMENTO 12V CABLAT
118	EL1185B	RACCORDO GOMITO D8F-D8F
119	RC1360A	RACCORDO GOMITO JG 10-10
120	VM2029A	RONDELLA GOMMA 20X8X4
121	VL1043A	PORTAGOMMA D4-CODOLO D6
122	RC1373A	RACCORDO GOMITO Ø6F-Ø6F
123	RC1365A	RACCORDO JG FEMMINA 3/4"-10
124	GN1200A	GUARNIZIONE D=24 RACCORDO 3/4 GOM
125	VL1034A	FILTRO ACQUA Ø10 MESH100
126	VL1044A	KIT FILTRO E AFFONDANTE
127	GN1275A	GUARNIZIONE CAMINO SILICONE NERO
128	OH3790A	LAMIERA TENUTA CAMINO
129	VM1165B	STAFFA SUPERIORE PORTA CT BT
130	VM1166A	COPERCHIO STAFFA SUPERIORE PORTA
131	VM1195A	PIASTRINA COPRIFORI XVC204/304/50
132	VM1240A	TAPPO NYLON SUPPORTO CONTROSTAFFA
133	TB2237A	TUBO Ø10 ALLACCIAMENTO RETE
150	OH6456A	PROFILO PORTA COMP XVC305E/505E/7
151	CE1355A	CAVO 5X2,5MMQ H07RN-F L=1,5MT
152	VM1310A	SCATOLA COPRI MORSETTIERA XB/XV/X

153	MR1004A	MORSETT. 7FTW GV V0 VL CU 1+2+3/4
154	VE1075A	PRESSACAVO FV 268 RO+VITI FISSAGG
155	VM1610A	CLIP TWIST LOCK DIAM. 7,6-10,2 MM
156	VM1075A	CLIP DI FISSAGGIO PER TELERUTTORI
157	VE1115A	MINICONTATTORE QUADRIPOLE 20 A
158	VM1745A	SUPPORTO PER SCHEDA
159	VE1110A	CONDENSATORE 6,3 7F 450VAC 50/60
160	PE1725D	SCHEDA POTENZA FORNI CT-BT SS.E
161	VM1750A	MORSETTIERA A PETTINE
162	VM1605A	CLIP TWIST LOCK DIAM. 10,2-12,7 M

MOD:XVC505E



EN

Codes descriptions

1	VT1101B	XVC505 EXTERNAL GLASS 647X743X4
2	VT1100A	INNER GLASS 633X620X6 BETFL XVC50
3	CR1085A	INTERNAL GLASS UPPER HINGE
4	GN1181A	CR1085-1086 INTERNAL GLASS HINGE
5	CR1086A	INTERNAL GLASS LOWER HINGE
7	PE1740A	CT BT CONTROL BOARD PE1705 + BOAR
8	VM1511A	XBC/XVC SLEEK DOOR PIN BUSHING
9	VM1170B	UPPER DOOR FULCRUM CAP
10	TB1191A	XVC505 XBC605 ST. STEEL LEFT DOOR
11	VM1171B	DOOR LOWER FULCRUM CAP
12	VM1510A	XBC/XVC GROOVED DOOR PIN BUSHING
13	VM2014A	LEFT DRIP PROFILE PIPE
14	VM1616A	300/500/700 E SERIES DRIP PROFILE
15	VM2015A	RIGHT DRIPPING PIPE
16	VM2044A	DRIP PROFILE CAP
17	VM2031A	EXTERNAL GLASS PUSHING PLATE
18	TB2326A	XVC305E/505E/705E LOWER LISTEL 20
19	VM2043A	UPPER - LOWER GLASS SUPPORT
20	VM1680A	INTERNAL GLASS HINGE
21	OH4310A	ST. STEEL HEAT-GUARD FOR CONTROL
22	CE1665A	LED POWER SUPPLY 1 M CABLE
23	VM1175A	DOOR COLUMN BLANKING CAP
24	VE1030A	MAGNET FOR DOOR MICROSWITCH D=22,
25	VM1620A	LED BAR LOWER SUPPORT
26	VM1180A	HANDLE HAFT XVC204/304/504/704
27	VM1490A	CHEFTOP/BAKERTOP HANDLE SCREWS CO
28	VM2042A	INTERNAL LATERAL GLASS LOCKING SY
29	VM1621A	LED BAR UPPER SUPPORT
30	LP1002B	LED LIGHTING BAR L400
31	TB2325A	XVC305E/505E/705E UPPER LISTEL 20
32	CE1310A	POWER - CONTROL BOARD CONNECTING

33	CE1285A	EMI ROUND FERRITE MOD.2643801502
34	CE1290A	EXTRACTABLE FEMALE TERMINAL CPF 5
40	TB2321A	XVC505E INTERNAL CENTRAL WATER PI
41	TB2322A	XVC505E INTERNAL RIGHT WATER PIPE
42	OG1491A	XVC505E FAN GUARD
43	GN1390B	GN1000B-GUARNIZIONE PORTA XVC504-
44	OG1494A	XVC505E FAN GUARD SPACER
45	VN1030A	MOTOR FAN D196 H81 39 BLADE NUT M
46	RS1225A	6 T. HEATING ELEMENT 1,7+1,7+1,3
47	GN1085A	HEATING ELEMENT GASKET 141X24 G6.
48	RS1215A	147W 105V D230 1 TURN FLAT ELEMEN
49	GN1326A	ELEMENT SEALING
50	TR1041A	MOLDED CORE PROBE L=2000
51	GRL1225A	7 GN1/1 ST. STEEL RIGHT LATERAL S
52	GRL1226A	7 GN1/1 ST. STEEL LEFT LATERAL SU
53	TR1105A	TEMPERATURE PROBE PT100 L1000
54	GN1285A	NTC TEMPERATURE PROBE SEALING
55	VM1465A	CHEFTOP TEMPERATURE PROBE COVER
56	OH2551A	XBC/XVC ST.STEEL DRAIN COVER
57	EL1055A	INTERMEDIATE REDUCTION FROM D=10
58	VE1135A	VENTURI ACTUATOR 220 V 50/60 HZ S
59	VM1955A	WASHING SYSTEM ROTOR
60	RC1378A	HOSE CLAMP
61	TB1956A	TB1520A - EPDM BLACK PIPE L=50
62	TB1515A	EXTERNAL WATER PIPE + FITTING RC1
63	RC1170A	STAINLESS STEEL NUT M14 H=8 CH=22
64	EL1361A	J.G. THREE-STAGE SOLENOID VALVE D
65	EL1020A	INTERMEDIATE "T" CONNECTION Ø8
66	OH4305A	ST. STEEL MOTOR SHAFT SEALING DIS
67	GN1140A	MOLDED MOTOR SUPPORT GASKET
68	VN1130A	330W 230V 50/60HZ MOTOR

69	PE1710A	MOTOR REVOLUTIONS SENSOR
70	OH3586A	ZINCATE MOTOR GUARD PLATE XBC-XVC
71	OH4851A	BT CT WIRING SUPPORT BRACKET
72	RC1310A	140X4 CLAMP WITH CLIP
73	VM1610A	CLIP TWIST LOCK DIAM. 7,6-10,2 MM
80	OD2175A	XVC305E/505E/705E EXTERNAL COVER
81	OD2179A	XVC505E EXTERNAL RIGHT SIDE PANEL
82	OD2178A	XVC505E EXTERNAL LEFT SIDE PANEL
83	OF1451A	XVC505E EXTERNAL BACK PANEL
84	OE1318A	XVC305E/505E/705E EXTERNAL BOTTOM
85	OH1019A	BRACKET FOR CHEFTOP H100 FEET
86	VM1991A	DRIP TRAY
87	VM1008A	GASKET SUPPORT INTERNAL CORNER
88	OH1450A	XB-XV-XG ST. STEEL MUFFLE FRONT C
89	VM1460A	XBC/XVC RIGHT DOOR LATCH CAP
90	VM1190A	CT BT RIGHT DOOR SPRING LATCH
91	VM1192A	CT BT RIGHT DOOR SPRING LATCH COV
92	VE1020A	MAGNETIC DOOR MICROSWITCH
93	VM1201A	MAGNETIC SUPPORT PLATE FOR DOOR M
94	OH2560A	XBC/XVC ZINC PLAT. DOOR COUNTERBR
95	PE1967A	RJ45 CONNECTION + RESET POINT
96	VM1220A	CLIP TO FIX DRIP TRAY C.T.
97	VM1505A	WALL PASSING WITH DIAPHRAGM
98	GN1400A	U-TRAP SEAL
99	VM2039A	DRAIN BEND FIXING RING
100	VL1026A	BEND FOR DRAIN PIPE
101	PD1066B	BI-COMPONENT FOOT H100
102	PD1063A	CT BT FOOT STOP BRACKET
103	VM1160B	CT BT DOOR LOWER BRACKET
104	VM2035A	DRAIN PIPE SUPPORT
105	VM1461A	XBC/XVC LEFT DOOR LATCH CAP

106	VM1191A	CT BT LEFT DOOR SPRING LATCH
107	TB2235A	Ø8 DETERGENT PIPE COIL
108	EL1020A	INTERMEDIATE "T" CONNECTION Ø8
109	EL1195B	D8F-D8M ELBOW CONNECTION
110	VL1038A	VIBRATION PUMP
111	EL1411A	SOLENOID VALVE WITH CHECK VALVE
112	OH6413A	WATER SYSTEM SUPPORT
113	RC1374A	1/4 - Ø8 M CIL. FITTING
114	VL1042A	PRESSURE REDUCER WITH DISTRIBUTOR
115	VM1556A	XBC-XVC COOLING FAN GUARD
116	VM1555A	CT BT COOLING DOWN FAN SUPPORT
117	VN1120B	12V COOLING DOWN FAN
118	EL1185B	D8F-D8F ELBOW FITTING
119	RC1360A	10 - 10 JG ELBOW FITTING
120	VM2029A	RUBBER WASHER 20X8X4
121	VL1043A	D4 PIPE HOLDER - D6 J.G. TERMINAL
122	RC1373A	Ø6F-Ø6F ELBOW FITTING
123	RC1365A	3/4"-10 JG FEMALE CONNECTION
124	GN1200A	3/4 CONNECTION SEAL D=24 RUBBER+N
125	VL1034A	Ø10 MESH100 WATER FILTER
126	VL1044A	HOLD DOWN WEIGHT WITH FILTER
127	GN1275A	XBC/XVC BLACK CHIMNEY SEALING
128	OH3790A	CHIMNEY HOLDING PLATE
129	VM1165B	CT BT DOOR UPPER BRACHET
130	VM1166A	CAP FOR DOOR UPPER STIRRUP XVC204
131	VM1195A	HOLES BLANKING PLATE XVC204/304/5
132	VM1240A	NYLON SUPPORT CAP
133	TB2237A	Ø10 WATER MAIN CONNECTION PIPE
150	OH6456A	XVC305E/505E/705E COMPONENTS HOLD
151	CE1355A	CABLE 5 X 2,5 MMQ H07RNF L = 1,5
152	VM1310A	COVER FOR TERMINAL BOX XB/XV/XVC/

153	MR1004A	TERMINAL 7FTW GV V0 VL CU 1+2+3/4
154	VE1075A	WIRE CLAMP FV 268 RO + FIXING SCR
155	VM1610A	CLIP TWIST LOCK DIAM. 7,6-10,2 MM
156	VM1075A	PLASTIC CLIP TO FIX CONTACTORS
157	VE1115A	MINI CONTACTOR WITH 4 POLES 20 A 2
158	VM1745A	BOARD SUPPORT
159	VE1110A	CONDENSER 6,3 7F 450VAC 50/60HZ
160	PE1725D	E SERIES CHEFTOP-BAKERTOP POWER C
161	VM1750A	TERMINAL BOARD
162	VM1605A	CLIP TWIST LOCK DIAM. 10,2-12,7 M