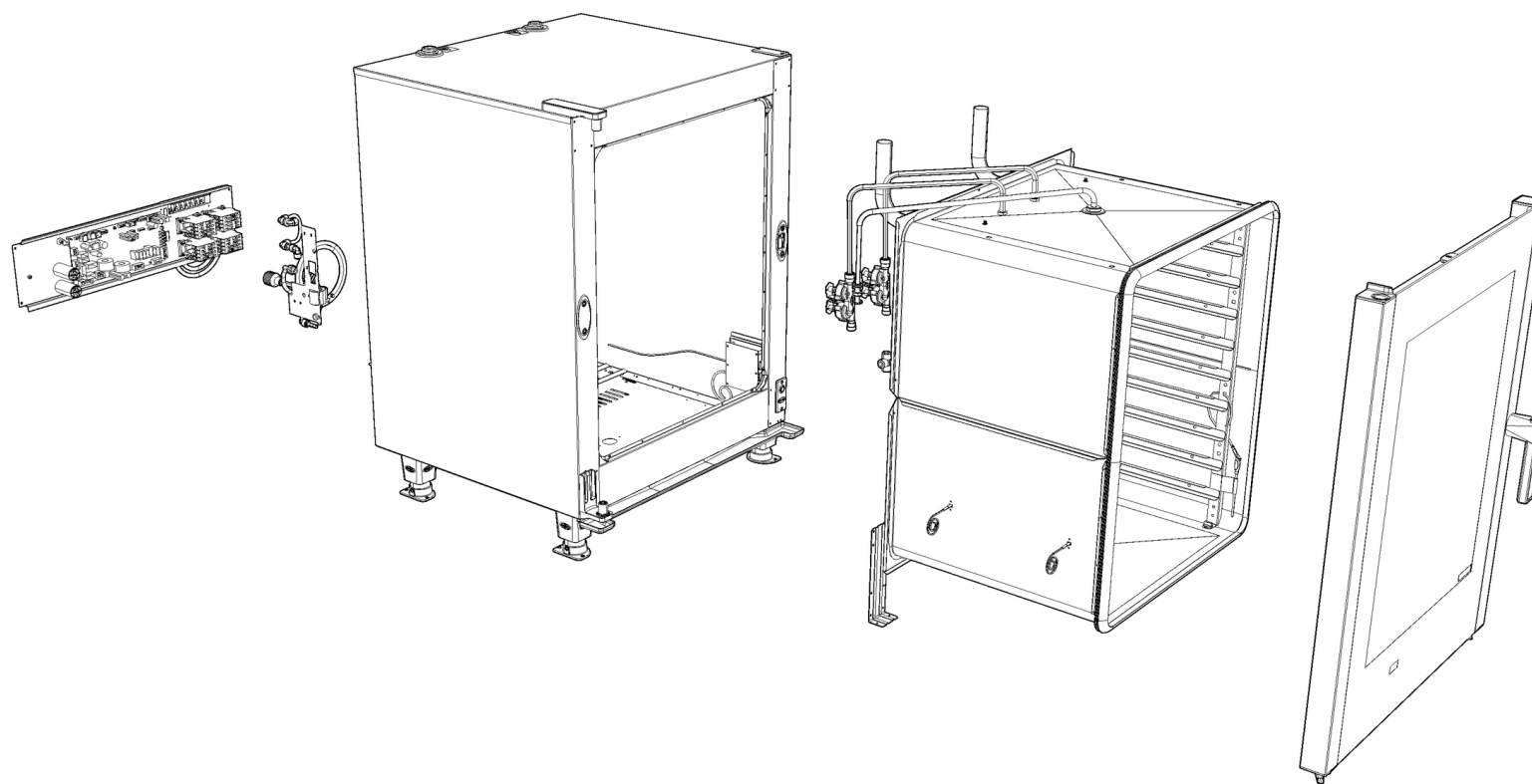
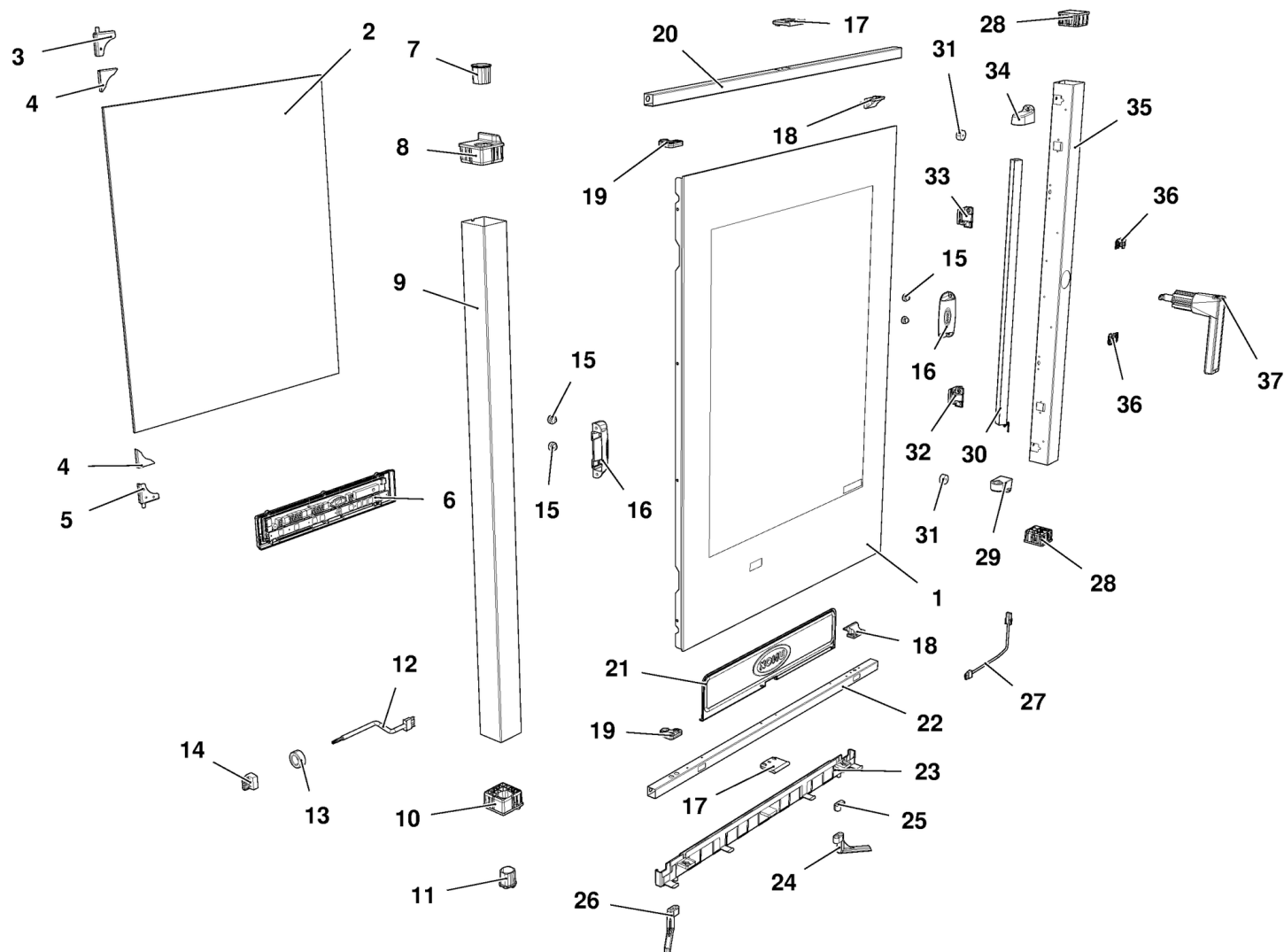


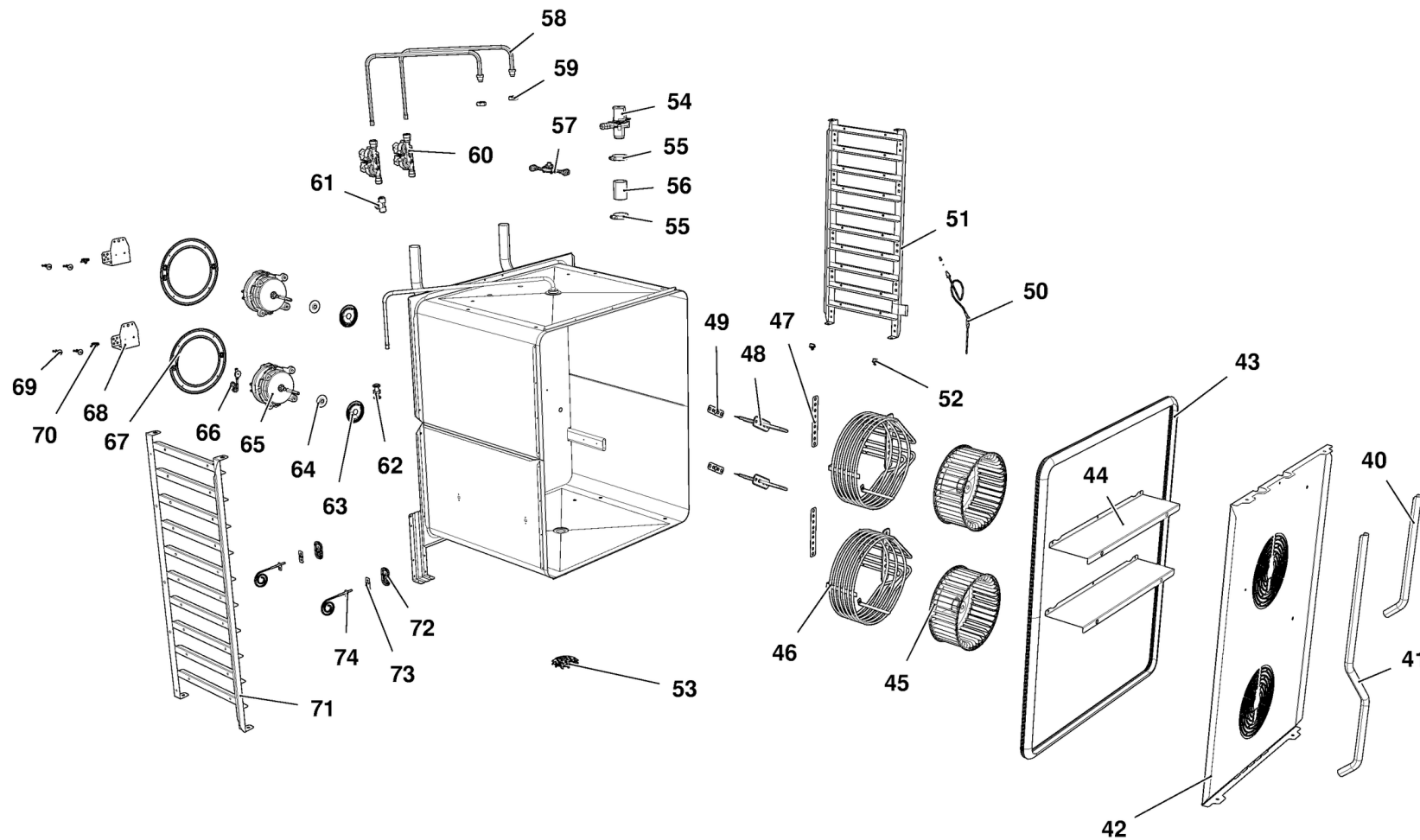
MOD:XVC705EP



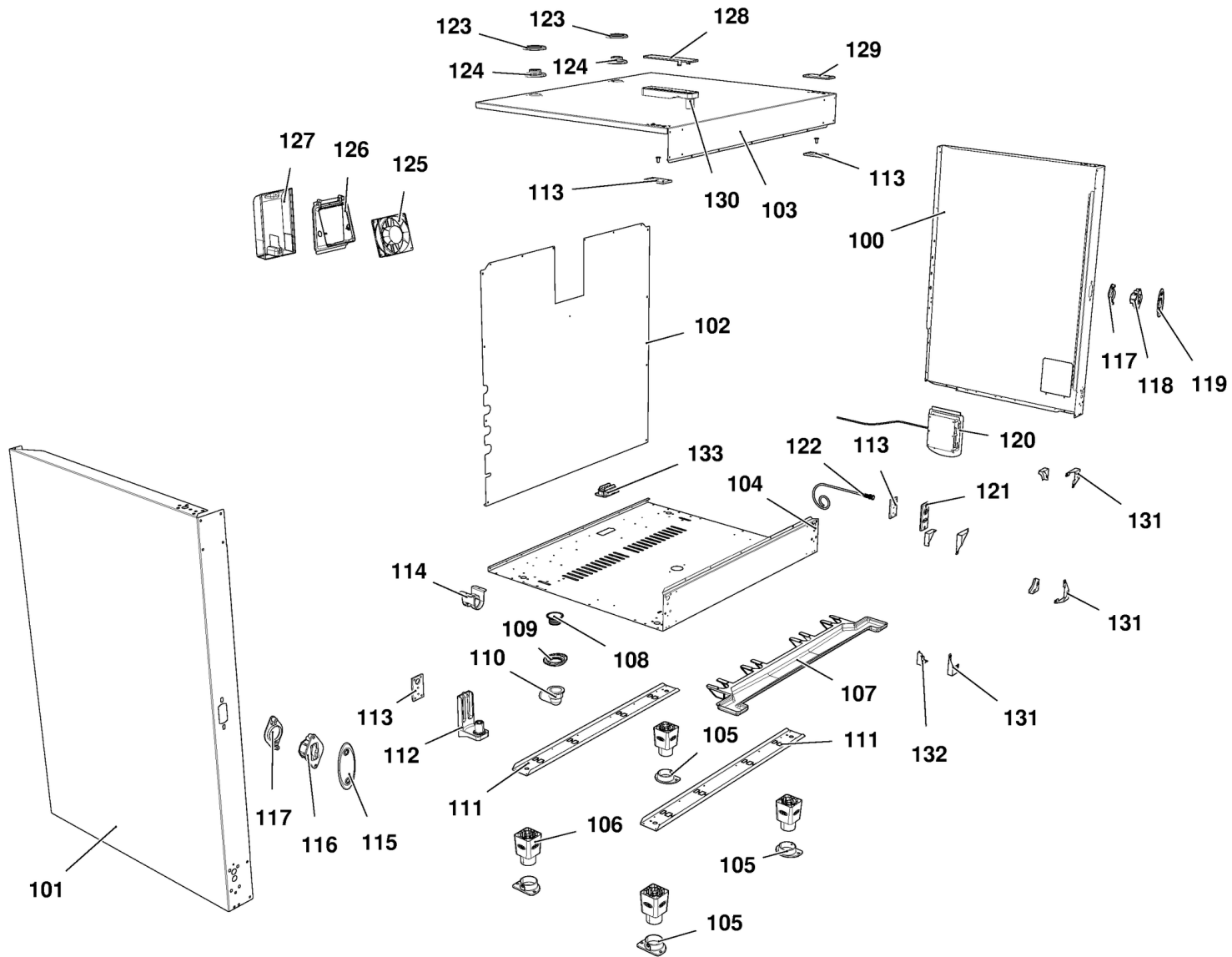
MOD:XVC705EP



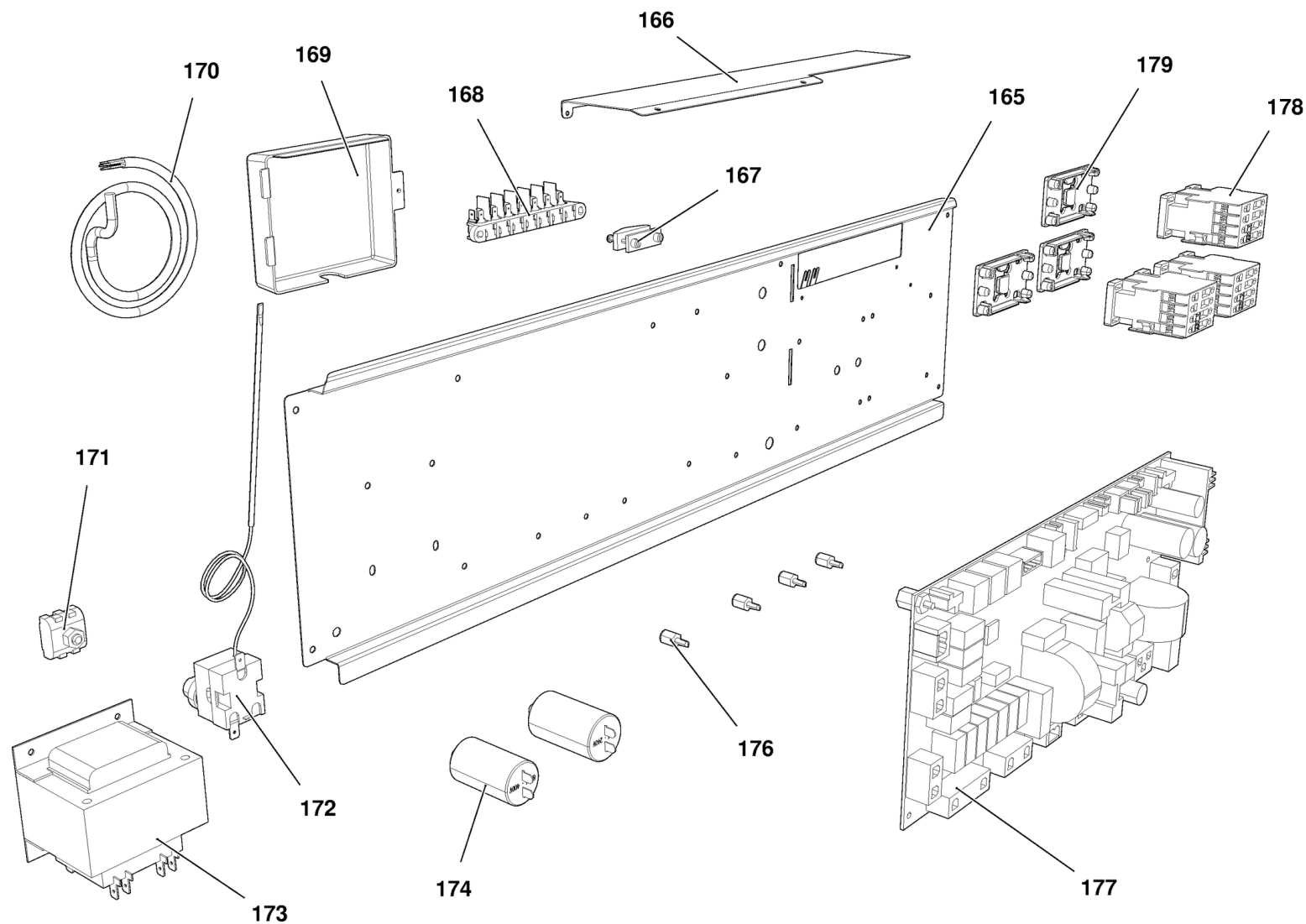
MOD:XVC705EP



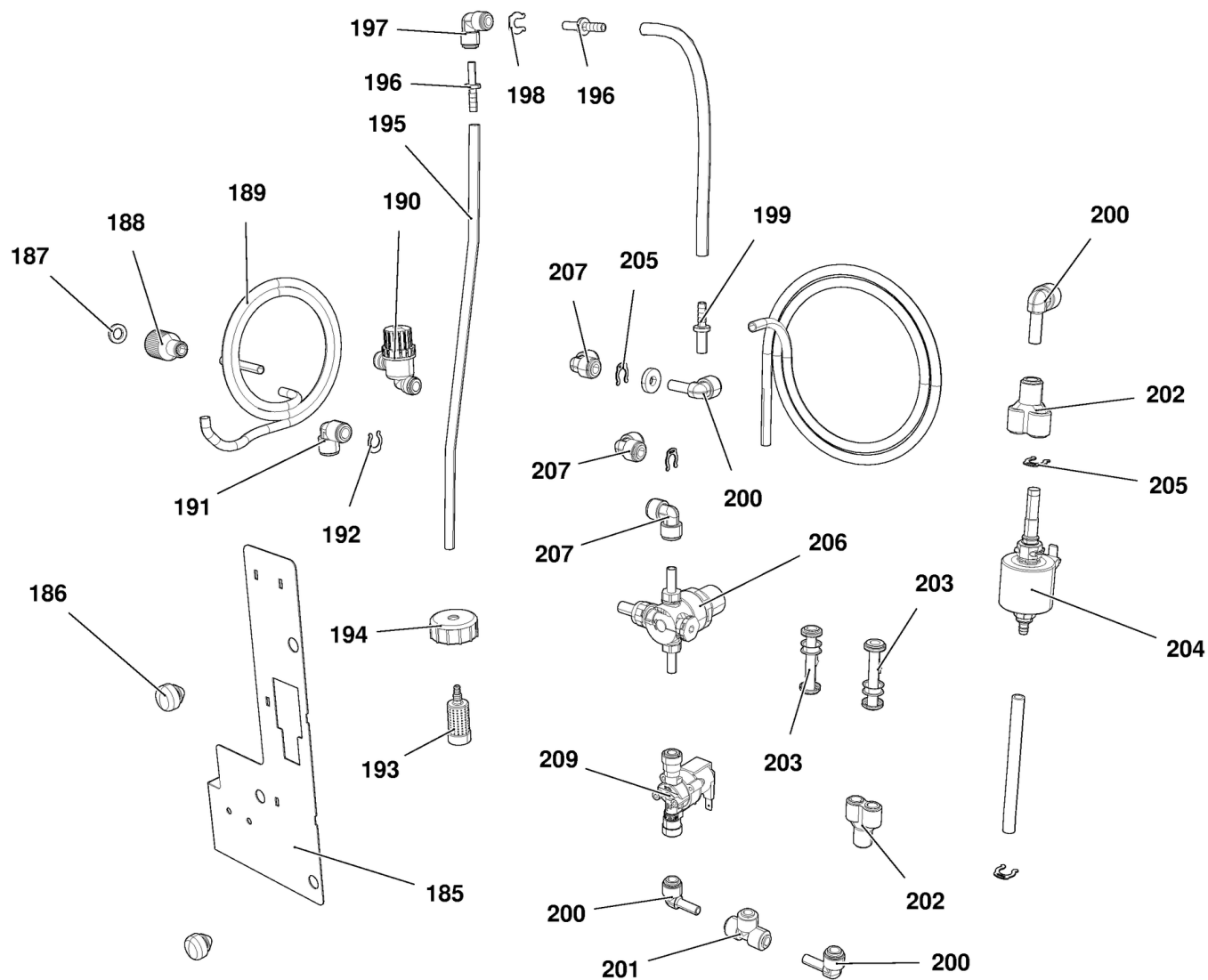
MOD:XVC705EP



MOD:XVC705EP



MOD:XVC705EP



MOD:XVC705EP



IT

Descrizione codici

1	VT1106B	VETRO ESTERNO SER. 647X890X4 CTFL
2	VT1105A	VETRO INTERNO 633X767X6 BETFL XVC
3	CR1085A	CERNIERA VETRO INT INOX SUP
4	GN1181A	GUARNIZIONE CERN VETRO INT CR1085
5	CR1086A	CERNIERA VETRO INT INOX INF
6	PE1740A	SCHEDA CONTROLLO PE1705 CT BT
7	VM1511A	BOCCOLA LISCIA PERNO PORTA CHEFFT
8	VM1170B	TAPPO FULCRO SUP. PORTA XVC204/30
9	TB1196A	COLONNINA SX PORTA XVC705 50x50x1
10	VM1171B	TAPPO FULCRO INF. PORTA XVC204/30
11	VM1510A	BOCCOLA SCANALATA PERNO PORTA XBC
12	CE1310A	CAVO COLLEGAMENTO POTENZA CONTROL
13	CE1285A	FERRITE EMI ROUND MOD. 2643801502
14	CE1290A	MORSETTO FEMMINA ESTRAIBILE CPF 5
15	VM1630A	TAPPO PREMI VETRO INTERNO
16	VM1591A	STAFFA SPINGIVETRO INTERNO XVC100
17	VM2031A	PREMIVETRO ESTERNO
18	VM2043A	SUPPORTO VETRO SUP - INF
19	VM1680A	CERNIERA APERTURA VETRO INTERNO
20	TB2325A	LISTELLO SUP. XVC305E/505E/705E 2
21	OH4310A	PROFILO INOX PARACALORE CRUSCOTTO
22	TB2326A	LISTELLO INF. XVC305E/505E/705E 2
23	VM1616A	PROFILO SALVAGOCIA 300/500/700
24	VM2015A	TUBO PER PROFILO RACCOGLI GOCCE D
25	VM2044A	TAPPO PER PROFILO RACCOGLI GOCCE
26	VM2014A	TUBO PER PROFILO RACCOGLI GOCCE S
27	CE1665A	CAVO ALIMENTAZIONE BARRA LED 1 MT
28	VM1175A	TAPPO ESTETICO COLONNINA PORTA
29	VM1620A	SUPPORTO INF BARRA LED
30	LP1003B	BARRA ILLUMINAZIONE LED L600
31	VE1030A	CALAMITA D=22,9mm PER MICROPORTA

32	VM2042A	ASSIEME CHIUSURA VETRO INTERNO LA
33	VM2042A	ASSIEME CHIUSURA VETRO INTERNO LA
34	VM1621A	SUPPORTO SUP BARRA LED
35	TB2316A	COLONNINA DX XVC705E 50x50x1.2
36	VM1490A	COPRI VITI MANIGLIA CHEFTOP BAKER
37	VM1180B	IMPUGNATURA MANIGLIA CT BT
40	TB2320A	TUBO UMIDITA' XVC305E/705E Ø16x1
41	TB2323A	TUBO UMIDITA' DX XVC705E Ø16x1
42	OG1492A	CARTER ARIA XVC705E
43	GN1391C	GN1006A-GUARNIZIONE PORTA XVC705E
44	OG1493A	DISTANZIALE CARTER XVC305E/705E
45	VN1030A	VENTOLA D196 H81 39 PALE DADO M8
46	RS1180A	RES. CIRCOLARE 9000W 230V 6 SPIRE
47	GN1086A	GUARNIZIONE RESISTENZA 141x22 G8.
48	RS1215A	RES. PIANA 147W 105V D230 1 SPIRA
49	GN1326A	GUARNIZIONE RESISTENZA 71x19 G6.2
50	SN1002A	SONDA AL CUORE MULTIPUNTO L=2050
51	GRL1230A	SUPPORTO LATERALE DX INOX 10TG GN
52	VM1820A	NOTTOLINO M6 CROMATO FISS. SUPPOR
53	OH2551A	TAPPO PER TUBO DI SCARICO LIQUIDI
54	VE1135A	ATTUATORE VENTURI 220V 50/60 Hz 5
55	RC1378A	FASCETTA STRINGI TUBO ZINCATA
56	TB1956A	TB1520A-TUBO NERO EPDM L=50
57	VM1955B	CORPO GIRANTE LAVAGGIO
58	TB1515A	TUBO EST. UMIDITA' + RC1165A0
59	RC1170A	DADO M14 H=8 CH=22 INOX
60	EL1361A	ELETTROVALVOLA TRI-STADIO JG D8-D
61	EL1020A	RACCORDO INTERMEDIO "T" TUBO Ø8
62	EL1055A	RIDUZIONE INTERMEDIA D10-D8
63	OH4305A	DISCO TENUTA ALBERO MOTORE INOX S
64	GN1140A	GUARNIZIONE PORTAMOTORE STAMP.

65	VN1130A	MOTORE FORNO 330W 230V 50/60HZ
66	PE1710A	SENSORE NUMERO GIRI MOTORE
67	OH3586A	LAMIERA PROTEZIONE MOTORE ZINCATO
68	OH6741A	STAFFA CABLAGGIO AISI-304
69	VM1610A	CLIP TWIST LOCK DIAM. 7,6-10,2 MM
70	RC1310A	FASCETTA RICHO 140X4 CON CLIP
71	GRL1231A	SUPPORTO LATERALE SX INOX 10TG GN
72	VM1465A	COPERCHIO SONDA TEMPERATURA CHEFT
73	GN1285A	GUARNIZIONE SONDA DI TEMPERATURA
74	TR1105A	SONDA TEMPERATURA PT100 L1000
75	EL1252A	ELETTROVALVOLA H2O 1 VIA RID. VER
100	OD2181A	FIANCO DX XVC705E
101	OD2180A	FIANCO SX XVC705E
102	OF1452A	SCHIENA XVC705E
103	OD2175A	COPERCHIO XVC305E/505E/705E
104	OE1318A	FONDO ESTERNO XVC305E/505E/705E
105	PD1063A	STAFFA BLOCCAGGIO PIEDE CT BT
106	PD1066B	PIEDE H100 PLASTICA BICOMPONENTE
107	VM1991A	CASSETTO RACCOGLI GOCCE 750
108	GN1400A	GUARNIZIONE SIFONE
109	VM2039A	ANELLO FISSAGGIO CURVA DI SCARICO
110	VL1026A	CURVA PER TUBO DI SCARICO
111	OH1019A	LAMIERA RINFORZO PIEDI H100 CT
112	VM1160B	STAFFA INFERIORE PORTA CT BT
113	OH2560A	CONTROSTAFFA ZINCATA PORTA C.T.
114	VM2035A	SUPPORTO PER TUBO DI SCARICO
115	VM1461A	COPERCHIO SX SCROCCO PORTA XBC/XV
116	VM1191A	SCROCCO MANIGLIA SX CT BT
117	VM1192A	COPERCHIO SCROCCO MANIGLIA CT BT
118	VM1190A	SCROCCO MANIGLIA DX CT BT
119	VM1460A	COPERCHIO DX SCROCCO PORTA XBC/XV

120	PE1971B	ASM SCHEDA UNOX.LINK MODBUS RJ45+
121	VM1201A	PIASTRINA SUPPORTO MICROPORTA MAG
122	VE1020A	MICROINTERRUTTORE PORTA MAGNETICO
123	OH3790A	LAMIERA TENUTA CAMINO
124	GN1275A	GUARNIZIONE CAMINO SILICONE NERO
125	VN1163A	VENTOLA RAFFREDDAMENTO 230V
126	VM1555A	SUPPORTO VENTOLA RAFFREDDAMENTO C
127	VM1556A	PROTEZIONE VENTOLA RAFFREDDAMENTO
128	VM1166A	COPERCHIO STAFFA SUPERIORE PORTA
129	VM1195A	PIASTRINA COPRIFORI XVC204/304/50
130	VM1165B	STAFFA SUPERIORE PORTA CT BT
131	OH1450A	ANGOLO FACCIATA MUFFOLA INOX XB-X
132	VM1008A	ANGOLARE INT. SUPPORTO GUARNIZION
133	VM2061A	PASSAPARETE CAVI ACCESSORI COMPLE
165	OH7049A	PROFILO PORTA COMP XVC305EP/705EP
166	OH7078A	PROFILO PROTEZIONE SCHEDA POTENZA
167	VE1075A	PRESSACAPO FV 268 RO+VITI FISSAGG
168	MR1004A	MORSETT. 7FTW GV VO VL CU 1+2+3/4
169	VM1310A	SCATOLA COPRI MORSETTIERA XB/XV/X
170	CE1355A	CAVO 5X2,5MMQ H07RN-F L=1,5MT
171	VM1750A	MORSETTIERA A PETTINE
172	TR1136A	TERMOSTATO SIC. UNIP. 330°C
173	VE1026A	TRASFORMATORE 230-21-12Vac 90VA
174	CN1003A	CONDENSATORE CORAZZATO 6,3 uF
176	VM1745A	SUPPORTO PER SCHEDA
177	PE1725E	SCHEDA POTENZA FORNI CT-BT 55.E
178	VE1095A	TELERUTTORE GE 25A 230V 50/60
179	VM2191A	STAFFA TELERUTTORE GRANDE VE1095
185	OH6413A	SUPPORTO IMPIANTO IDRICO
186	VM1630A	TAPPO PREMI VETRO INTERNO
187	GN1200A	GUARNIZIONE D=24 RACCORDO 3/4 GOM

188	RC1365A	RACCORDO JG FEMMINA 3/4"-10
189	TB2237A	TUBO Ø10 ALLACCIAMENTO RETE
190	VL1034A	FILTRO ACQUA Ø10 MESH100
191	RC1360A	RACCORDO GOMITO JG 10-10
192	EL1349A	CLIP BLOCCA PINZETTA RACCORDI D10
193	VL1044B	FILTRO RETINATO CON AFFONDANTE
194	VL1041B	TAPPO DETERGENTE FORATO Ø11
195	TB2242B	TUBO PVC 9X6
196	VL1046A	PORTAGOMMA D6-CODOLO D6
197	RC1373A	RACCORDO GOMITO Ø6F-Ø6F
198	EL1348A	CLIP BLOCCA PINZETTA RACCORDI D6
199	VL1047A	PORTAGOMMA D6 CODOLO D8
200	EL1195B	RACCORDO GOMITO D8F-D8M
201	EL1020A	RACCORDO INTERMEDIO "T" TUBO Ø8
202	EL1115B	RACCORDO Y D8
203	EL1180A	RACCORDO NON RITORNO Ø8 Ø8 FEMMIN
204	VL1038A	POMPA VIBRAZIONE
205	EL1345A	CLIP BLOCCA PINZETTA RACCORDI Ø8
206	VL1014A	RIDUTTORE DI PRESSIONE CON DISTRI
207	EL1185B	RACCORDO GOMITO D8F-D8F
208	TB2235A	ROCCETTO DETERGENTE TUBO Ø8
209	EL1411A	ELETTROVALVOLA H2O CON CHECK VALV

MOD:XVC705EP



EN

Codes descriptions

1	VT1106B	XVC705 EXTERNAL GLASS 647X890X4
2	VT1105A	XVC704/5/5E INTERNAL GLASS 633x76
3	CR1085A	INTERNAL GLASS UPPER HINGE
4	GN1181A	INTERNAL GLASS HINGE SEAL
5	CR1086A	INTERNAL GLASS LOWER HINGE
6	PE1740A	CT BT CONTROL BOARD PE1705 + BOAR
7	VM1511A	XBC/XVC SLEEK DOOR PIN BUSHING
8	VM1170B	UPPER DOOR FULCRUM CAP
9	TB1196A	XVC705 ST. STEEL LEFT DOOR COLUMN
10	VM1171B	DOOR LOWER FULCRUM CAP
11	VM1510A	XBC/XVC GROOVED DOOR PIN BUSHING
12	CE1310A	POWER - CONTROL BOARD CONNECTING
13	CE1285A	EMI ROUND FERRITE MOD.2643801502
14	CE1290A	EXTRACTABLE FEMALE TERMINAL CPF 5
15	VM1630A	INTERNAL GLASS PUSHING CAP
16	VM1591A	GLASS BRACKET INT. XVC1004
17	VM2031A	EXTERNAL GLASS PUSHING PLATE
18	VM2043A	UPPER - LOWER GLASS SUPPORT
19	VM1680A	INTERNAL GLASS HINGE
20	TB2325A	XVC305E/505E/705E UPPER LISTEL 20
21	OH4310A	ST. STEEL HEAT-GUARD FOR CONTROL
22	TB2326A	XVC305E/505E/705E LOWER LISTEL 20
23	VM1616A	300/500/700 E SERIES DRIP PROFILE
24	VM2015A	RIGHT DRIPPING PIPE
25	VM2044A	DRIP PROFILE CAP
26	VM2014A	LEFT DRIP PROFILE PIPE
27	CE1665A	LED POWER SUPPLY 1 M CABLE
28	VM1175A	DOOR COLUMN BLANKING CAP
29	VM1620A	LED BAR LOWER SUPPORT
30	LP1003B	LED LIGHT BAR L600
31	VE1030A	MAGNET FOR DOOR MICROSWITCH D=22,

32	VM2042A	INTERNAL GLASS LATERAL LOCKING SY
33	VM2042A	INTERNAL GLASS LATERAL LOCKING SY
34	VM1621A	LED BAR UPPER SUPPORT
35	TB2316A	XVC705E DOOR RIGHT COLUMN 50x50x1
36	VM1490A	CHEFTOP/BAKERTOP HANDLE SCREWS CO
37	VM1180B	ChefTop/BakerTop HANDLE HAFT
40	TB2320A	XVC305E/705E INTERNAL WATER PIPE
41	TB2323A	XVC705E INTERNAL RIGHT WATER PIPE
42	OG1492A	XVC705E FAN GUARD
43	GN1391C	GN1006A - XVC705E DOOR SEAL
44	OG1493A	XVC305E/705E FAN GUARD SPACER
45	VN1030A	MOTOR FAN D196 H81 39 BLADE NUT M
46	RS1180A	9000W 230V 6 TURNS HEATING ELEMEN
47	GN1086A	ELEMENT SEALING
48	RS1215A	147W 105V D230 1 TURN FLAT ELEMEN
49	GN1326A	ELEMENT SEALING 70X22X0.8
50	SN1002A	CORE PROBE MULTIPOINT L=2050
51	GRL1230A	10 GN1/1 ST. STEEL RIGHT LATERAL
52	VM1820A	LATERAL SUPPORTS M6 FIXING BOLTS
53	OH2551A	XBC/XVC ST. STEEL DRAIN COVER
54	VE1135A	VENTURI ACTUATOR 220 V 50/60 Hz S
55	RC1378A	HOSE CLAMP
56	TB1956A	TB1520A - EPDM BLACK PIPE L=50
57	VM1955B	WASHIG SYSTEM ROTOR
58	TB1515A	EXTERNAL WATER PIPE + RC1165A0
59	RC1170A	STAINLESS STEEL NUT M14 H=8 CH=22
60	EL1361A	J.G. THREE-STAGE SOLENOID VALVE D
61	EL1020A	INTERMEDIATE "T" CONNECTION ø8
62	EL1055A	INTERMEDIATE REDUCTION FROM D=10
63	OH4305A	ST. STEEL MOTOR SHAFT SEALING DIS
64	GN1140A	MOLDED MOTOR SUPPORT GASKET

65	VN1130A	330W 230V 50/60HZ MOTOR
66	PE1710A	MOTOR REVOLUTIONS SENSOR
67	OH3586A	ZINCATE MOTOR GUARD PLATE XBC-XVC
68	OH6741A	ALSI-304 WIRING SUPPORT BRACKET
69	VM1610A	CLIP TWIST LOCK DIAM. 7,6-10,2 MM
70	RC1310A	140x4 CLAMP WITH CLIP
71	GRL1231A	10 GN1/1 ST. STEEL LEFT LATERAL S
72	VM1465A	CHEFTOP TEMPERATURE PROBE COVER
73	GN1285A	NTC TEMPERATURE PROBE SEALING
74	TR1105A	TEMPERATURE PROBE PT100 L1000
75	EL1252A	ONE INLET WATER VALVE J.G.CONN.
100	OD2181A	XVC705E EXTERNAL RIGHT SIDE PANEL
101	OD2180A	XVC705E EXTERNAL LEFT SIDE PANEL
102	OF1452A	XVC705E EXTERNAL BACK PANEL
103	OD2175A	XVC305E/505E/705E EXTERNAL COVER
104	OE1318A	XVC305E/505E/705E EXTERNAL BOTTOM
105	PD1063A	CT BT FOOT STOP BRACKET
106	PD1066B	BI-COMPONENT FOOT H100
107	VM1991A	CHEFTOP E SERIES DRIP TRAY
108	GN1400A	U-TRAP SEAL
109	VM2039A	DRAIN BEND FIXING RING
110	VL1026A	BEND FOR DRAIN PIPE
111	OH1019A	BRACKET FOR CHEFTOP H100 FEET
112	VM1160B	CT BT DOOR LOWER BRACKET
113	OH2560A	XBC/XVC ZINC PLAT. DOOR COUNTERBR
114	VM2035A	DRAIN PIPE SUPPORT
115	VM1461A	XBC/XVC LEFT DOOR LATCH CAP
116	VM1191A	CT BT LEFT DOOR SPRING LATCH
117	VM1192A	CT BT DOOR SPRING LATCH COVER
118	VM1190A	CT BT RIGHT DOOR SPRING LATCH
119	VM1460A	XBC/XVC RIGHT DOOR LATCH CAP

120	PE1971B	UNOX.LINK MODBUS RJ45+USB
121	VM1201A	MAGNETIC SUPPORT PLATE FOR DOOR M
122	VE1020A	MAGNETIC DOOR MICROSWITCH
123	OH3790A	CHIMNEY HOLDING PLATE
124	GN1275A	XBC/XVC BLACK CHIMNEY SEALING
125	VN1163A	COOLING FAN 230V
126	VM1555A	CT BT COOLING DOWN FAN SUPPORT
127	VM1556A	XBC-XVC COOLING FAN GUARD
128	VM1166A	CAP FOR DOOR UPPER STIRRUP XVC204
129	VM1195A	HOLES BLANKING PLATE XVC204/304/5
130	VM1165B	CT BT DOOR UPPER BRACKET
131	OH1450A	XB-XV-XG ST. STEEL MUFFLE FRONT C
132	VM1008A	GASKET SUPPORT INTERNAL CORNER
133	VM2061A	ACCESSORIES CABLES WALL PASSING
165	OH7049A	XVC305EP/705EP COMPONENTS HOLDER
166	OH7078A	POWER CARD PROTECTING PROFILE H70
167	VE1075A	WIRE CLAMP FV 268 RO + FIXING SCR
168	MR1004A	TERMINAL 7FTW GV V0 VL CU 1+2+3/4
169	VM1310A	COVER FOR TERMINAL BOX XB/XV/XVC/
170	CE1355A	CABLE 5 X 2,5 MMQ H07RNF L = 1,5
171	VM1750A	TERMINAL BOARD
172	TR1136A	SAFETY THERMOSTAT UNIP. 330°C
173	VE1026A	TRANSFORMER 230-21-12Vac 80VA
174	CN1003A	CONDENSER6,3 UF
176	VM1745A	BOARD SUPPORT
177	PE1725E	E SERIES CHEFTOP-BAKERTOP POWER C
178	VE1095A	REMOTE CONTROL SWITCH GE 25A 230V
179	VM2191A	BRACKET FOR REMOTE CONTROL SWITCH
185	OH6413A	WATER SYSTEM SUPPORT
186	VM1630A	INTERNAL GLASS PUSHING CAP
187	GN1200A	3/4 CONNECTION SEAL D=24 RUBBER+N

188	RC1365A	3/4"-10 JG FEMALE CONNECTION
189	TB2237A	ø10 WATER MAIN CONNECTION PIPE
190	VL1034A	ø10 MESH100 WATER FILTER
191	RC1360A	10 - 10 JG ELBOW FITTING
192	EL1349A	CLIP TO FIX ø10 mm CONNECTION JOI
193	VL1044B	HOLD DOWN WEIGHT WITH NET FILTER
194	VL1041B	DETERGENT CAP WITH ø11 HOLE
195	TB2242B	WASHING SYSTEM PIPE 9x6
196	VL1046A	D6 PIPE HOLDER - D6 J.G. TERMINAL
197	RC1373A	ø6F-ø6F ELBOW FITTING
198	EL1348A	CLIP TO FIX ø06 mm CONNECTION JOI
199	VL1047A	D6 PIPE HOLDER - D8 J.G. TERMINAL
200	EL1195B	D8F-D8M ELBOW CONNECTION
201	EL1020A	INTERMEDIATE "T" CONNECTION ø8
202	EL1115B	Y D8 CONNECTION
203	EL1180A	ø8 ø8 FEMALE NON-RETURN CONNECTIO
204	VL1038A	VIBRATION PUMP
205	EL1345A	CLIP TO FIX ø08 mm CONNECTION JOI
206	VL1014A	PRESSURE REDUCER WITH DISTRIBUTOR
207	EL1185B	D8F-D8F ELBOW FITTING
208	TB2235A	ø8 DETERGENT PIPE COIL
209	EL1411A	SOLENOID VALVE WITH CHECK VALVE