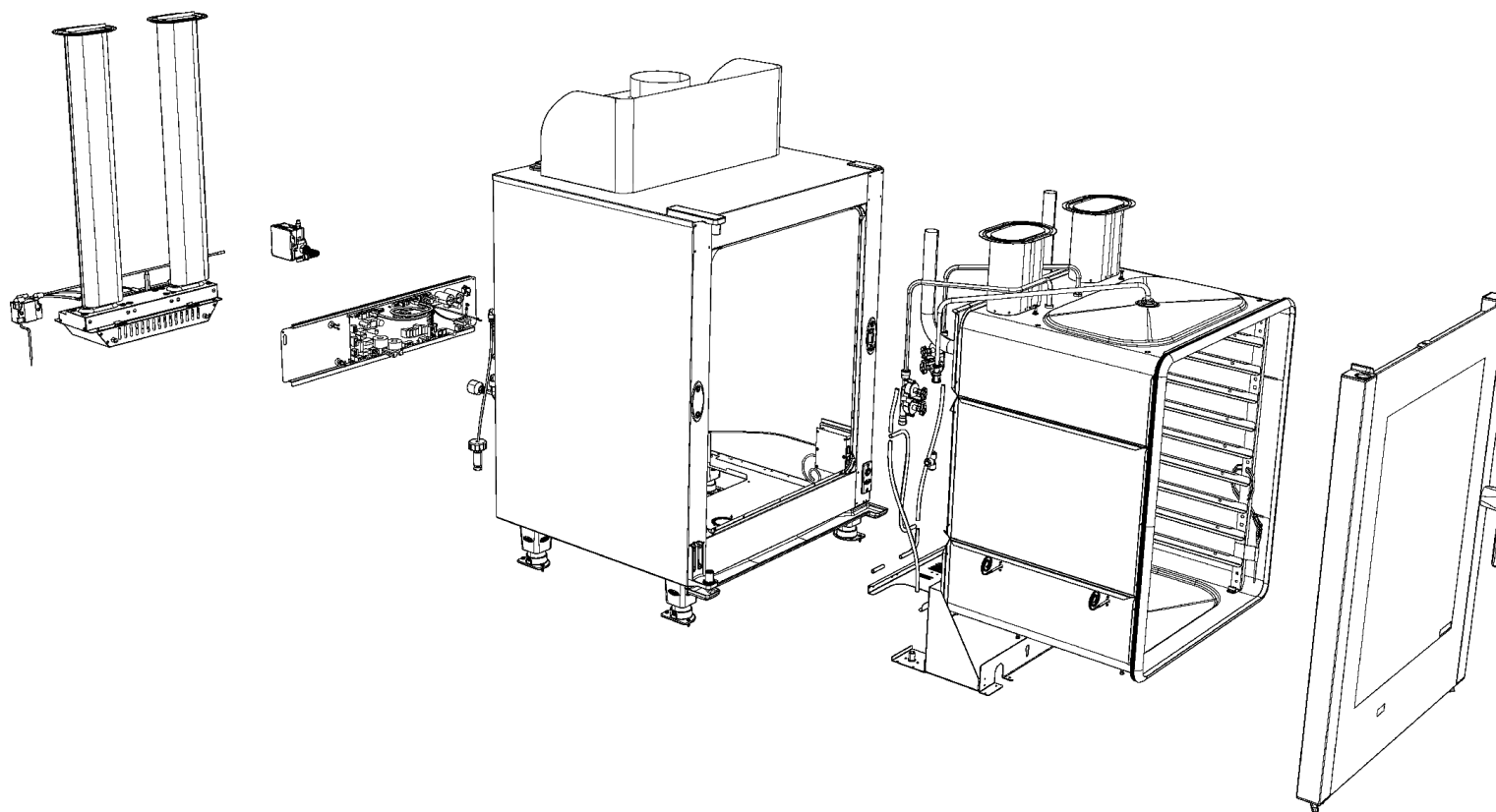
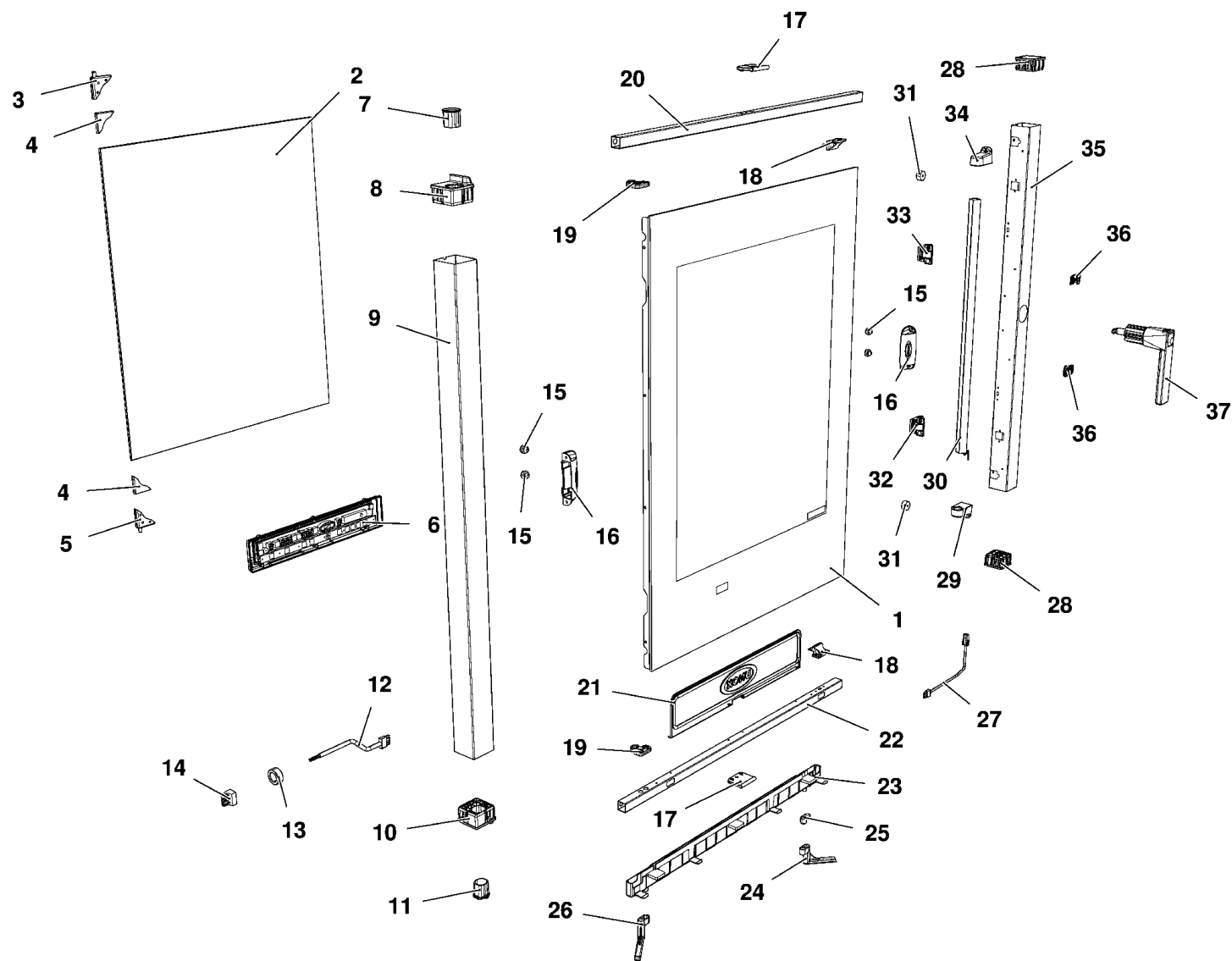


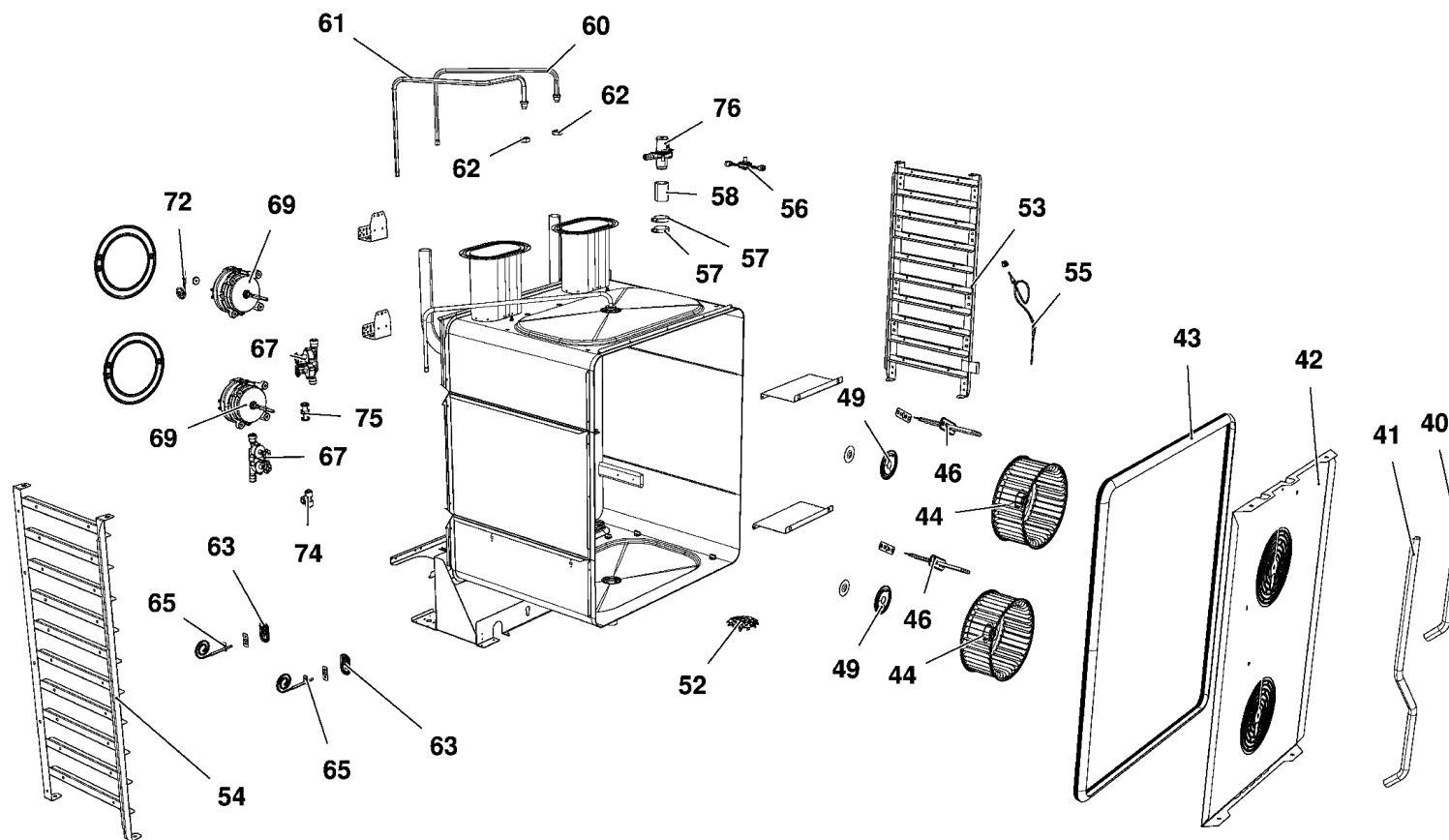
MOD:XVC715EG



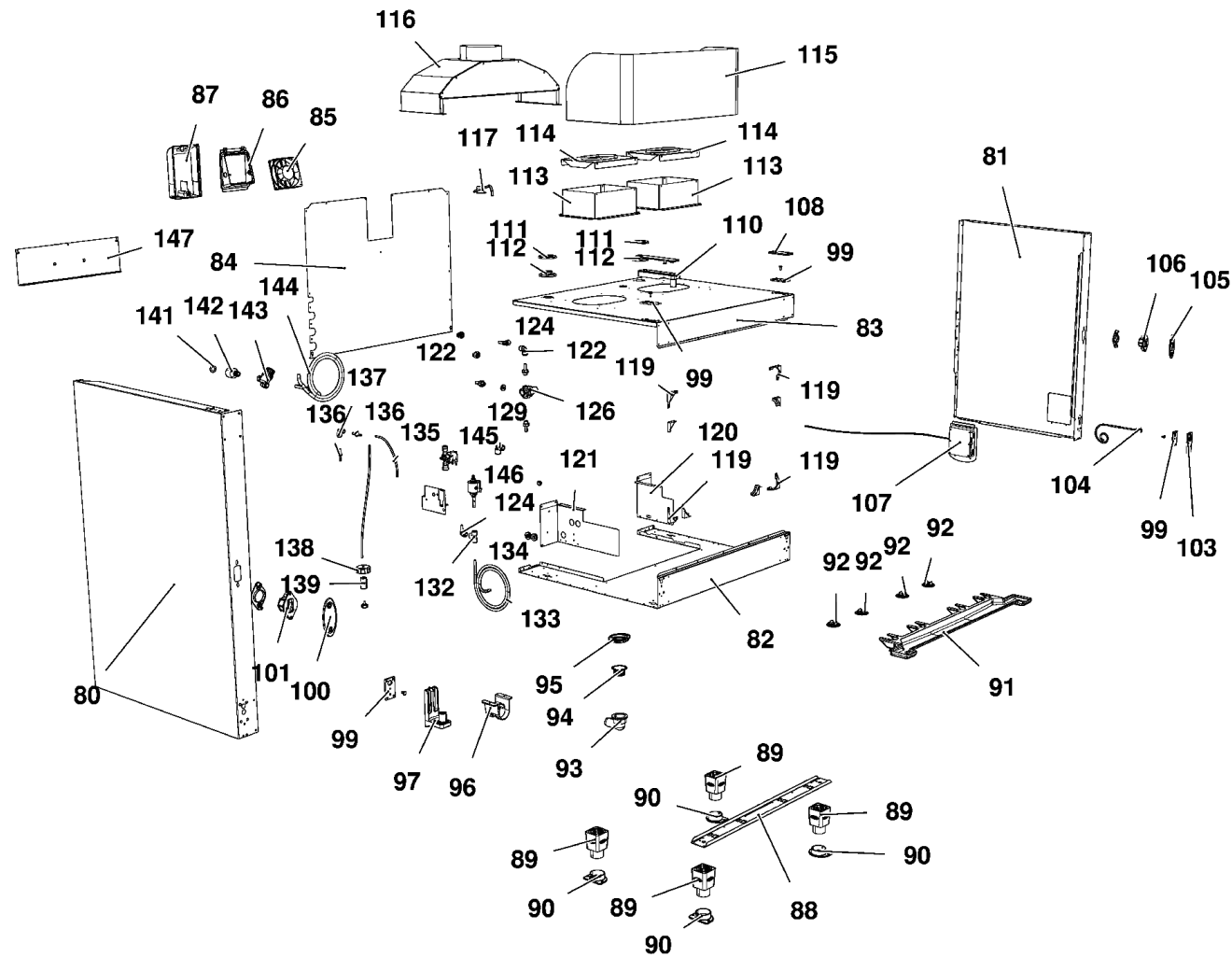
MOD:XVC715EG



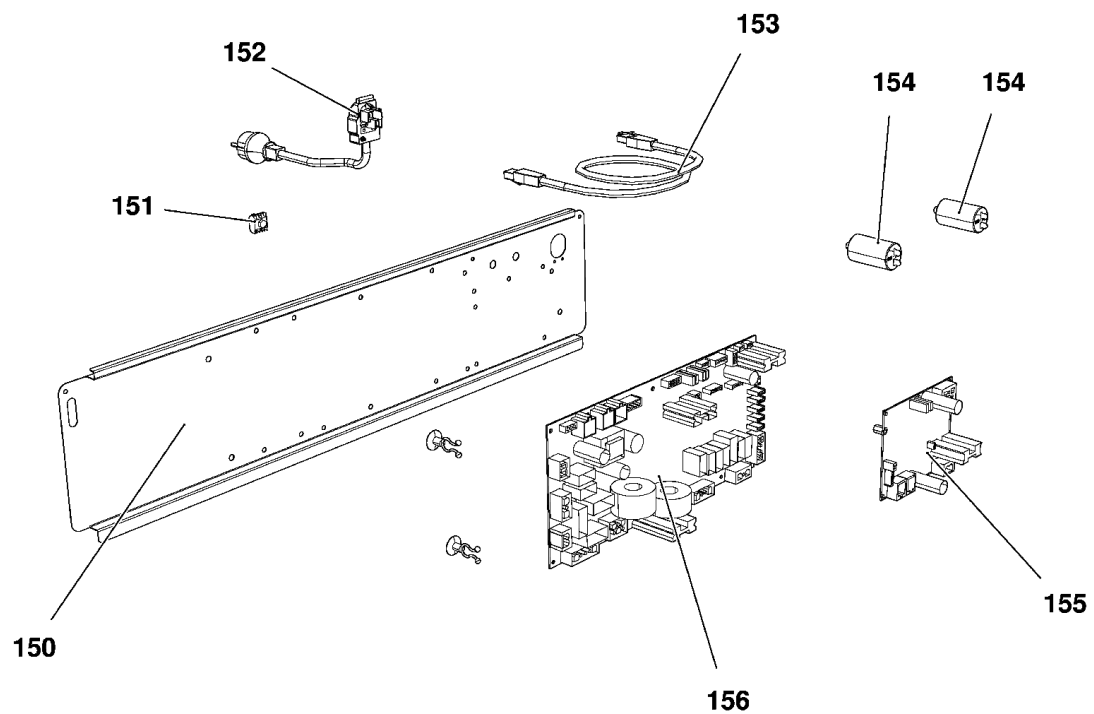
MOD:XVC715EG



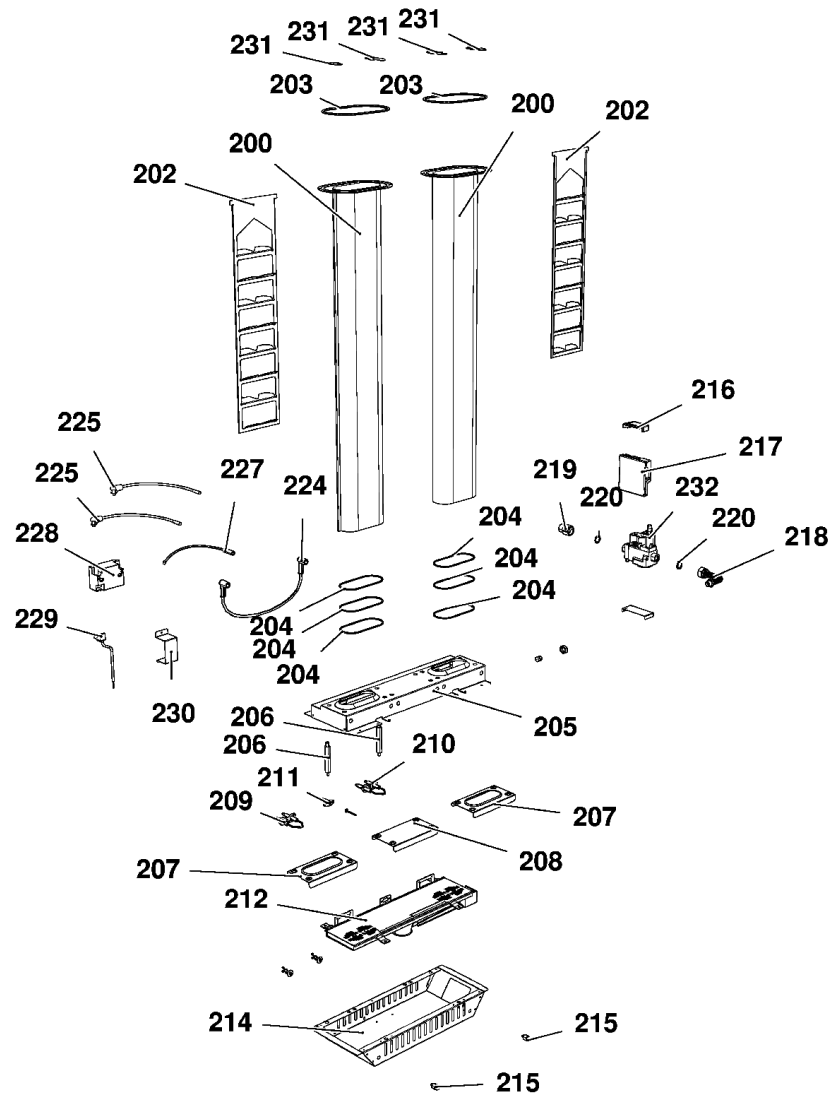
MOD:XVC715EG



MOD:XVC715EG



MOD:XVC715EG



MOD:XVC715EG



IT

Descrizione codici

| | | |
|----|---------|-----------------------------------|
| 1 | VT1106B | VETRO ESTERNO SER. 647X890X4 CTFL |
| 2 | VT1105A | VETRO INTERNO 633X767X6 BETFL XVC |
| 3 | CR1085A | CERNIERA VETRO INT INOX SUP |
| 4 | GN1181A | GUARNIZIONE CERN VETRO INT CR1085 |
| 5 | CR1086A | CERNIERA VETRO INT INOX INF |
| 6 | PE1740A | SCHEDA CONTROLLO PE1705 CT BT |
| 7 | VM1511A | BOCCOLA LISCIA PERNO PORTA CHEFFT |
| 8 | VM1170B | TAPPO FULCRO SUP. PORTA XVC204/30 |
| 9 | TB1196A | COLONNINA SX PORTA XVC705 50X50X1 |
| 10 | VM1171B | TAPPO FULCRO INF. PORTA XVC204/30 |
| 11 | VM1510A | BOCCOLA SCANALATA PERNO PORTA XBC |
| 12 | CE1310A | CAVO COLLEGAMENTO POTENZA CONTROL |
| 13 | CE1285A | FERRITE EMI ROUND MOD. 2643801502 |
| 14 | CE1290A | MORSETTO FEMMINA ESTRAIBILE CPF 5 |
| 15 | VM1630A | TAPPO PREMI VETRO INTERNO |
| 16 | VM1591A | STAFFA SPINGIVETRO INTERNO XVC100 |
| 17 | VM2031A | PREMIVETRO ESTERNO |
| 18 | VM2043A | SUPPORTO VETRO SUP - INF |
| 19 | VM1680A | CERNIERA APERTURA VETRO INTERNO |
| 20 | TB2325A | LISTELLO SUP. XVC305E/505E/705E 2 |
| 21 | OH4310A | PROFILO INOX PARACALORE CRUSCOTTO |
| 22 | TB2326A | LISTELLO INF. XVC305E/505E/705E 2 |
| 23 | VM1616A | PROFILO SALVAGOCIA 300/500/700 |
| 24 | VM2015A | TUBO PER PROFILO RACCOGLI GOCCE D |
| 25 | VM2044A | TAPPO PER PROFILO RACCOGLI GOCCE |
| 26 | VM2014A | TUBO PER PROFILO RACCOGLI GOCCE S |
| 27 | CE1665A | CAVO ALIMENTAZIONE BARRA LED 1 MT |
| 28 | VM1175A | TAPPO ESTETICO COLONNINA PORTA |
| 29 | VM1620A | SUPPORTO INF BARRA LED |
| 30 | LP1003B | BARRA ILLUMINAZIONE LED L600 |
| 31 | VE1030A | CALAMITA D=22,9MM PER MICROPORTA |

| | | |
|----|----------|-----------------------------------|
| 32 | VM2042A | ASSIEME CHIUSURA VETRO INTERNO LA |
| 33 | VM2042A | ASSIEME CHIUSURA VETRO INTERNO LA |
| 34 | VM1621A | SUPPORTO SUP BARRA LED |
| 35 | TB2316A | COLONNINA DX XVC705E 50X50X1.2 |
| 36 | VM1490A | COPRI VITI MANIGLIA CHEFTOP BAKER |
| 37 | VM1180A | IMPUGNATURA MANIGLIA XVC204/304/5 |
| 40 | TB2360A | TUBO INT. UMIDITA' CENT. XVC715EG |
| 41 | TB2359A | TUBO INT. UMIDITA' SX XVC715EG Ø1 |
| 42 | OG1509A | CARTER ARIA XVC715EG |
| 43 | GN1391B | GN1000B-GUARNIZIONE PORTA XVC704- |
| 44 | VN1030A | VENTOLA D196 H81 39 PALE DADO M8 |
| 46 | RS1215A | RES. PIANA 147W 105V D230 1 SPIRA |
| 49 | OH4305A | DISCO TENUTA ALBERO MOTORE INOX S |
| 52 | OH2551A | TAPPO PER TUBO DI SCARICO LIQUIDI |
| 53 | GRL1230A | SUPPORTO LATERALE DX INOX 10TG GN |
| 54 | GRL1231A | SUPPORTO LATERALE SX INOX 10TG GN |
| 55 | SN1002A | SONDA AL CUORE MULTIPUNTO L=2050 |
| 56 | VM1955A | CORPO GIRANTE LAVAGGIO |
| 57 | RC1378A | FASCETTA STRINGI TUBO ZINCATA |
| 58 | TB1956A | TB1520A-TUBO NERO EPDM L=50 |
| 60 | TB1515A | TUBO EST. UMIDITA' + RC1165A0 |
| 61 | TB2246A | TUBO EST. UMIDITA' + RC1165A0 |
| 62 | RC1170A | DADO M14 H=8 CH=22 INOX |
| 63 | VM1465A | COPERCHIO SONDA TEMPERATURA CHEFT |
| 65 | TR1106A | SONDA TEMPERATURA PT100 L=2000 |
| 67 | EL1361A | ELETTROVALVOLA TRI-STADIO JG D8-D |
| 69 | VN1130A | MOTORE FORNO 330W 230V 50/60HZ |
| 72 | VE1550A | MAGNETE NEODIMIO 5X3 MM |
| 74 | EL1020A | RACCORDO INTERMEDIO "T" TUBO Ø8 |
| 75 | EL1055A | RIDUZIONE INTERMEDIA D10-D8 |
| 76 | VE1135A | ATTUATORE VENTURI 220V 50/60 HZ S |

| | | |
|-----|---------|-----------------------------------|
| 80 | OD2180A | FIANCO SX XVC705E |
| 81 | OD2181A | FIANCO DX XVC705E |
| 82 | OE1322A | FONDO EST. GAS CT GN1/1 S.5E |
| 83 | OD2191A | COPERCHIO XVC GAS GN1/1 S.5E |
| 84 | OF1442A | SCHIENA XVC715EG |
| 85 | VN1120B | VENTOLA RAFFREDDAMENTO 12V |
| 86 | VM1555A | SUPPORTO VENTOLA RAFFREDDAMENTO C |
| 87 | VM1556A | PROTEZIONE VENTOLA RAFFREDDAMENTO |
| 88 | OH1019A | LAMIERA RINFORZO PIEDI H100 CT |
| 89 | PD1066B | PIEDE H100 PLASTICA BICOMPONENTE |
| 90 | PD1063A | STAFFA BLOCCAGGIO PIEDE CT BT |
| 91 | VM1991A | CASSETTO RACCOGLI GOCCE 750 |
| 92 | VM1220A | CLIP FISSAGGIO CASSETTO RACCOGLI |
| 93 | VL1026A | CURVA PER TUBO DI SCARICO |
| 94 | GN1400A | GUARNIZIONE SIFONE |
| 95 | VM2039A | ANELLO FISSAGGIO CURVA DI SCARICO |
| 96 | VM2035A | SUPPORTO PER TUBO DI SCARICO |
| 97 | VM1160B | STAFFA INFERIORE PORTA CT BT |
| 99 | OH2560A | CONTROSTAFFA ZINCATA PORTA C.T. |
| 100 | VM1461A | COPERCHIO SX SCROCCO PORTA XBC/XV |
| 101 | VM1191A | SCROCCO MANIGLIA SX CT BT |
| 103 | VM1201A | PIASTRINA SUPPORTO MICROPORTA MAG |
| 104 | VE1020A | MICROINTERRUTTORE PORTA MAGNETICO |
| 105 | VM1460A | COPERCHIO DX SCROCCO PORTA XBC/XV |
| 106 | VM1190A | SCROCCO MANIGLIA DX CT BT |
| 107 | PE1967A | SCHEDA RIARMO RJ45 |
| 108 | VM1195A | PIASTRINA COPRIFORI XVC204/304/50 |
| 110 | VM1165B | STAFFA SUPERIORE PORTA CT BT |
| 111 | OH3790A | LAMIERA TENUTA CAMINO |
| 112 | GN1275A | GUARNIZIONE CAMINO SILICONE NERO |
| 113 | ON1360A | LAMIERA LATERALE CANNE XVC |

| | | |
|-----|---------|-----------------------------------|
| 114 | ON1353A | COPERCHIO CONTROCANNE |
| 115 | ON1210A | COPERTURA ESTETICA INTER. TIRAG. |
| 116 | ON1355A | CORPO INTERRUTTORE TIRAGGIO FUMI |
| 117 | TR1110B | SONDA TEMPERATURA TC K L2000 COMP |
| 119 | OH1450A | ANGOLO FACCIATA MUFFOLA INOX XB-X |
| 120 | OH3960A | LAMIERA COPERTURA ELETT. GAS INOX |
| 121 | OH6506A | LAMIERA COP ACCENDITORE XVC GAS G |
| 122 | EL1185B | RACCORDO GOMITO D8F-D8F |
| 124 | EL1195B | RACCORDO GOMITO D8F-D8M |
| 126 | VL1042A | RIDUTTORE PRESSIONE CON DISTRIBUT |
| 129 | RC1360A | RACCORDO GOMITO JG 10-10 |
| 132 | EL1020A | RACCORDO INTERMEDIO "T" TUBO Ø8 |
| 133 | TB2235A | ROCCETTO DETERGENTE TUBO Ø8 |
| 134 | GN1311A | PASSACAVO GOMMA DE=25 DI=12 SP=6. |
| 135 | TB2242A | TUBO Ø6 LAVAGGIO 2M |
| 136 | VL1043A | PORTAGOMMA D4-CODOLO D6 |
| 137 | RC1373A | RACCORDO GOMITO Ø6F-Ø6F |
| 138 | VL1041A | TAPPO DETERGENTE |
| 139 | VL1010A | AFFONDANTE CON FILTRO |
| 141 | GN1200A | GUARNIZIONE D=24 RACCORDO 3/4 GOM |
| 142 | RC1365A | RACCORDO JG FEMMINA 3/4"-10 |
| 143 | VL1034A | FILTRO ACQUA Ø10 MESH100 |
| 144 | TB1980A | TB1815A-ALLACCIAMENTO FORNI ALLA |
| 145 | EL1411A | ELETTROVALVOLA H2O CON CHECK VALV |
| 146 | VL1038A | POMPA VIBRAZIONE |
| 147 | OH5114A | LAMIERA COPERTURA BRUCIATORE CT-G |
| 150 | OP1008A | PORTACOMPONENTI XVC GA CT S.5E |
| 151 | VM1750A | MORSETTIERA A PETTINE |
| 152 | MR1000A | CAVO 3X1,5 H07RN-F MT1,5+K2/3+SCH |
| 153 | CE1400A | CAVO RJ45 - RJ45 L=0,5MT |
| 154 | VE1110A | CONDENSATORE 6,3 7F 450VAC 50/60 |

| | | |
|-----|---------|-----------------------------------|
| 155 | PE1730C | SCHEDA GESTIONE CENTRALINA GAS CT |
| 156 | PE1725D | SCHEDA POTENZA FORNI CT-BT SS.E |
| 200 | ON1170A | CANNA SCAMBIATORE XVC714G |
| 202 | ON1175A | TURBOLATORE INOX XVC714G |
| 203 | LV1525A | GUARNIZIONE CORDA FIBRA DI VETRO |
| 204 | GR1070A | ANELLO PER LABIRINTO CANNA-PORTAC |
| 205 | ON1310A | SCATOLA SUP. BRUCIATORE ATM V2 |
| 206 | TF1040A | COLONNINA FISSAGGIO BRUCIATORE XV |
| 207 | ON1190A | SCUDO INTERNO XVC314/514/714 |
| 208 | ON1195A | SCUDO INTERMEDIO XVC314/514/714 G |
| 209 | BR1310A | CANDELA DOPPIA ACCENSIONE XVC-XBC |
| 210 | BR1310A | CANDELA DOPPIA ACCENSIONE XVC-XBC |
| 211 | BR1230A | CANDELA DI RILEVAZIONE ACCENSIONE |
| 212 | BR1305A | ASS. BRUCIATORE ATM XVC/XBC 5 CAN |
| 214 | ON1185A | SCATOLA INFERIORE XVC314/514/714G |
| 215 | TF1045A | PERNO SOSTEGNO ANTERIORE BRUCIATO |
| 216 | VE1060A | COPERCHIO PER VE1055A0 |
| 217 | VE1055A | CONTROLLO FIAMMA HLL 220-240V 5 S |
| 218 | RC1325A | RACCORDO FLESS.LE GAS 3/8 EST-M13 |
| 219 | RC1045A | RACC.DRITTO OTT.FIL.3/4GAS FEMM.- |
| 220 | V1130A | RONDELLA ALL.24X18X1,5 TENUTA GAS |
| 224 | CE1780A | CAVO PONTE HV L=300 |
| 225 | CE1775A | CAVO ACCENSIONE HV L=650 |
| 225 | CE1775A | CAVO ACCENSIONE HV L=650 |
| 227 | CE1790A | CAVO CANDELA RILEVAZIONE |
| 228 | VE1600A | ACCENDITORE BERU MOD.0096600017 |
| 229 | CE1785A | CAVO ALIM. ACCENDITORE |
| 230 | OH5126A | OMEGA FISSAGGIO ACCENDITORE |
| 231 | ON1135A | FORCHETTA PER TURBOLATORI GAS |
| 232 | EL1400B | ELETTROVALVOLA MODULANTE GAS HONE |

MOD:XVC715EG



EN

Codes descriptions

| | | |
|----|---------|-----------------------------------|
| 1 | VT1106B | XVC705 EXTERNAL GLASS 647X890X4 |
| 2 | VT1105A | XVC704-5 INTERNAL GLASS 633X767X6 |
| 3 | CR1085A | INTERNAL GLASS UPPER HINGE |
| 4 | GN1181A | CR1085-1086 INTERNAL GLASS HINGE |
| 5 | CR1086A | INTERNAL GLASS LOWER HINGE |
| 6 | PE1740A | CT BT CONTROL BOARD PE1705 + BOAR |
| 7 | VM1511A | XBC/XVC SLEEK DOOR PIN BUSHING |
| 8 | VM1170B | UPPER DOOR FULCRUM CAP |
| 9 | TB1196A | XVC705 ST. STEEL LEFT DOOR COLUMN |
| 10 | VM1171B | DOOR LOWER FULCRUM CAP |
| 11 | VM1510A | XBC/XVC GROOVED DOOR PIN BUSHING |
| 12 | CE1310A | POWER - CONTROL BOARD CONNECTING |
| 13 | CE1285A | EMI ROUND FERRITE MOD.2643801502 |
| 14 | CE1290A | EXTRACTABLE FEMALE TERMINAL CPF 5 |
| 15 | VM1630A | INTERNAL GLASS PUSHING CAP |
| 16 | VM1591A | GLASS BRACKET INT. XVC1004 |
| 17 | VM2031A | EXTERNAL GLASS PUSHING PLATE |
| 18 | VM2043A | UPPER - LOWER GLASS SUPPORT |
| 19 | VM1680A | INTERNAL GLASS HINGE |
| 20 | TB2325A | XVC305E/505E/705E UPPER LISTEL 20 |
| 21 | OH4310A | ST. STEEL HEAT-GUARD FOR CONTROL |
| 22 | TB2326A | XVC305E/505E/705E LOWER LISTEL 20 |
| 23 | VM1616A | 300/500/700 E SERIES DRIP PROFILE |
| 24 | VM2015A | RIGHT DRIPPING PIPE |
| 25 | VM2044A | DRIP PROFILE CAP |
| 26 | VM2014A | LEFT DRIP PROFILE PIPE |
| 27 | CE1665A | LED POWER SUPPLY 1 M CABLE |
| 28 | VM1175A | DOOR COLUMN BLANKING CAP |
| 29 | VM1620A | LED BAR LOWER SUPPORT |
| 30 | LP1003B | LED LIGHT BAR L600 |
| 31 | VE1030A | MAGNET FOR DOOR MICROSWITCH D=22, |

| | | |
|----|----------|-----------------------------------|
| 32 | VM2042A | INTERNAL LATERAL GLASS LOCKING SY |
| 33 | VM2042A | INTERNAL LATERAL GLASS LOCKING SY |
| 34 | VM1621A | LED BAR UPPER SUPPORT |
| 35 | TB2316A | XVC705E DOOR RIGHT COLUMN 50X50X1 |
| 36 | VM1490A | CHEFTOP/BAKERTOP HANDLE SCREWS CO |
| 37 | VM1180A | HANDLE HAFT XVC204/304/504/704 |
| 40 | TB2360A | XVC715EG INTERNAL CENTRAL WATER P |
| 41 | TB2359A | XVC715EG INTERNAL LEFT WATER PIPE |
| 42 | OG1509A | XVC515EG FAN GUARD |
| 43 | GN1391B | GN1000B DOOR GASKET - XVC705 LENG |
| 44 | VN1030A | MOTOR FAN D196 H81 39 BLADE NUT M |
| 46 | RS1215A | 147W 105V D230 1 TURN FLAT ELEMEN |
| 49 | OH4305A | ST. STEEL MOTOR SHAFT SEALING DIS |
| 52 | OH2551A | XBC/XVC ST.STEEL DRAIN COVER |
| 53 | GRL1230A | 10 GN1/1 ST. STEEL RIGHT LATERAL |
| 54 | GRL1231A | 10 GN1/1 ST. STEEL LEFT LATERAL S |
| 55 | SN1002A | CORE PROBE MULTIPOINT L=2050 |
| 56 | VM1955A | WASHING SYSTEM ROTOR |
| 57 | RC1378A | HOSE CLAMP |
| 58 | TB1956A | TB1520A - EPDM BLACK PIPE L=50 |
| 60 | TB1515A | EXTERNAL WATER PIPE + RC1165A0 |
| 61 | TB2246A | EXTERNAL WATER PIPE + RC1165A0 |
| 62 | RC1170A | STAINLESS STEEL NUT M14 H=8 CH=22 |
| 63 | VM1465A | CHEFTOP TEMPERATURE PROBE COVER |
| 65 | TR1106A | TEMPERATURE PROBE PT100 L=2000 |
| 67 | EL1361A | J.G. THREE-STAGE SOLENOID VALVE D |
| 69 | VN1130A | 330W 230V 50/60HZ MOTOR |
| 72 | VE1550A | MAGNET NEODYMIUM 5X3 MM |
| 74 | EL1020A | INTERMEDIATE "T" CONNECTION Ø8 |
| 75 | EL1055A | INTERMEDIATE REDUCTION FROM D=10 |
| 76 | VE1135A | VENTURI ACTUATOR 220 V 50/60 HZ S |

| | | |
|-----|---------|-----------------------------------|
| 80 | OD2180A | XVC705E EXTERNAL LEFT SIDE PANEL |
| 81 | OD2181A | XVC705E EXTERNAL RIGHT SIDE PANEL |
| 82 | OE1322A | S.5E GN1/1 GAS CHEFTOP EXT. BOTTO |
| 83 | OD2191A | S.5E GN1/1 GAS CHEFTOP EXT. COVER |
| 84 | OF1442A | XVC515EG EXTERNAL BACK PANEL |
| 85 | VN1120B | 12V COOLING DOWN FAN |
| 86 | VM1555A | CT BT COOLING DOWN FAN SUPPORT |
| 87 | VM1556A | XBC-XVC COOLING FAN GUARD |
| 88 | OH1019A | BRACKET FOR CHEFTOP H100 FEET |
| 89 | PD1066B | BI-COMPONENT FOOT H100 |
| 90 | PD1063A | CT BT FOOT STOP BRACKET |
| 91 | VM1991A | DRIP TRAY |
| 92 | VM1220A | CLIP TO FIX DRIP TRAY C.T. |
| 93 | VL1026A | BEND FOR DRAIN PIPE |
| 94 | GN1400A | U-TRAP SEAL |
| 95 | VM2039A | DRAIN BEND FIXING RING |
| 96 | VM2035A | DRAIN PIPE SUPPORT |
| 97 | VM1160B | CT BT DOOR LOWER BRACKET |
| 99 | OH2560A | XBC/XVC ZINC PLAT. DOOR COUNTERBR |
| 100 | VM1461A | XBC/XVC LEFT DOOR LATCH CAP |
| 101 | VM1191A | CT BT LEFT DOOR SPRING LATCH |
| 103 | VM1201A | MAGNETIC SUPPORT PLATE FOR DOOR M |
| 104 | VE1020A | MAGNETIC DOOR MICROSWITCH |
| 105 | VM1460A | XBC/XVC RIGHT DOOR LATCH CAP |
| 106 | VM1190A | CT BT RIGHT DOOR SPRING LATCH |
| 107 | PE1967A | RJ45 CONNECTION + RESET POINT |
| 108 | VM1195A | HOLES BLANKING PLATE XVC204/304/5 |
| 110 | VM1165B | CT BT DOOR UPPER BRACHET |
| 111 | OH3790A | CHIMNEY HOLDING PLATE |
| 112 | GN1275A | XBC/XVC BLACK CHIMNEY SEALING |
| 113 | ON1360A | XVC HEAT EXCHANGER LATERAL PANEL |

| | | |
|-----|---------|-----------------------------------|
| 114 | ON1353A | COUNTER HEAT EXCHANGER COVER |
| 115 | ON1210A | XVC GAS DRAFT STOPPER EXTERNAL CO |
| 116 | ON1355A | GAS DRAFT STOPPER CASING |
| 117 | TR1110B | COMPLETE TEMPERATURE PROBE TC K L |
| 119 | OH1450A | XB-XV-XG ST. STEEL MUFFLE FRONT C |
| 120 | OH3960A | GAS VALVE COVER |
| 121 | OH6506A | E SERIES GN1/1 XVC GAS LIGHTER CO |
| 122 | EL1185B | D8F-D8F ELBOW FITTING |
| 124 | EL1195B | D8F-DBM ELBOW CONNECTION |
| 126 | VL1042A | PRESSURE REDUCER WITH DISTRIBUTOR |
| 129 | RC1360A | 10 - 10 JG ELBOW FITTING |
| 132 | EL1020A | INTERMEDIATE "T" CONNECTION Ø8 |
| 133 | TB2235A | Ø8 DETERGENT PIPE COIL |
| 134 | GN1311A | RUBBER CABLE-PASSING DE=25 DI=12 |
| 135 | TB2242A | WASHING SYSTEM PIPE Ø6 2M |
| 136 | VL1043A | D4 PIPE HOLDER - D6 J.G. TERMINAL |
| 137 | RC1373A | Ø6F-Ø6F ELBOW FITTING |
| 138 | VL1041A | DETERGENT CAP |
| 139 | VL1010A | HOLD DOWN WEIGHT WITH FILTER |
| 141 | GN1200A | 3/4 CONNECTION SEAL D=24 RUBBER+N |
| 142 | RC1365A | 3/4"-10 JG FEMALE CONNECTION |
| 143 | VL1034A | Ø10 MESH100 WATER FILTER |
| 144 | TB1980A | TB1815A-ALLACCIAMENTO FORNI ALLA |
| 145 | EL1411A | SOLENOID VALVE WITH CHECK VALVE |
| 146 | VL1038A | VIBRATION PUMP |
| 147 | OH5114A | CHEFTOP GAS BURNER COVER |
| 150 | OP1008A | E SERIES XVC GAS COMPONENTS HOLDE |
| 151 | VM1750A | TERMINAL BOARD |
| 152 | MR1000A | CABLE 3X1,5 H07RN-F MT1,5+K2/3+S |
| 153 | CE1400A | RJ45 - RJ45 CABLE L=0,5MT |
| 154 | VE1110A | CONDENSER 6,3 7F 450VAC 50/60HZ |

| | | |
|-----|---------|-----------------------------------|
| 155 | PE1730C | CT-BT GAS CONTROL BOARD |
| 156 | PE1725D | E SERIES CHEFTOP-BAKERTOP POWER C |
| 200 | ON1170A | XVC714-5 HEAT EXCHANGER PIPE |
| 202 | ON1175A | XVC714-5 BAFFLE |
| 203 | LV1525A | COUNTERPIPE GLASS FIBRE STRING SE |
| 204 | GR1070A | STAINLESS STEEL RING FOR LABYRIN |
| 205 | ON1310A | UPPER BOX FOR ATM V2 BURNER |
| 206 | TF1040A | XVC/XBC BURNER FIXING COLUMN |
| 207 | ON1190A | XBC-XVC INTERNAL BURNER GUARD |
| 208 | ON1195A | XBC-XVC MID BURNER GUARD |
| 209 | BR1310A | XBC-XVC DOUBLE START UP CANDLE |
| 210 | BR1310A | XBC-XVC DOUBLE START UP CANDLE |
| 211 | BR1230A | START UP SENSOR CANDLE |
| 212 | BR1305A | XVC/XBC 5 CANDLES BURNER |
| 214 | ON1185A | XVC315/515/715G ST. ST. LOWER BOX |
| 215 | TF1045A | FRONT BURNER RESTING PIN |
| 216 | VE1060A | COVER FOR VE1055A0 |
| 217 | VE1055A | HLL 220-240V 5 SEC FLAME CONTROL |
| 218 | RC1325A | FLEXIBLE GAS JOINT 3/8 EST-M13X1 |
| 219 | RC1045A | 3/4 FEMALE-3/4 STRAIGHT GAS CONNE |
| 220 | VI1130A | ALUMINIUM BUSHING 24X18X1,5 TO HO |
| 224 | CE1780A | HV BRIDGE CABLE L=300 |
| 225 | CE1775A | HV STARTING CABLE L=650 |
| 225 | CE1775A | HV STARTING CABLE L=650 |
| 227 | CE1790A | FLAME DETECTOR CANDLE CABLE |
| 228 | VE1600A | LIGHTER BERU MOD.0096600017 |
| 229 | CE1785A | START UP CABLE |
| 230 | OH5126A | LIGHTER FIXING OMEGA |
| 231 | ON1135A | GAS BUFFLE FORK |
| 232 | EL1400B | HONEYWELL MODULATING GAS VALVE |