

Service manual Dibas 64 L 400V 50Hz

Version: 2.00

Ident:

Series:

Part-Number: X2200



Chapter

baking chamber Dibas L - V:
control Dibas L - V:
door Dibas L - V:
frame Dibas L - V:
installation space Dibas L - V:

Service manual baking chamber Dibas L

Version:

Ident:

Series:

Part-Number:

Chapter

X2200-230-081 - cascade - V:

X2200-215-000 - cascade plug - V:

X2200-230-101 - cascade rod - V:

X2200-230-000 - cascade steaming 3.01 - V:

X2200-810-000 - cleaning PCL - V:

X2200-001-144 - door seal, Dibas 64 L - V:

X2200-900-056 - fan cover - V:

X2200-900-056 - fan cover cascade - V:

fan wheel cascade - V:

X2200-300-000 - heater recirculating air pipe steaming - V:

X2200-230-005 - heating cartridge cascade Dibas 64 L - V:

X2200-210-000 - steaming - V:

X2200-900-080 - tray set 10 plates - V:

X2200-900-060 - tray set 8 plates - V:

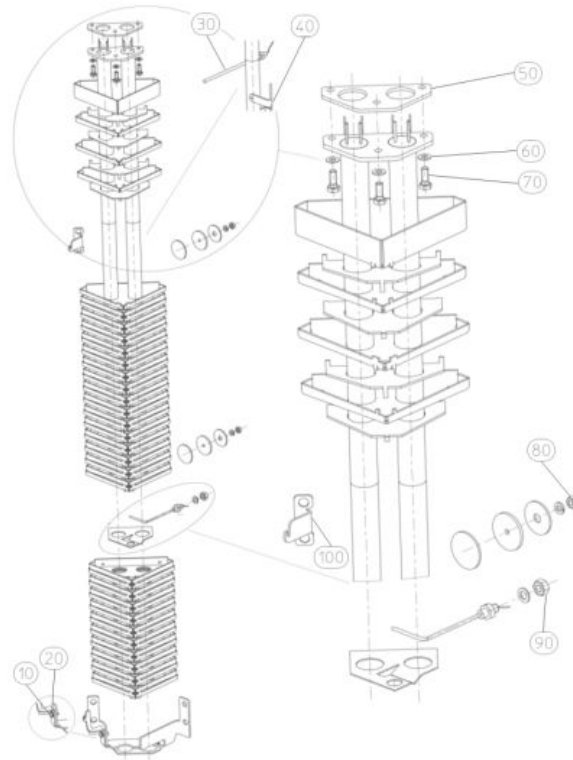
Service manual cascade

Version:

Ident:

Series:

Part-Number: X2200-230-081



Chapter

- [010] - 42284 - screw
- [020] - 42210 - washer
- [030] - 9030-140-004 - resistance thermometer (SW13x145)
- [040] - X2200-230-163 - fix angle above
- [050] - X2200-230-097 - flange cartridge seal
- [060] - 42012 - washer
- [070] - 42042 - screw
- [080] - 42010 - nut
- [090] - 9030-140-003 - resistance thermometer Pt 500 (-50/+180°C)
- [100] - X2200-230-161 - hinge angle, above

Part: screw**Part-Number: 42284****Part: washer****Part-Number: 42210****Part: resistance thermometer (SW13x145)****Part-Number: 9030-140-004****Part: fix angle above****Part-Number: X2200-230-163**

Part: flange cartridge seal**Part-Number: X2200-230-097****Part: washer****Part-Number: 42012****Part: screw****Part-Number: 42042****Part: nut****Part-Number: 42010**

Part: resistance thermometer Pt 500 (-50/+180°C)**Part-Number: 9030-140-003****Part: hinge angle, above****Part-Number: X2200-230-161**

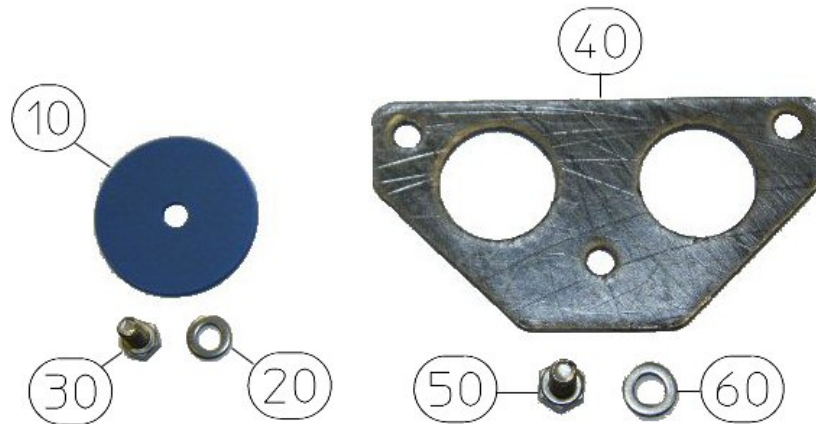
Service manual cascade plug

Version:

Ident:

Series:

Part-Number: X2200-215-000



Chapter

[010] - 38740 - seal for blind plug

[020] - 42010 - nut

[030] - 42284 - screw

[040] - X2200-230-097 - flange cartridge seal

[050] - 42042 - screw

[060] - 42012 - washer

Part: seal for blind plug

Part-Number: 38740

This seal is used for devices with blind plug, that means without ProClean. The seal has to be changed from the baking chamber.



Part: nut

Part-Number: 42010



Part: screw

Part-Number: 42284



Part: flange cartridge seal

Part-Number: X2200-230-097



Part: screw

Part-Number: 42042



Part: washer

Part-Number: 42012



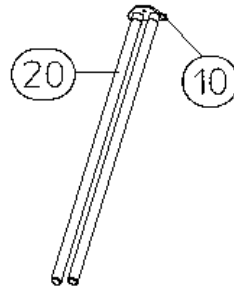
Service manual cascade rod

Version:

Ident:

Series:

Part-Number: X2200-230-101



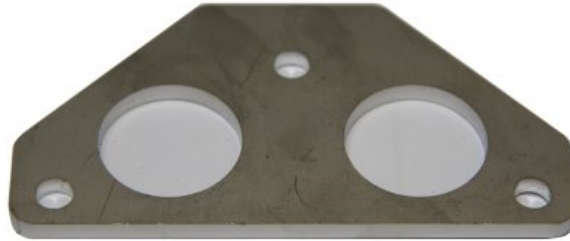
Chapter

[010] - X2200-230-094 - seal pure graphite

[020] - X2200-230-100 - cascade slat

Part: seal pure graphite

Part-Number: X2200-230-094



Part: cascade slat

Part-Number: X2200-230-100



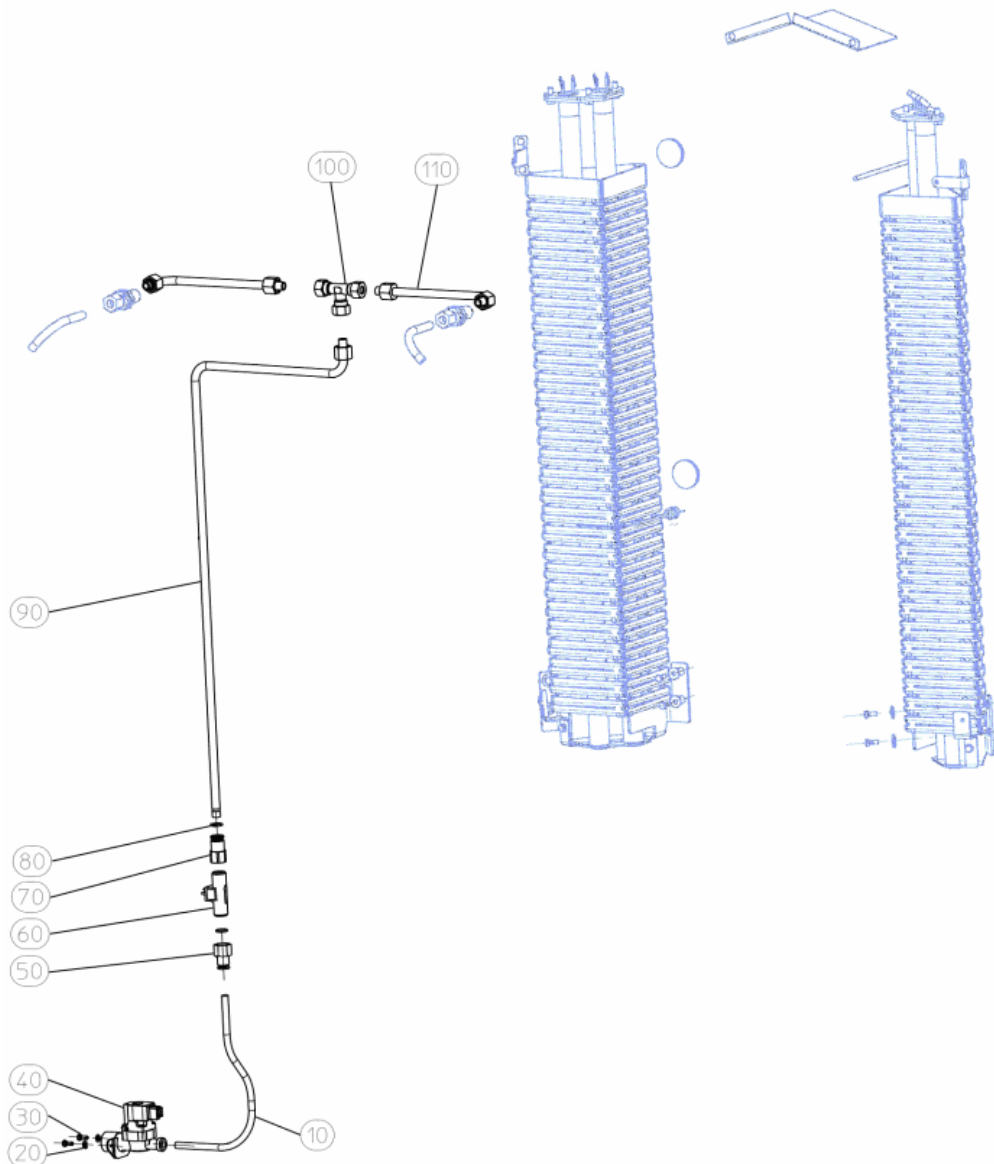
Service manual cascade steaming 3.01

Version:

Ident:

Series:

Part-Number: X2200-230-000



Chapter

- 9010-610-004 - o-ring
- 9030-140-003 - resistance thermometer Pt 500 (-50/+180°C)
- 9030-140-004 - resistance thermometer (SW13x145)
- [010] - X2200-210-013 - hose
- [020] - 42209 - washer
- [030] - 102617 - hexagon screw
- [040] - 9030-230-001 - electrical magnetic closure; Attention replaced by 9030-230-009
- [040] - 9030-230-009 - electrical magnetic closure 180° 3/4"
- [050] - 9060-110-002 - screws straight fastener
- [060] - 9060-510-001 - flow meter
- [070] - 9060-110-004 - screws straight
- [090] - X2200-230-035 - tube diameter 10

- [100] - 9060-125-001 - t-connection
- [110] - X2200-230-034 - tube diameter 10
- [120] - X2200-230-157 - pipe bend
- [130] - 33875 - bulkhead screwing straight
- [140] - X2200-230-038 - drop guard
- [150] - 42425 - washer
- [160] - 42284 - screw
- [170] - 9030-430-087 - cabel set cascade Dibas

Part: o-ring

Part-Number: 9010-610-004

Part: resistance thermometer Pt 500 (-50/+180°C)

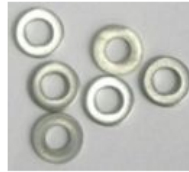
Part-Number: 9030-140-003

**Part: resistance thermometer (SW13x145)**

Part-Number: 9030-140-004

**Part: hose**

Part-Number: X2200-210-013

Part: washer**Part-Number: 42209****Part: hexagon screw****Part-Number: 102617****Part: electrical magnetic closure; Attention replaced by 9030-230-009****Part-Number: 9030-230-001****Part: electrical magnetic closure 180° 3/4"****Part-Number: 9030-230-009**

Part: screws straight fastener**Part-Number: 9060-110-002****Part: flow meter****Part-Number: 9060-510-001****Part: screws straight****Part-Number: 9060-110-004****Part: tube diameter 10****Part-Number: X2200-230-035**

Part: t-connection**Part-Number: 9060-125-001****Part: tube diameter 10****Part-Number: X2200-230-034****Part: pipe bend****Part-Number: X2200-230-157**

Part: bulkhead screwing straight

Part-Number: 33875

The bulkhead screwing is complete with a brass seal. Should a part be defective the complete fitting must be exchanged so that the seal can be guaranteed.



Part: drop guard

Part-Number: X2200-230-038



Part: washer

Part-Number: 42425



Part: screw

Part-Number: 42284



Part: cabel set cascade Dibas

Part-Number: 9030-430-087



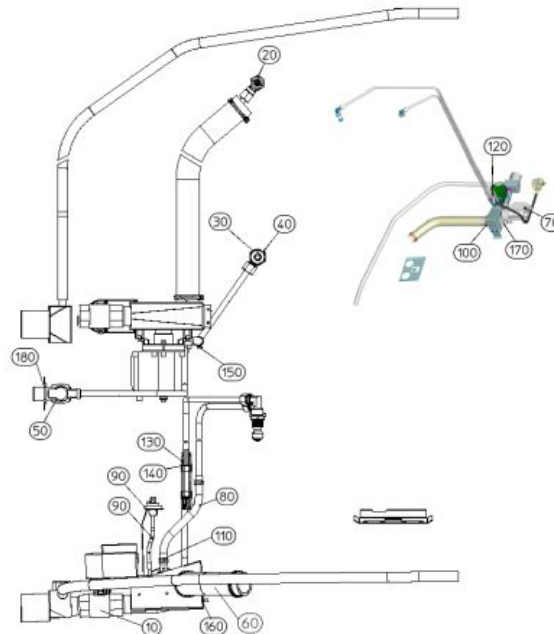
Service manual cleaning PCL

Version:

Ident:

Series:

Part-Number: X2200-810-000



Chapter

- [010] - 105572 - ball valve 1"
- [020] - 29738 - Spray nozzle ProClean complete, mounted
- [030] - 42244 - gasket ring D7603 32x28
- [040] - 33568 - hexagon nut
- [050] - 34472 - solenoid valve
- [050] - 9030-230-005 - electromagnetic valve; Attention replaced by 34472
- [060] - X2200-810-031 - silicone hose
- [070] - 9020-900-001 - circulation pump ProClean
- [080] - X2200-810-021 - silicone hose
- [090] - 37906 - membrane switch ProClean
- [091] - 40074 - silicone hose
- [100] - 9060-320-005 - hose clamp, 44x12mm
- [110] - 9060-320-003 - hose clamp, 13/12
- [120] - 9060-510-001 - flow meter
- [130] - 9060-110-004 - screws straight
- [140] - 9010-610-004 - o-ring
- [150] - 102613 - nut
- [160] - 42209 - washer
- [170] - 42210 - washer
- [180] - 102617 - hexagon screw
- [190] - 9030-430-047 - cable set ProClean Dibas
- [200] - 08624 - reduction G1/2 " G1/4

Part: ball valve 1"

Part-Number: 105572



Part: Spray nozzle ProClean complete, mounted

Part-Number: 29738

Depending on the type of cleaning system, either fresh water or fresh water with liquid Pro Clean Cleaner/Rinse will be sprayed by the ProClean jets into the oven. The rotating motion of the jet head will evenly spray the liquid around the oven. Please notify your customer to only use the recommended cleaning and rinse agents from the manufacturer. Check that the ProClean jets easily spray. Please note that in the Dibas series only short jets are used.



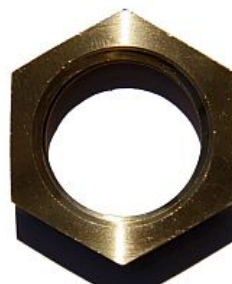
Part: gasket ring D7603 32x28

Part-Number: 42244



Part: hexagon nut

Part-Number: 33568



Part: solenoid valve

Part-Number: 34472

It is necessary to clean the dirt sieve of the solenoid valve regularly. Particles in the water line will stick to the sieve and interrupt the water flow. Please note the maximum water pressure and other warnings from the data sheets regarding the water connection. The solenoid valve works with a flow pressure of 150 - 600 kPa. You can test the solenoid valve function in the PC - Tool - Test. Attention the test is a continued test and this function is not protected from overload.



Part: electromagnetic valve; Attention replaced by 34472

Part-Number: 9030-230-005



Part: silicone hose

Part-Number: X2200-810-031

Part: circulation pump ProClean

Part-Number: 9020-900-001



Part: silicone hose

Part-Number: X2200-810-021

Part: membrane switch ProClean

Part-Number: 37906

The switch ProClean serves as a filling amount safety control. If the solenoid valve is over filled then the automatic self cleaning will not function. The pressure switch activates at 16mbar. The activation of the motor, heater and solenoid valve will be interrupted.



Part: silicone hose

Part-Number: 40074



Part: hose clamp, 44x12mm

Part-Number: 9060-320-005



Part: hose clamp, 13/12

Part-Number: 9060-320-003



Part: flow meter**Part-Number: 9060-510-001****Part: screws straight****Part-Number: 9060-110-004****Part: o-ring****Part-Number: 9010-610-004****Part: nut****Part-Number: 102613****Part: washer****Part-Number: 42209**

Part: washer

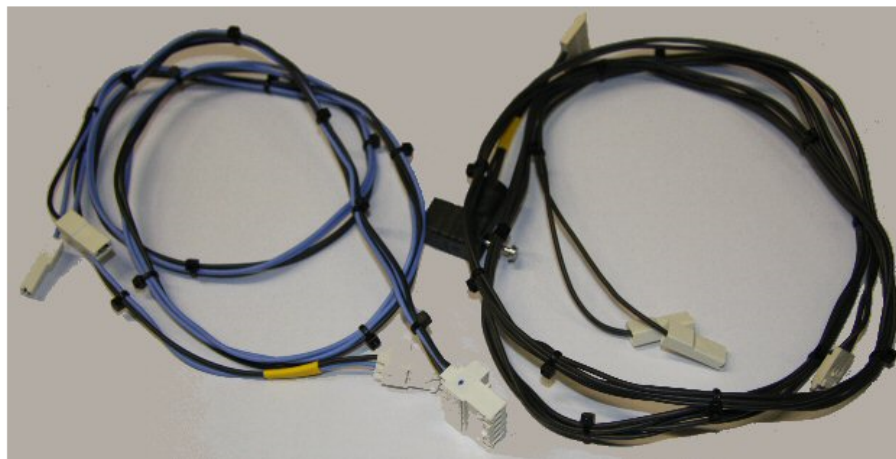
Part-Number: 42210

**Part: hexagon screw**

Part-Number: 102617

**Part: cable set ProClean Dibas**

Part-Number: 9030-430-047

**Part: reduction G1/2 " G1/4**

Part-Number: 08624



Service manual door seal, Dibas 64 L

Version:

Ident:

Series:

Part-Number: X2200-001-144

This part can be ordered.

Chapter

X2200-001-144 - Door seal Dibas 64 L; Attention replaced by X2200-001-210
X2200-001-210 - door sealing

Part: Door seal Dibas 64 L; Attention replaced by X2200-001-210

Part-Number: X2200-001-144



Part: door sealing

Part-Number: X2200-001-210

door sealing Dibas 64 S = 2000 mm door sealing Dibas 64 M = 2400 mm door sealing Dibas 64 L = 2800 mm door sealing Dibas 64 D-L = 2800 mm



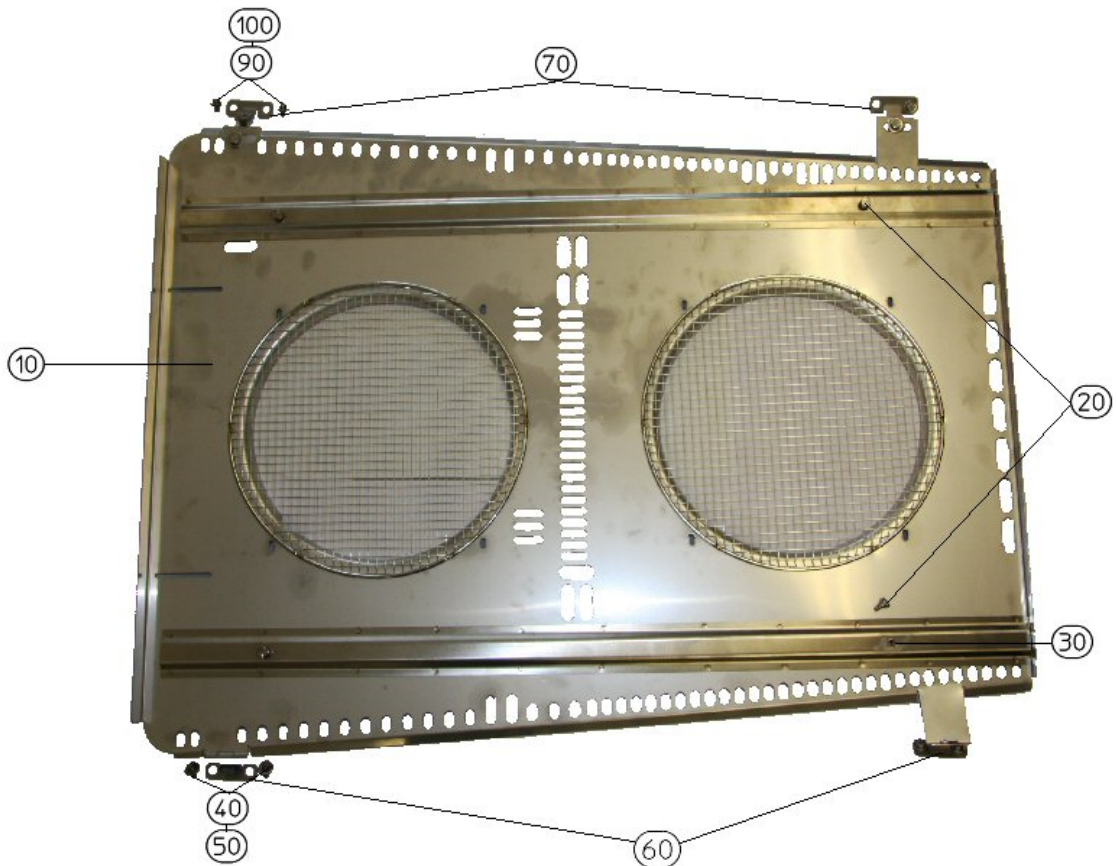
Service manual fan cover

Version:

Ident:

Series:

Part-Number: X2200-900-056



Chapter

- [010] - X2200-900-001 - fan cover
- [020] - X2200-900-082 - spacer block right-hand
- [020] - X2200-900-083 - spacer block left
- [030] - 42655 - hexagonal rivet nut
- [040] - 42031 - screw
- [050] - 42330 - washer
- [060] - X2200-900-071 - hinge angle
- [070] - X2200-900-070 - crabbing angle
- [080] - 42676 - rivet nut
- [090] - 9000-110-009 - screw
- [100] - 42210 - washer

Part: fan cover

Part-Number: X2200-900-001

Part: spacer block right-hand

Part-Number: X2200-900-082

**Part: spacer block left**

Part-Number: X2200-900-083

Part: hexagonal rivet nut

Part-Number: 42655

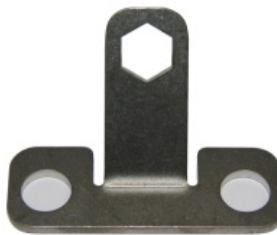
**Part: screw**

Part-Number: 42031

**Part: washer**

Part-Number: 42330



Part: hinge angle**Part-Number: X2200-900-071****Part: crabbing angle****Part-Number: X2200-900-070****Part: rivet nut****Part-Number: 42676****Part: screw****Part-Number: 9000-110-009****Part: washer****Part-Number: 42210**

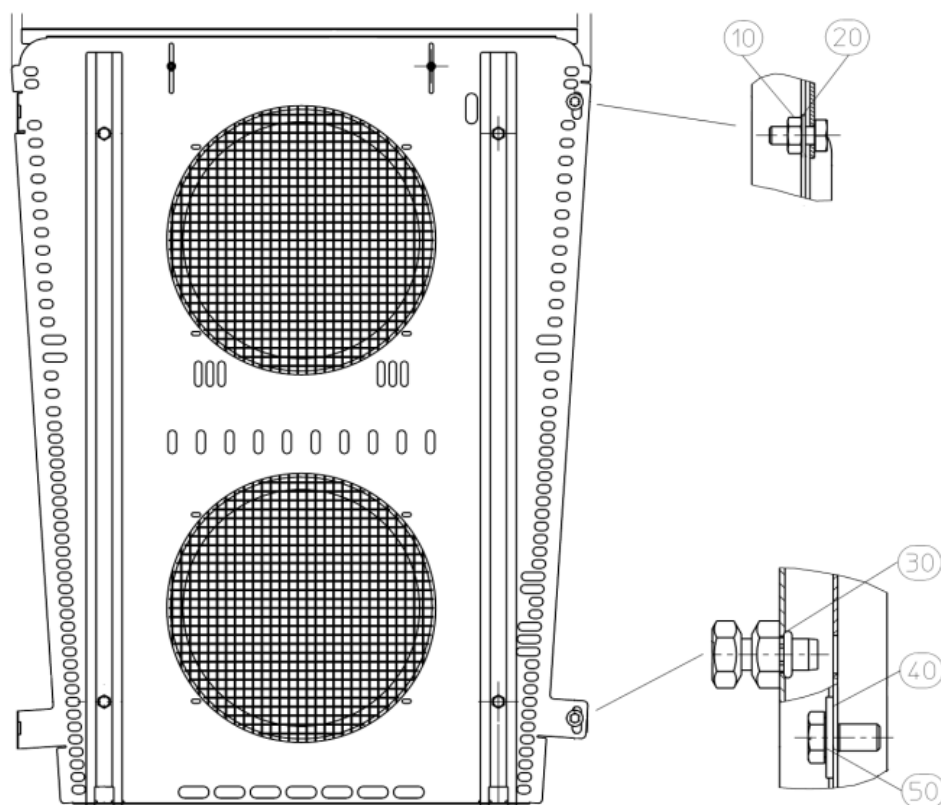
Service manual fan cover cascade

Version:

Ident:

Series:

Part-Number: X2200-900-056



Chapter

X2200-900-083 - spacer block left

X2200-900-084 - spacer block

[010] - 42008 - nut

[020] - 42209 - washer

[030] - 42655 - hexagonal rivet nut

[040] - 42330 - washer

[050] - 42031 - screw

Part: spacer block leftPart-Number: X2200-900-083

Part: spacer block

Part-Number: X2200-900-084

**Part: nut**

Part-Number: 42008

**Part: washer**

Part-Number: 42209

**Part: hexagonal rivet nut**

Part-Number: 42655

**Part: washer**

Part-Number: 42330



Part: screw

Part-Number: 42031



Service manual fan wheel cascade

Version:

Ident:

Series:

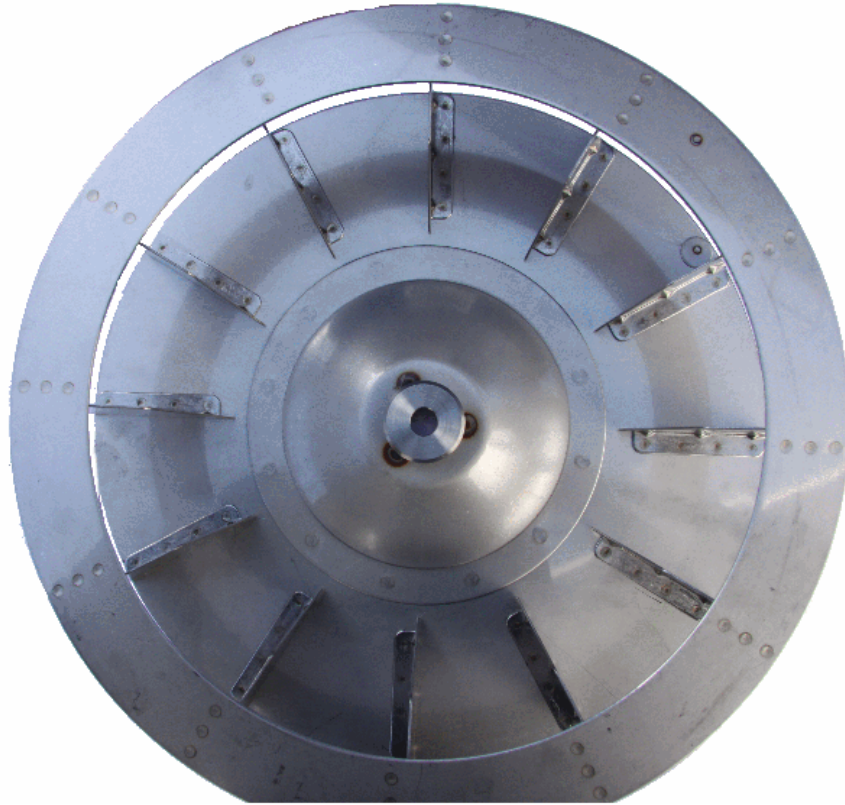
Part-Number:

Chapter

37484 - fan wheel with 12 shovel

Part: fan wheel with 12 shovel

Part-Number: 37484



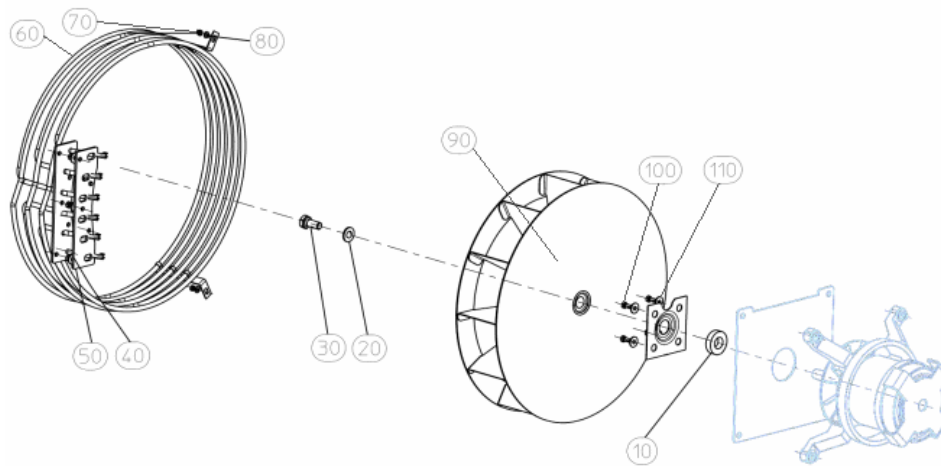
Service manual heater recirculating air pipe steaming

Version:

Ident:

Series:

Part-Number: X2200-300-000



Chapter

- [010] - 34047 - seal motor shaft
- [020] - 42204 - washer
- [030] - 102966 - screw
- [040] - 42674 - screw
- [050] - 9085-100-005 - sealing o-heater
- [060] - 9030-710-005 - o-heater 9kW 230V 50Hz
- [070] - 42008 - nut
- [080] - 42209 - washer
- [090] - 33862 - fan wheel
- [100] - 102618 - screw
- [110] - 42425 - washer
- [120] - 9020-110-002 - fan motor
- [130] - 42010 - nut
- [140] - 42201 - spring ring V2A M6
- [150] - 42330 - washer

Part: seal motor shaft

Part-Number: 34047

The motor shaft seal is a clean lead and seal against moisture at the back of the oven which could lead to disturbances. Therefore the following must be observed: Tighten the sealing plate after the motor is fastened, otherwise the motor shaft seal on the motor shaft is not guaranteed. This motor shaft seal must be replaced with each motor installation.



Part: washer

Part-Number: 42204



Part: screw

Part-Number: 102966



Part: screw

Part-Number: 42674



Part: sealing o-heater

Part-Number: 9085-100-005

When replacing the heater the seal must be replaced as well.



Part: o-heater 9kW 230V 50Hz

Part-Number: 9030-710-005

The ring heater is attached by two securing loops on the welded bolts on the oven wall with two nuts. The heater flange is secured with 5 hexagonal screws. The ring heater can be replaced. When replacing the ring heater the seal must be also be replaced. Work with thread free hexagonal screws to prevent damage that may be caused by heat.



Part: nut

Part-Number: 42008



Part: washer

Part-Number: 42209



Part: fan wheel

Part-Number: 33862

The manufacturer tested the fan wheel for imbalance. Keep away any direct heat from the fan wheel for e.g.. Blow lamps, otherwise the wheel will not run smoothly. An imbalance of the wheel will damage the motor and yield unsatisfactory baking results. The fan wheel is attached to the motor shaft and a fan wheel removal device must be used when replacing it. At any sign of imbalance the fan wheel must be replaced to prevent further damage.



Part: screw

Part-Number: 102618



Part: washer

Part-Number: 42425



Part: fan motor

Part-Number: 9020-110-002

For improved baking results the Hanning Motor has two rotating directions and several speeds. In ovens with the IS Control the speed is regulated by the Triac setter. In ovens with a manual control the contactor regulates the speed. The motor is secured with 4 M 6 nuts. The distance sleeves screws that are fixed by locknuts must always have the same height. Tighten the nuts diagonally to avoid tension. The motor has a built in thermo protection (bimetal) that activates at 160° C and automatically resets when cooled down. When the motor protection is activated the motor function is interrupted. Note that you should avoid speeds under 3 in the baking programs. If the fan wheel doesn't move easily or is unbalanced the motor spool may overheat. The thermo safety of the motor will activate and the complete operation will be interrupted. Check the fan wheel for imbalancing. Replace the fan. If a new motor is installed a new motor shaft seal (article number 34047) must be used. Also, the counternuts must be diagonally fastened to avoid tension. The motor has a built in thermo protection (bimetal) that activates at 160° C and automatically resets when cooled down.



Part: nut

Part-Number: 42010



Part: spring ring V2A M6

Part-Number: 42201



Part: washer

Part-Number: 42330



Service manual

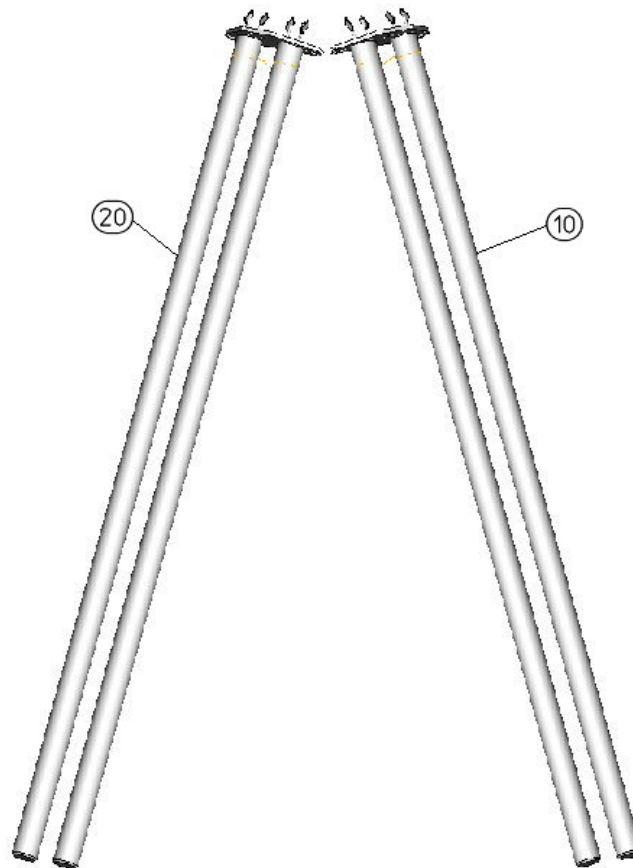
heating cartridge cascade Dibas 64 L

Version:

Ident:

Series:

Part-Number: X2200-230-005



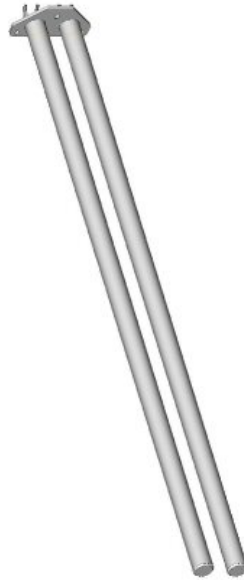
Chapter

[010] - 9030-750-004 - heating cartridge cascade, left side, Dibas 64 L

[020] - 9030-750-003 - heating cartridge cascade, right side, Dibas 64 L

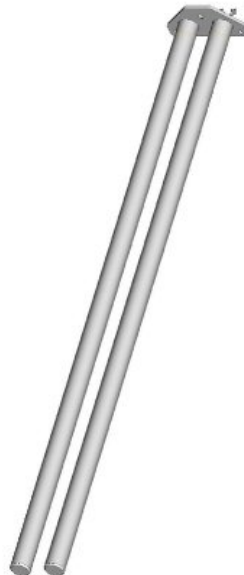
Part: heating cartridge cascade, left side, Dibas 64 L

Part-Number: 9030-750-004



Part: heating cartridge cascade, right side, Dibas 64 L

Part-Number: 9030-750-003



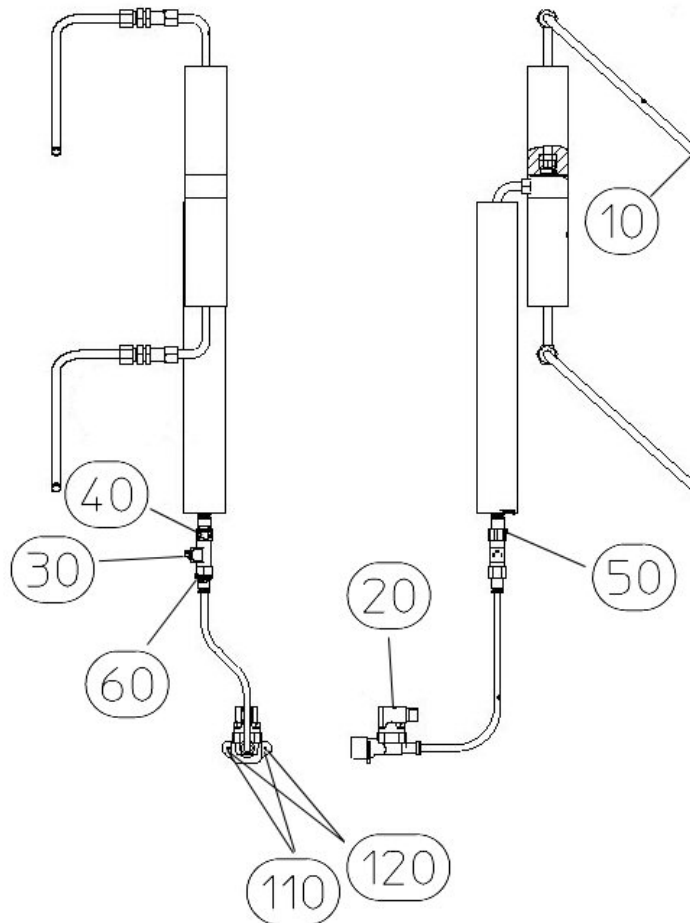
Service manual steaming

Version:

Ident:

Series:

Part-Number: X2200-210-000



Chapter

- 9030-140-002 - resistance thermometer (SW13x125)
- [010] - 101385 - screw
- [020] - 9030-230-001 - electrical magnetic closure; Attention replaced by 9030-230-009
- [020] - 9030-230-009 - electrical magnetic closure 180° 3/4"
- [030] - 9060-510-001 - flow meter
- [040] - 9010-610-004 - o-ring
- [050] - 9060-110-004 - screws straight
- [060] - 9060-110-002 - screws straight fastener
- [070] - 42655 - hexagonal rivet nut
- [080] - 9030-140-005 - thermocouple
- [090] - 9000-110-067 - screw
- [100] - 9000-310-004 - washer
- [110] - 102617 - hexagon screw
- [120] - 42209 - washer

Part: resistance thermometer (SW13x125)

Part-Number: 9030-140-002

The temperature sensor PT 500 is used for devices with digital control and deck ovens with a night launch. The electronics calculated from the determined values ??of the sensor, the actual temperature.



Part: screw

Part-Number: 101385



Part: electrical magnetic closure; Attention replaced by 9030-230-009

Part-Number: 9030-230-001



Part: electrical magnetic closure 180° 3/4"Part-Number: 9030-230-009

Part: flow meter

Part-Number: 9060-510-001

**Part: o-ring**Part-Number: 9010-610-004

Part: screws straight

Part-Number: 9060-110-004

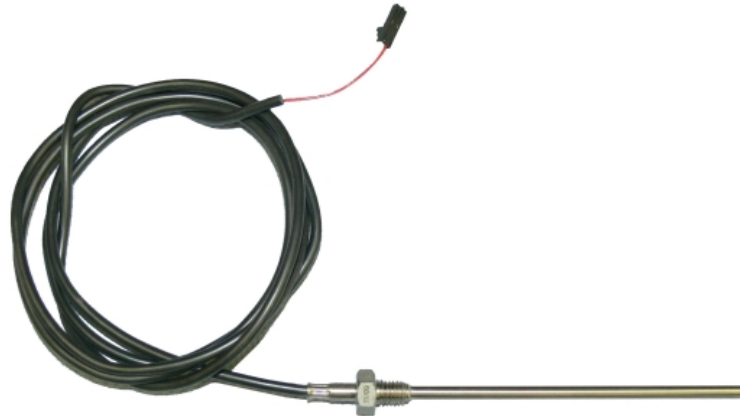
**Part: screws straight fastener**

Part-Number: 9060-110-002

**Part: hexagonal rivet nut**

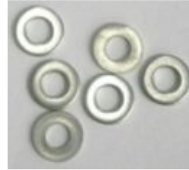
Part-Number: 42655



Part: thermocouple**Part-Number: 9030-140-005****Part: screw****Part-Number: 9000-110-067****Part: washer****Part-Number: 9000-310-004****Part: hexagon screw****Part-Number: 102617**

Part: washer

Part-Number: 42209



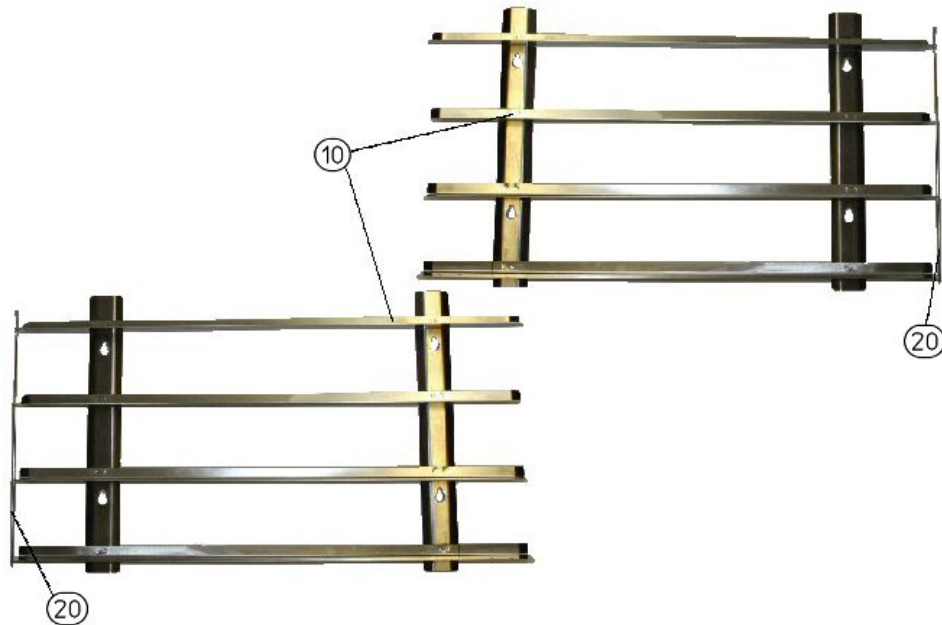
Service manual tray set 10 plates

Version:

Ident:

Series:

Part-Number: X2200-900-080



Chapter

X0002-910-096 - cartridge holder

[010] - X2200-900-161 - trays with 10 plates

[020] - X2200-900-013 - rod

Part: cartridge holder

Part-Number: X0002-910-096

Part: trays with 10 plates

Part-Number: X2200-900-161



Part: rod

Part-Number: X2200-900-013



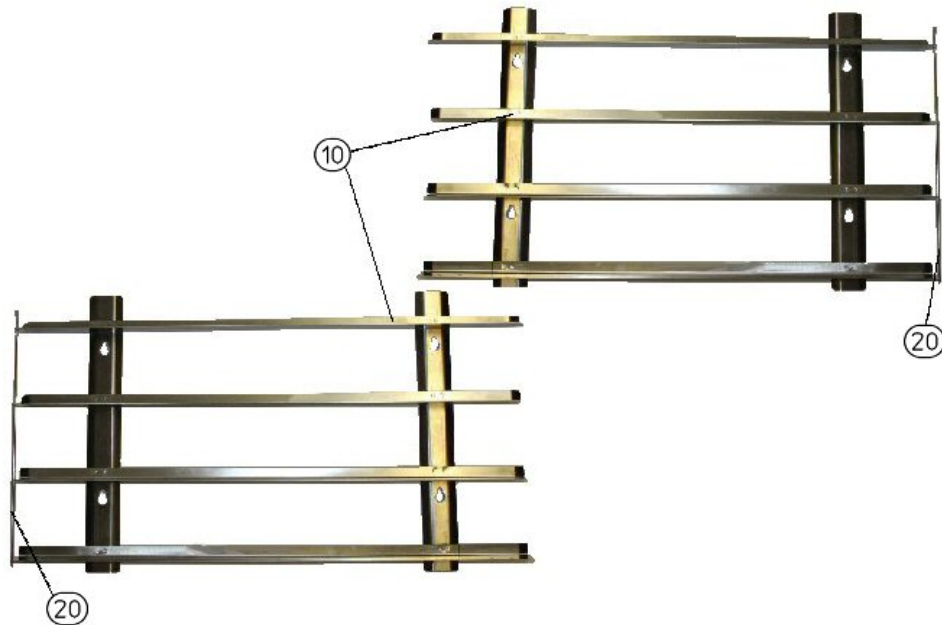
Service manual tray set 8 plates

Version:

Ident:

Series:

Part-Number: X2200-900-060



Chapter

- X0002-910-096 - cartridge holder
- [010] - X2200-900-061 - tray 8 plates
- [020] - X2200-900-013 - rod

Part: cartridge holder

Part-Number: X0002-910-096

Part: tray 8 plates

Part-Number: X2200-900-061



Part: rod

Part-Number: X2200-900-013



Service manual control Dibas L

Version:

Ident:

Series:

Part-Number:

Chapter

X2200-350-000 - control 400V 3.01 - V:

galls touch panel Comfort - V:

glass touch panel Classic - V:

glass touch panel Exclusive - V:

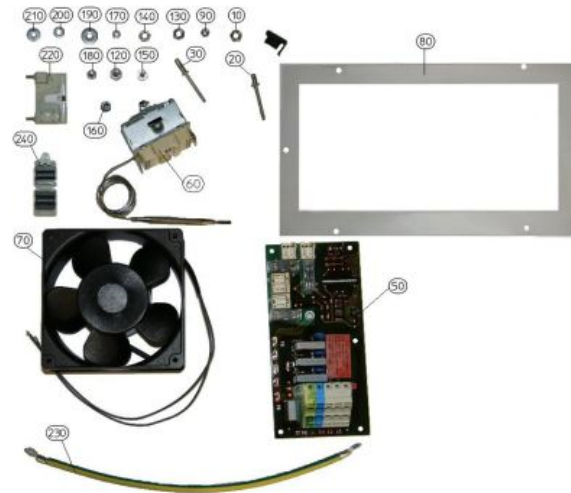
Service manual control 400V 3.01

Version:

Ident:

Series:

Part-Number: X2200-350-000



Chapter

- 36583 - ferrite core R3615X
- 38327 - plug 2-pole
- 9030-330-001 - motherboard universal
- 9030-330-005 - option board
- 9030-340-003 - frequency converter board
- 9030-435-002 - micro fuse 16 A
- X2200-353-053 - cover USB interface
- [010] - 42010 - nut
- [020] - 42485 - blind rivet
- [030] - 42633 - blind rivet
- [040] - 9030-350-010 - power unit Dibas
- [050] - 9030-330-002 - terminal board passive
- [060] - 100627 - safety limit switch (+340°C)
- [070] - 33906 - axial blower 15W
- [080] - X2200-350-120 - seal
- [090] - 102613 - nut
- [100] - 9030-430-031 - connecting cable 5x4qmmx25
- [110] - X2200-353-043 - seal
- [120] - 42031 - screw
- [130] - 102615 - screw nut
- [140] - 42283 - nut
- [150] - 40362 - screw
- [160] - 37976 - nut
- [170] - 42008 - nut
- [180] - 102618 - screw
- [190] - 42425 - washer
- [200] - 42210 - washer
- [210] - 42487 - washer
- [220] - 38866 - main contactor
- [230] - 62408 - ground cable 10mm²
- [240] - 9030-485-001 - ferrite core diameter 8

Part: ferrite core R3615X**Part-Number: 36583****Part: plug 2-pole****Part-Number: 38327****Part: motherboard universal****Part-Number: 9030-330-001****Part: option board****Part-Number: 9030-330-005**

Part: frequency converter board

Part-Number: 9030-340-003

From serial number 10197228 was it implemented in production. Prior to this serial number, the work instruction is AA-27-0325a valid.



Part: micro fuse 16 A

Part-Number: 9030-435-002



Part: cover USB interface

Part-Number: X2200-353-053



Part: nut

Part-Number: 42010



Part: blind rivet**Part-Number: 42485****Part: blind rivet****Part-Number: 42633****Part: power unit Dibas****Part-Number: 9030-350-010****Part: terminal board passive****Part-Number: 9030-330-002**

Part: safety limit switch (+340°C)

Part-Number: 100627

The safety temperature limit switch (STB) is activated at temperatures of -5°C (and lower) and $+329^{\circ}\text{C}$ (and higher). The oven will not operate when this is activated. The STB is part of the safety chain and can be manually re-set. Warning, when the STB is activated the cause must be resolved. Insulate the capillary tube (e.g. on the circuit board) on its critical spots with silicone hose Article number 40074.

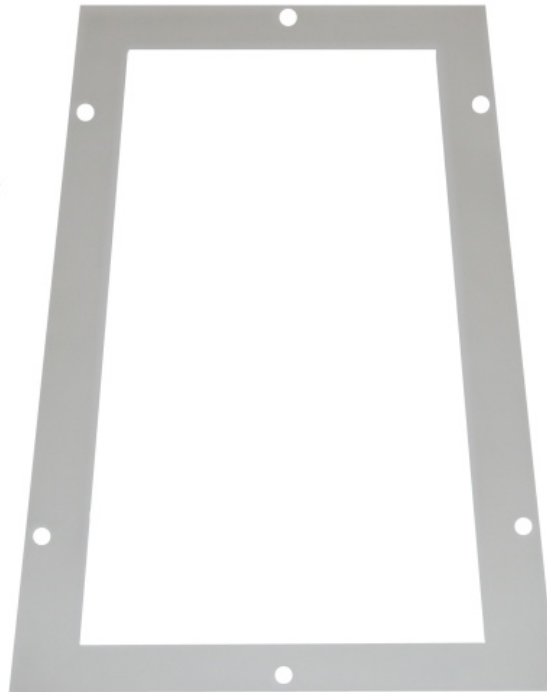


Part: axial blower 15W

Part-Number: 33906

The axial blower regulates the temperature in the installation room. Warm air is blown outside and cool air blown inside the room. Please note the arrow direction of the air flow when installing the axial flow fan.



Part: seal**Part-Number: X2200-350-120****Part: nut****Part-Number: 102613****Part: connecting cable 5x4qmmx25****Part-Number: 9030-430-031****Part: seal****Part-Number: X2200-353-043**

Part: screw**Part-Number: 42031****Part: screw nut****Part-Number: 102615****Part: nut****Part-Number: 42283****Part: screw****Part-Number: 40362****Part: nut****Part-Number: 37976**

Part: nut

Part-Number: 42008



Part: screw

Part-Number: 102618



Part: washer

Part-Number: 42425



Part: washer

Part-Number: 42210



Part: washer

Part-Number: 42487



Part: main contactor

Part-Number: 38866

If the safety temperature limit (STB) activates, the main safety switch will not switch on. Neither will it switch on when the internal fuses of the power element or the external fuses are defective. The oven will not operate. As soon as the STB is deactivated or the power supply continued, the main safety switch turns on and the power will be forwarded.



Part: ground cable 10mm²

Part-Number: 62408



Part: ferrite core diameter 8

Part-Number: 9030-485-001



Service manual galls touch panel Comfort

Version:

Ident:

Series:

Part-Number:



Chapter

X2200-355-051 - galls touch panel Comfort - V:

X2200-355-056 - glass touch panel Comfort nostalgia, Dibas 64 L - V:

Service manual galls touch panel Comfort

Version:

Ident:

Series:

Part-Number: X2200-355-051



Chapter

[010] - 9030-320-005 - glass operating unit Comfort Dibas/Ebo

[020] - 9030-430-078 - data cable 3m

Part: glass operating unit Comfort Dibas/Ebo

Part-Number: 9030-320-005



Part: data cable 3m

Part-Number: 9030-430-078



Service manual glass touch panel Comfort nostalgia, Dibas 64 L

Version:

Ident:

Series:

Part-Number: X2200-355-056



Chapter

[010] - 9030-320-012 - glass operating unit Comfort nostalgia

[020] - 9030-430-078 - date cable 3m

Part: glass operating unit Comfort nostalgia

Part-Number: 9030-320-012



Part: data cable 3m

Part-Number: 9030-430-078



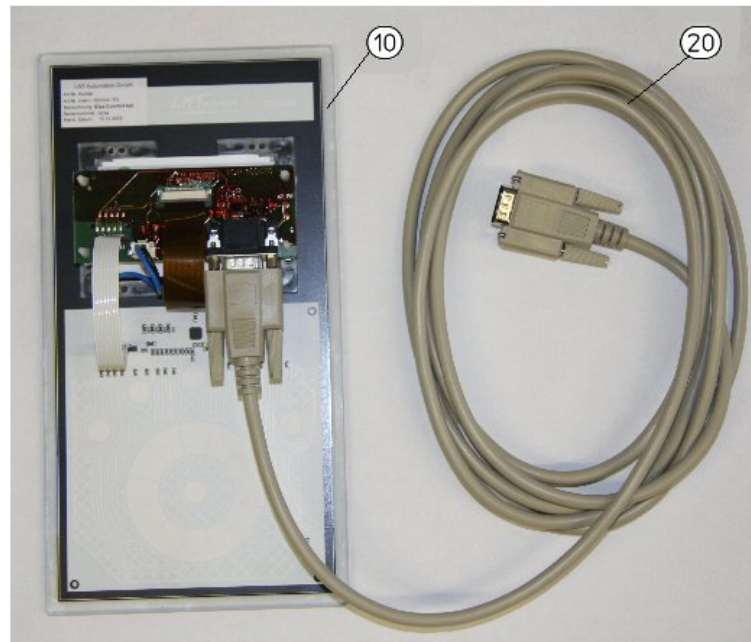
Service manual glass touch panel Classic

Version:

Ident:

Series:

Part-Number:



Chapter

X2200-355-052 - glass touch panel Classic - V:

X2200-355-057 - glass touch panel Classic nostalgia, Dibas 64 L - V:

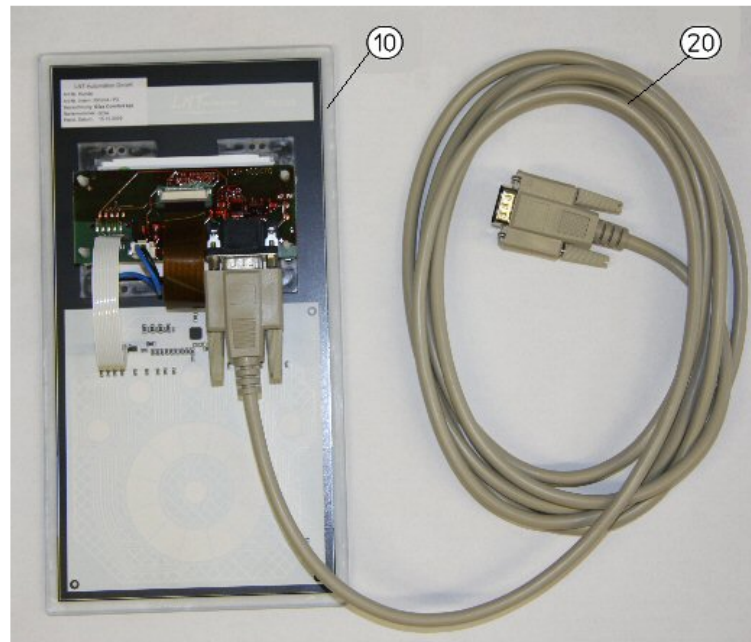
Service manual glass touch panel Classic

Version:

Ident:

Series:

Part-Number: X2200-355-052



Chapter

[010] - 9030-320-006 - glass operating unit Classic Dibas/Ebo

[020] - 9030-430-078 - date cable 3m

Part: glass operating unit Classic Dibas/Ebo

Part-Number: 9030-320-006



Part: data cable 3m

Part-Number: 9030-430-078



Service manual glass touch panel Classic nostalgia, Dibas 64 L

Version:

Ident:

Series:

Part-Number: X2200-355-057



Chapter

[010] - 9030-320-011 - glass operating unit Classic nostalgia

[020] - 9030-430-078 - date cable 3m

Part: glass operating unit Classic nostalgia

Part-Number: 9030-320-011



Part: data cable 3m

Part-Number: 9030-430-078



Service manual glass touch panel Exclusive

Version:

Ident:

Series:

Part-Number:

Chapter

X2200-355-050 - glass touch panel Exclusive - V:

X2200-355-055 - glass touch panel Exclusive nostalgia, Dibas 64 L - V:

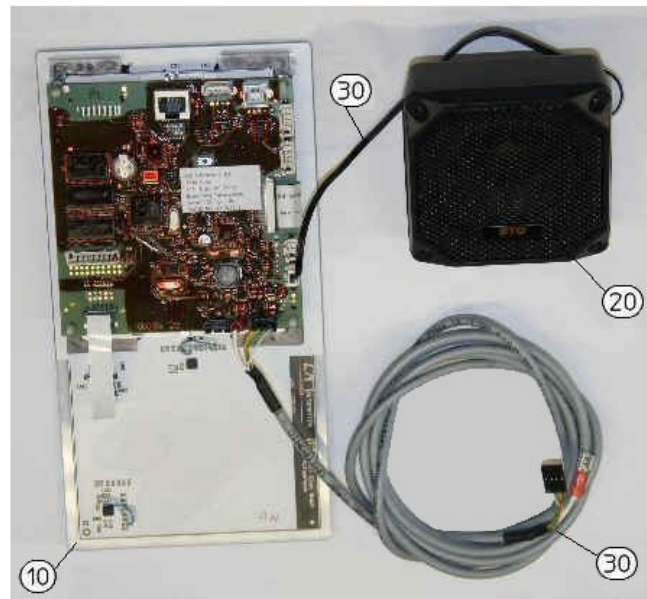
Service manual glass touch panel Exclusive

Version:

Ident:

Series:

Part-Number: X2200-355-050



Chapter

9030-430-053 - cable set Exclusive Dibas 64 L

[010] - 9030-320-004 - glass operating unit Exclusive Dibas/Ebo

[020] - 38400 - loudspeaker

[030] - 9030-430-088 - cable USB-extension

Part: cable set Exclusive Dibas 64 L

Part-Number: 9030-430-053



Part: glass operating unit Exclusive Dibas/Ebo

Part-Number: 9030-320-004



Part: loudspeaker

Part-Number: 38400

The loud speaker signal serves as an acoustic signal. For example notification is given for "temperature reached". "end of program". As well as when opening the door a short gong will sound. If the gong does not work, first of all check the appliance settings. You can reach the menu point "Gong" by going to "Settings - Appliance Settings - Gong". Here you can set the volume and intervals of the sound. If the volume and interval is set to 0 no acoustic signal will be given. Test the gong, by going to the PC-Tool - Function Test. Warning! The PC-Tool- Function test is an endurance test and is not protected from overload!



Part: cable USB-extension

Part-Number: 9030-430-088



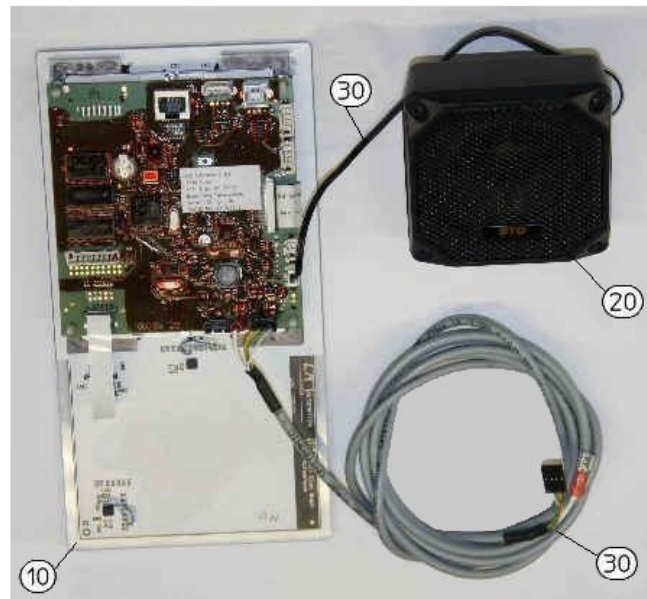
Service manual glass touch panel Exclusive nostalgia, Dibas 64 L

Version:

Ident:

Series:

Part-Number: X2200-355-055



Chapter

9030-430-053 - cable set Exclusive Dibas 64 L

[010] - 9030-320-013 - glass operating unit Exclusive nostalgia

[020] - 38400 - loudspeaker

[030] - 9030-430-088 - cable USB-extension

Part: cable set Exclusive Dibas 64 L**Part-Number: 9030-430-053****Part: glass operating unit Exclusive nostalgia****Part-Number: 9030-320-013**

Part: loudspeaker

Part-Number: 38400

The loud speaker signal serves as an acoustic signal. For example notification is given for "temperature reached". "end of program". As well as when opening the door a short gong will sound. If the gong does not work, first of all check the appliance settings. You can reach the menu point "Gong" by going to "Settings - Appliance Settings - Gong". Here you can set the volume and intervals of the sound. If the volume and interval is set to 0 no acoustic signal will be given. Test the gong, by going to the PC-Tool - Function Test. Warning! The PC-Tool- Function test is an endurance test and is not protected from overload!



Part: cable USB-extension

Part-Number: 9030-430-088



Service manual door Dibas L

Version:

Ident:

Series:

Part-Number:

Chapter

X2200-450-000 - connection part sliding door automatic - V:
X2200-454-000 - connection part sliding door manual SV - V:
X2200-452-000 - connection part sliding door manual - V:
X2200-405-050 - control door drive - V:
X2200-455-000 - door latch PCL, Dibas 64 L - V:
X2200-455-090 - door latch SL, Dibas 64 L - V:
X2200-400-001 - door mechanism 3.01 - V:
X2200-405-000 - door opening drive 2.02 - V:
2200-400-055 - servo - V:
X2200-450-070 - sliding door automatic - V:
X2200-452-070 - sliding door manual - V:

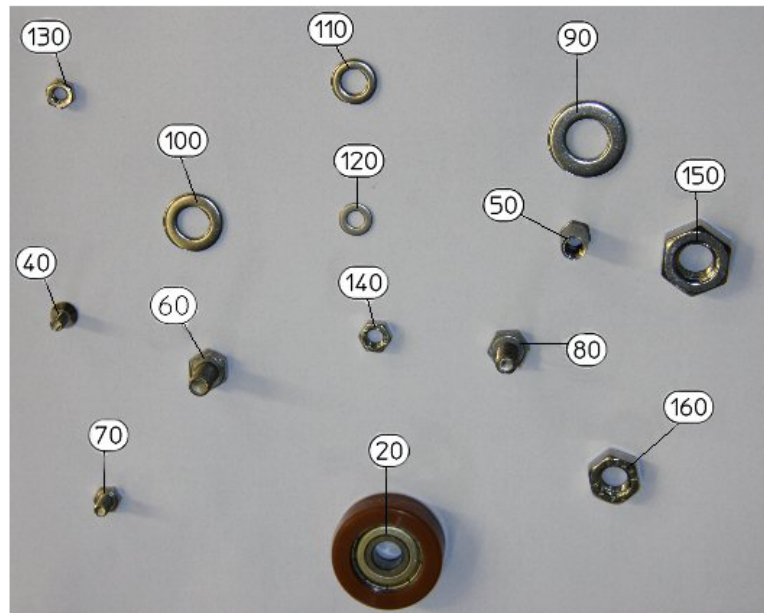
Service manual connection part sliding door automatic

Version:

Ident:

Series:

Part-Number: X2200-450-000



Chapter

- [010] - X2200-450-048 - disk
- [020] - 9050-140-001 - guiding wheel
- [030] - 9010-140-002 - tension spring RZ 088I
- [040] - 42251 - screw
- [050] - 42655 - hexagonal rivet nut
- [060] - 42031 - screw
- [070] - 42483 - screw
- [080] - 102619 - screw
- [090] - 42204 - washer
- [100] - 42022 - washer
- [110] - 42012 - washer
- [120] - 42209 - washer
- [130] - 42008 - nut
- [140] - 42034 - nut
- [150] - 42073 - nut
- [160] - 42072 - nut

Part: disk**Part-Number: X2200-450-048****Part: guiding wheel****Part-Number: 9050-140-001****Part: tension spring RZ 088l****Part-Number: 9010-140-002****Part: screw****Part-Number: 42251****Part: hexagonal rivet nut****Part-Number: 42655**

Part: screw

Part-Number: 42031



Part: screw

Part-Number: 42483



Part: screw

Part-Number: 102619



Part: washer

Part-Number: 42204



Part: washer

Part-Number: 42022



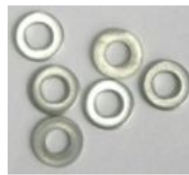
Part: washer

Part-Number: 42012



Part: washer

Part-Number: 42209



Part: nut

Part-Number: 42008



Part: nut

Part-Number: 42034



Part: nut

Part-Number: 42073



Part: nut

Part-Number: 42072



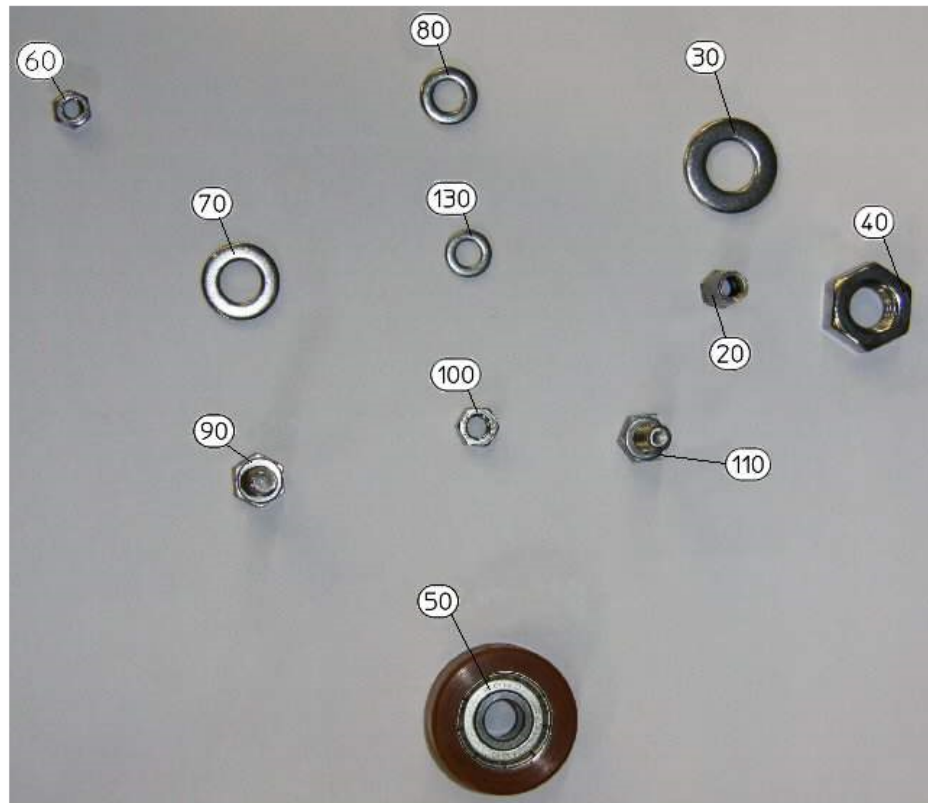
Service manual connection part sliding door manual SV

Version:

Ident:

Series:

Part-Number: X2200-454-000



Chapter

- [010] - X2200-450-048 - disk
- [020] - 42655 - hexagonal rivet nut
- [030] - 42204 - washer
- [040] - 42073 - nut
- [050] - 9050-140-001 - guiding wheel
- [060] - 42008 - nut
- [070] - 42022 - washer
- [080] - 42012 - washer
- [090] - 42031 - screw
- [100] - 42034 - nut
- [110] - 102619 - screw
- [130] - 42210 - washer
- [140] - 9000-110-062 - screw
- [150] - 9000-110-063 - screw

Part: disk**Part-Number: X2200-450-048****Part: hexagonal rivet nut****Part-Number: 42655****Part: washer****Part-Number: 42204****Part: nut****Part-Number: 42073****Part: guiding wheel****Part-Number: 9050-140-001**

Part: nut

Part-Number: 42008



Part: washer

Part-Number: 42022



Part: washer

Part-Number: 42012



Part: screw

Part-Number: 42031



Part: nut

Part-Number: 42034



Part: screw

Part-Number: 102619



Part: washer

Part-Number: 42210



Part: screw

Part-Number: 9000-110-062



Part: screw

Part-Number: 9000-110-063



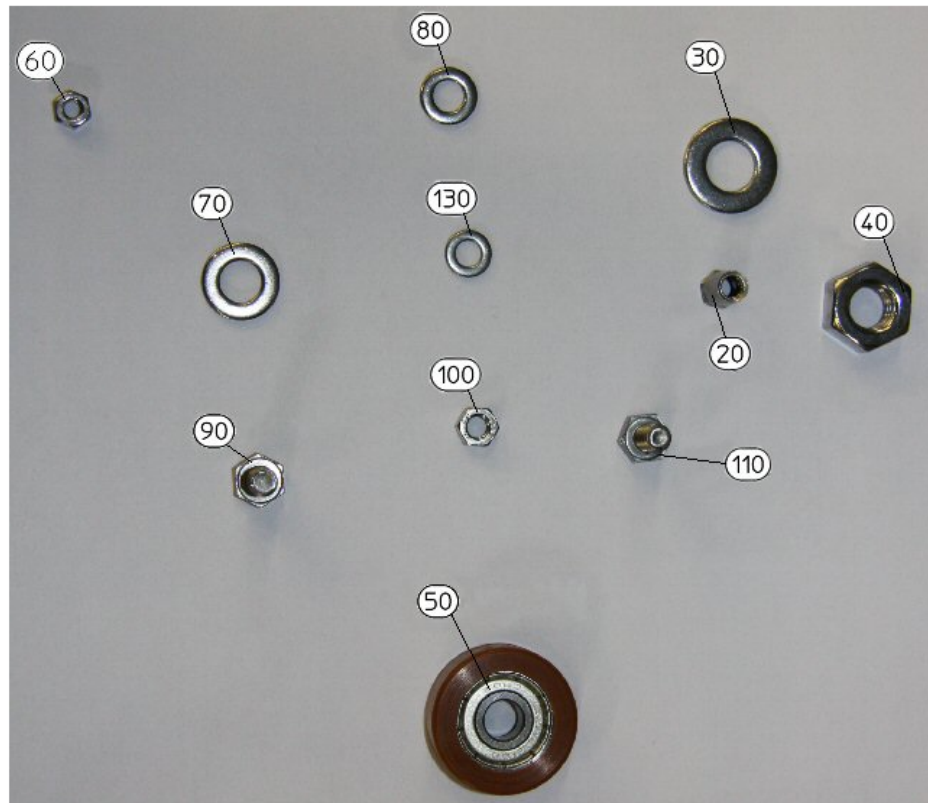
Service manual connection part sliding door manuell

Version:

Ident:

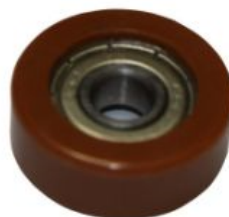
Series:

Part-Number: X2200-452-000



Chapter

- [010] - X2200-450-048 - disk
- [020] - 42655 - hexagonal rivet nut
- [030] - 42204 - washer
- [040] - 42073 - nut
- [050] - 9050-140-001 - guiding wheel
- [060] - 42008 - nut
- [070] - 42022 - washer
- [080] - 42012 - washer
- [090] - 42031 - screw
- [100] - 42034 - nut
- [110] - 102619 - screw
- [130] - 42210 - washer
- [140] - 9000-110-062 - screw
- [150] - 9000-110-063 - screw

Part: disk**Part-Number: X2200-450-048****Part: hexagonal rivet nut****Part-Number: 42655****Part: washer****Part-Number: 42204****Part: nut****Part-Number: 42073****Part: guiding wheel****Part-Number: 9050-140-001**

Part: nut

Part-Number: 42008



Part: washer

Part-Number: 42022



Part: washer

Part-Number: 42012



Part: screw

Part-Number: 42031



Part: nut

Part-Number: 42034



Part: screw

Part-Number: 102619



Part: washer

Part-Number: 42210



Part: screw

Part-Number: 9000-110-062



Part: screw

Part-Number: 9000-110-063



Service manual control door drive

Version:

Ident:

Series:

Part-Number: X2200-405-050



10



20



30



40

Chapter

[010] - 9030-330-005 - option board

[020] - 40362 - screw

[030] - 37976 - nut

[040] - 42008 - nut

Part: option board**Part-Number: 9030-330-005****Part: screw****Part-Number: 40362****Part: nut****Part-Number: 37976****Part: nut****Part-Number: 42008**

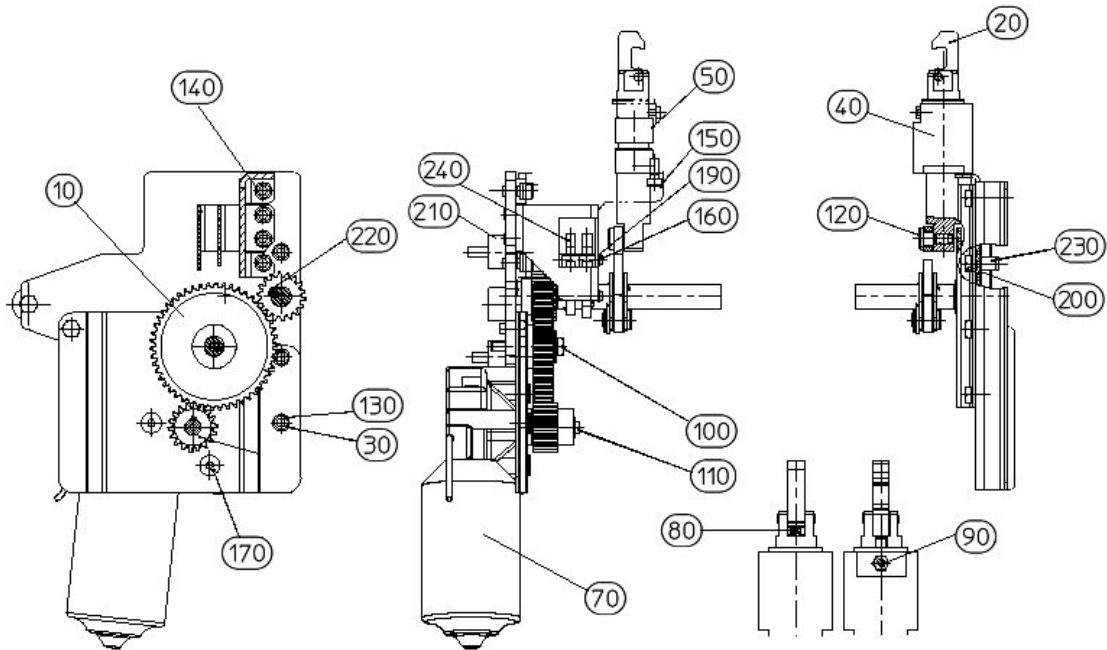
Service manual door latch PCL, Dibas 64 L

Version:

Ident:

Series:

Part-Number: X2200-455-000



Chapter

- EX2200-455-095 - hook locked servo, pre-mounted
- EX2200-455-096 - hook locked autom., pre-mounted
- [010] - 9010-310-001 - gear modul 1,5 50 sprockets
- [020] - X2200-455-016 - snapper
- [030] - 104863 - lock washer
- [040] - 9000-145-001 - ball pressure screw
- [050] - 9010-445-002 - bush
- [070] - 105247 - transmission motor
- [080] - 9010-110-003 - pressure spring
- [090] - 9000-210-003 - nut electroplated
- [100] - 42096 - screw
- [110] - 42392 - screw
- [120] - 104972 - screw
- [130] - 9000-120-014 - screw DIN 912
- [140] - 42450 - screw
- [150] - 9000-120-011 - screw DIN912 M5x12
- [160] - 101722 - screw
- [170] - 42504 - screw DIN7991 M6x20
- [190] - 42319 - washer
- [200] - 102619 - screw
- [210] - 102618 - screw
- [220] - 9000-510-001 - feather key
- [230] - 42676 - rivet nut

Part: hook locked servo, pre-mounted**Part-Number: EX2200-455-095****Part: hook locked autom., pre-mounted****Part-Number: EX2200-455-096****Part: gear modul 1,5 50 sprockets****Part-Number: 9010-310-001**

Part: snapper**Part-Number: X2200-455-016****Part: lock washer****Part-Number: 104863****Part: ball pressure screw****Part-Number: 9000-145-001****Part: bush****Part-Number: 9010-445-002**

Part: transmission motor**Part-Number: 105247****Part: pressure spring****Part-Number: 9010-110-003****Part: nut electroplated****Part-Number: 9000-210-003****Part: screw****Part-Number: 42096****Part: screw****Part-Number: 42392**

Part: screw**Part-Number: 104972****Part: screw DIN 912****Part-Number: 9000-120-014****Part: screw****Part-Number: 42450****Part: screw DIN912 M5x12****Part-Number: 9000-120-011****Part: screw****Part-Number: 101722**

Part: screw DIN7991 M6x20**Part-Number: 42504****Part: washer****Part-Number: 42319****Part: screw****Part-Number: 102619****Part: screw****Part-Number: 102618****Part: feather key****Part-Number: 9000-510-001****Part: rivet nut****Part-Number: 42676**

Service manual door latch SL, Dibas 64 L

Version:

Ident:

Series:

Part-Number: X2200-455-090

Chapter

101722 - screw
102618 - screw
102619 - screw
104972 - screw
42022 - washer
42096 - screw
42319 - washer
42392 - screw
42450 - screw
42504 - screw DIN7991 M6x20
9000-120-011 - screw DIN912 M5x12
9000-120-014 - screw DIN 912
9000-210-003 - nut electroplated
9010-310-001 - gear modul 1,5 50 sprockets
9010-510-002 - circlip
X2200-455-058 - cogwheel m 1,5 18 teeth
X2200-455-067 - cogwheel SB 18 teeth
X2200-455-068 - bolt
X2200-455-080 - drive shaft

Part: screw

Part-Number: 101722



Part: screw

Part-Number: 102618



Part: screw

Part-Number: 102619



Part: screw

Part-Number: 104972



Part: washer

Part-Number: 42022



Part: screw**Part-Number: 42096****Part: washer****Part-Number: 42319****Part: screw****Part-Number: 42392****Part: screw****Part-Number: 42450****Part: screw DIN7991 M6x20****Part-Number: 42504**

Part: screw DIN912 M5x12

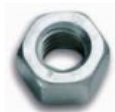
Part-Number: 9000-120-011

**Part: screw DIN 912**

Part-Number: 9000-120-014

**Part: nut electroplated**

Part-Number: 9000-210-003

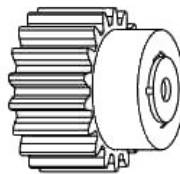
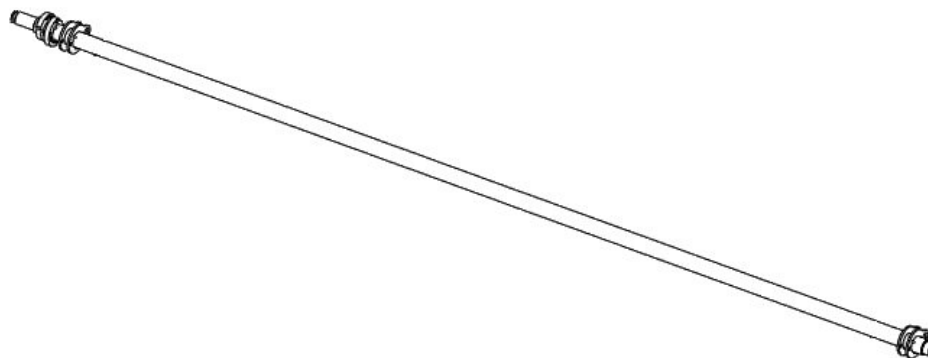
**Part: gear modul 1,5 50 sprockets**

Part-Number: 9010-310-001

**Part: circlip**

Part-Number: 9010-510-002



Part: cogwheel m 1,5 18 teeth**Part-Number: X2200-455-058****Part: cogwheel SB 18 teeth****Part-Number: X2200-455-067****Part: bolt****Part-Number: X2200-455-068****Part: drive shaft****Part-Number: X2200-455-080**

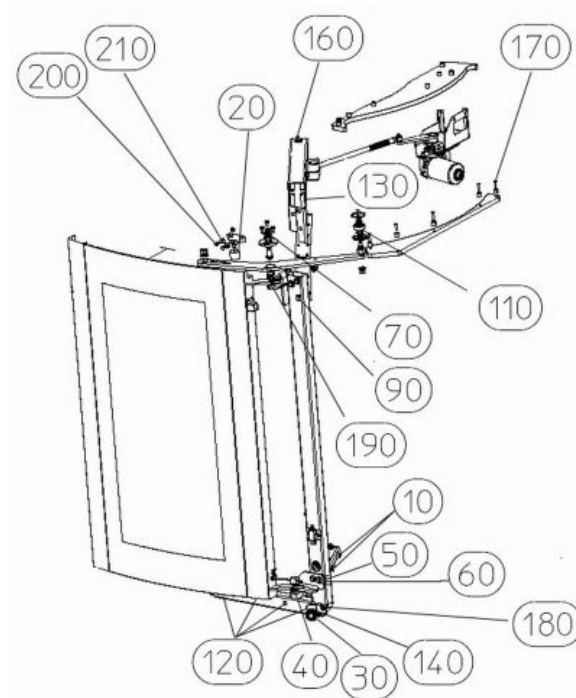
Service manual door mechanism 3.01

Version:

Ident:

Series:

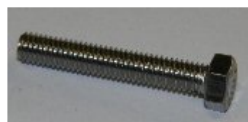
Part-Number: X2200-400-001



Chapter

- 9000-120-014 - screw DIN 912
- [010] - 9030-450-001 - connector clip, 6mm borehole
- [020] - 9040-510-001 - buffer
- [030] - 42103 - screw
- [040] - 42095 - screw
- [050] - 42042 - screw
- [060] - 42330 - washer
- [070] - 42334 - washer
- [090] - 104344 - hexagon screw
- [100] - 9000-110-064 - screw
- [110] - 9050-140-001 - guiding wheel
- [120] - 42676 - rivet nut
- [130] - 42655 - hexagonal rivet nut
- [140] - 102616 - nut
- [160] - 36049 - DU-liner
- [170] - 9000-133-007 - screw
- [180] - 42450 - screw
- [190] - 42283 - nut
- [200] - 102618 - screw
- [210] - 42425 - washer

Part: screw DIN 912**Part-Number: 9000-120-014****Part: connector clip, 6mm borehole****Part-Number: 9030-450-001****Part: buffer****Part-Number: 9040-510-001****Part: screw****Part-Number: 42103****Part: screw****Part-Number: 42095**

Part: screw**Part-Number: 42042****Part: washer****Part-Number: 42330****Part: washer****Part-Number: 42334****Part: hexagon screw****Part-Number: 104344****Part: screw****Part-Number: 9000-110-064**

Part: guiding wheel**Part-Number: 9050-140-001****Part: rivet nut****Part-Number: 42676****Part: hexagonal rivet nut****Part-Number: 42655****Part: nut****Part-Number: 102616****Part: DU-liner****Part-Number: 36049**

Part: screw**Part-Number: 9000-133-007****Part: screw****Part-Number: 42450****Part: nut****Part-Number: 42283****Part: screw****Part-Number: 102618****Part: washer****Part-Number: 42425**

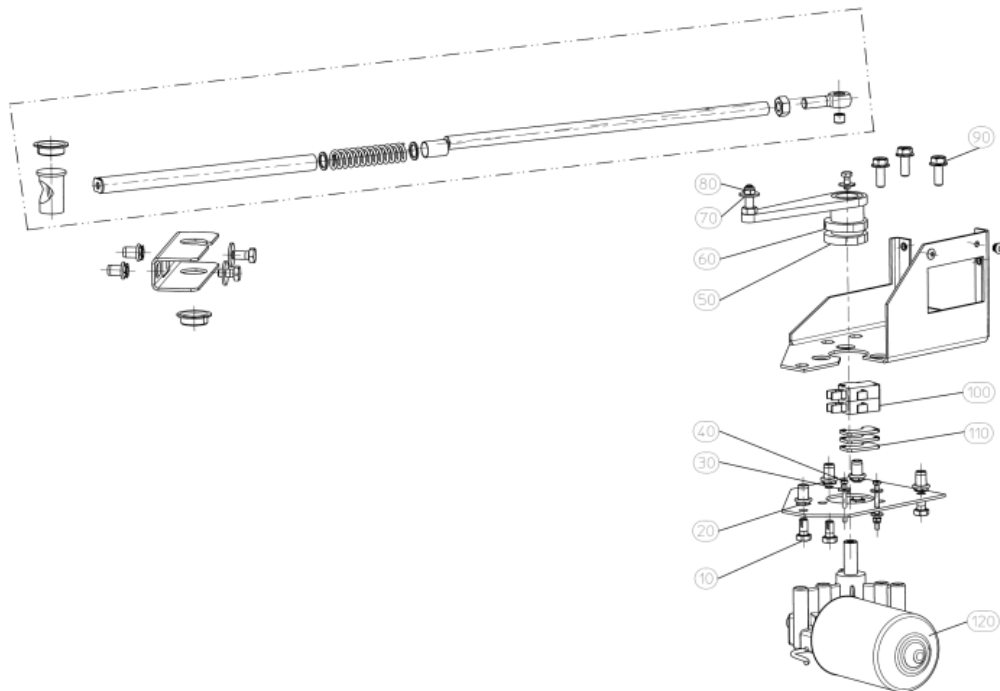
Service manual door opening drive 2.02

Version:

Ident:

Series:

Part-Number: X2200-405-000

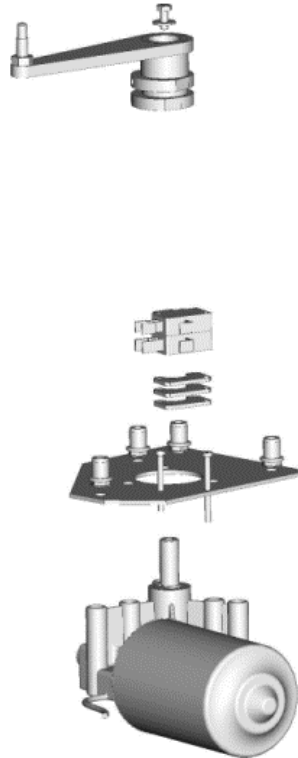


Chapter

EX2200-405-000 - door opening drive, Dibas 64, assembly group mounted - V:

EX2200-405-000 - door opening drive Dibas 64, spare parts complete

- [010] - 102619 - screw
- [020] - 42676 - rivet nut
- [030] - 42682 - washer
- [040] - 9000-121-005 - screw
- [050] - X2200-405-027 - cam disc
- [060] - X2200-405-029 - cam disc
- [070] - 42425 - washer
- [080] - 102614 - nut
- [090] - 42031 - screw
- [110] - 9000-121-004 - screw
- [120] - 105247 - transmission motor

Part: door opening drive Dibas 64, spare parts complete**Part-Number: EX2200-405-000**

Part: screw**Part-Number: 102619**

Part: rivet nut**Part-Number: 42676**

Part: washer**Part-Number: 42682****Part: screw****Part-Number: 9000-121-005****Part: cam disc****Part-Number: X2200-405-027****Part: cam disc****Part-Number: X2200-405-029****Part: washer****Part-Number: 42425**

Part: nut**Part-Number: 102614****Part: screw****Part-Number: 42031****Part: screw****Part-Number: 9000-121-004****Part: transmission motor****Part-Number: 105247**

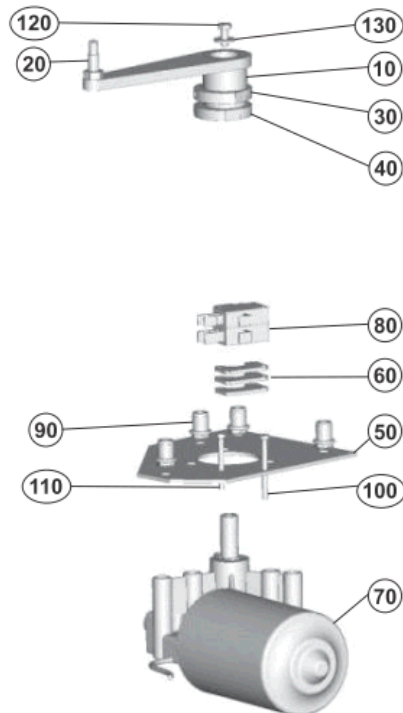
Service manual door opening drive, Dibas 64, assembly group mounted

Version:

Ident:

Series:

Part-Number: EX2200-405-000



Chapter

- [10] - X2200-405-036 - crank
- [100] - 9000-121-005 - screw
- [110] - 9000-121-004 - screw
- [120] - 102617 - hexagon screw
- [130] - 42487 - washer
- [140] - 42319 - washer
- [150] - 100836 - 6-point nut DIN 985 M3 A2
- [20] - X2200-405-035 - bearing bolt
- [30] - X2200-405-029 - cam disc
- [40] - X2200-405-027 - cam disc
- [50] - X2200-405-003 - motor console
- [60] - X2200-405-038 - distance plate
- [70] - 105247 - transmission motor
- [90] - 42676 - rivet nut

Part: crank

Part-Number: X2200-405-036



Part: screw

Part-Number: 9000-121-005

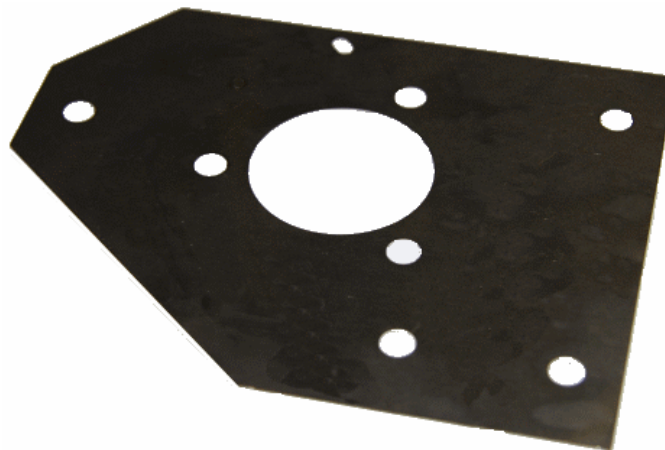


Part: screw

Part-Number: 9000-121-004



Part: hexagon screw**Part-Number: 102617****Part: washer****Part-Number: 42487****Part: washer****Part-Number: 42319****Part: 6-point nut DIN 985 M3 A2****Part-Number: 100836****Part: bearing bolt****Part-Number: X2200-405-035**

Part: cam disc**Part-Number: X2200-405-029****Part: cam disc****Part-Number: X2200-405-027****Part: motor console****Part-Number: X2200-405-003****Part: distance plate****Part-Number: X2200-405-038**

Part: transmission motor

Part-Number: 105247



Part: rivet nut

Part-Number: 42676



Service manual servo

Version:

Ident:

Series:

Part-Number: 2200-400-055



Chapter

- [010] - 42284 - screw
- [020] - 42487 - washer
- [030] - 102613 - nut

Part: screw

Part-Number: 42284



Part: washer

Part-Number: 42487



Part: nut

Part-Number: 102613



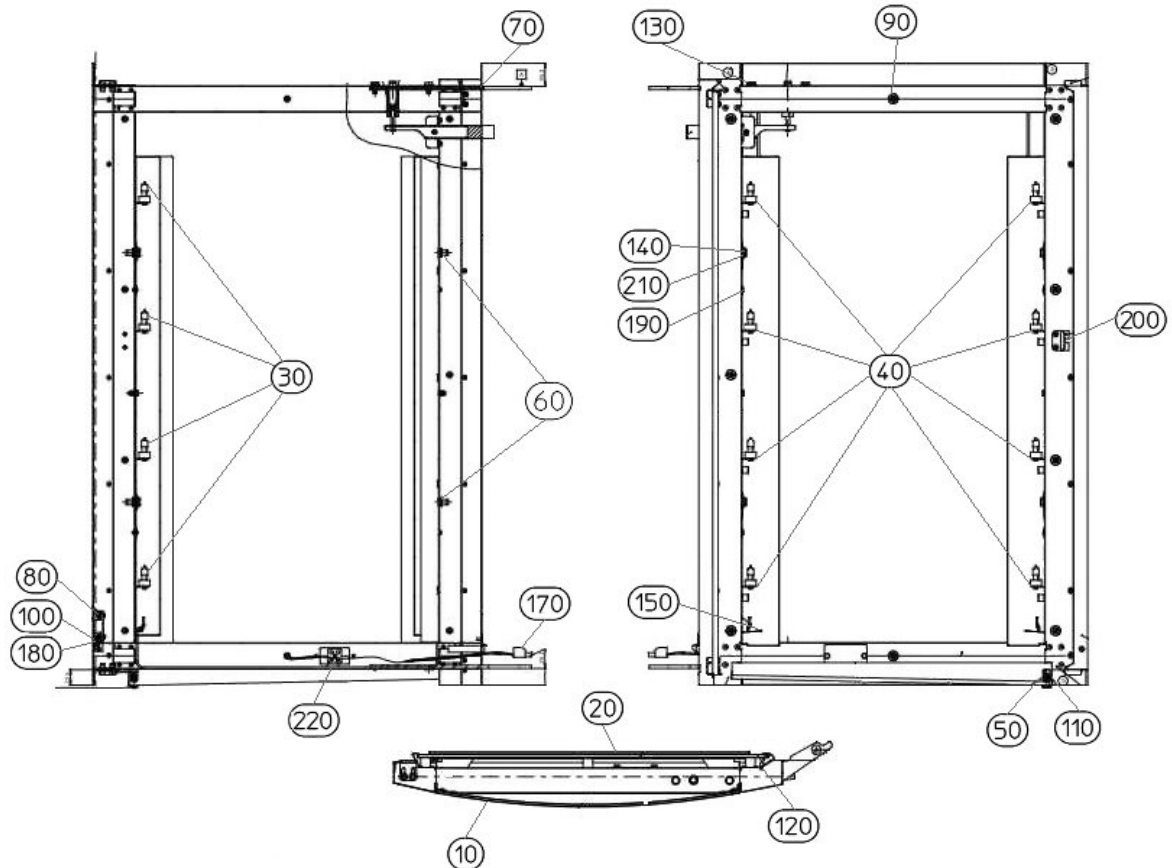
Service manual sliding door automatic

Version:

Ident:

Series:

Part-Number: X2200-450-070



Chapter

- [010] - X2200-450-032 - viewing glass Dibas 64 L
- [020] - X2200-450-050 - sealing panel Dibas L 64
- [030] - 101731 - halogen lamp 12V 10W
- [040] - 42145 - screw
- [050] - 9010-610-006 - o-ring
- [060] - 42676 - rivet nut
- [070] - 100999 - rivet nut
- [080] - 9000-121-003 - screw
- [090] - 42040 - screw
- [100] - 102613 - nut
- [110] - 42483 - screw
- [120] - 102617 - hexagon screw
- [130] - 102619 - screw
- [140] - 9000-110-064 - screw
- [150] - 9030-430-028 - cabel set lighting
- [170] - X2200-450-096 - supply lighting
- [180] - 42319 - washer
- [190] - 42487 - washer
- [200] - X2200-400-086 - latch
- [210] - 42330 - washer
- [220] - 34312 - porcelain clamp

Part: viewing glass Dibas 64 L

Part-Number: X2200-450-032



Part: sealing panel Dibas L 64

Part-Number: X2200-450-050

Part: halogen lamp 12V 10W

Part-Number: 101731

When changing the halogen lamps please make sure that the lamps do not come in contact with hand sweat. Hand sweat will burn into the glass bulb and reduces the life of the halogen lamp. Please use the appropriate gloves.



Part: screw**Part-Number: 42145****Part: o-ring****Part-Number: 9010-610-006****Part: rivet nut****Part-Number: 42676****Part: rivet nut****Part-Number: 100999****Part: screw****Part-Number: 9000-121-003**

Part: screw

Part-Number: 42040



Part: nut

Part-Number: 102613



Part: screw

Part-Number: 42483



Part: hexagon screw

Part-Number: 102617



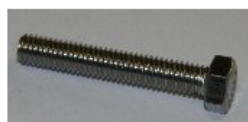
Part: screw

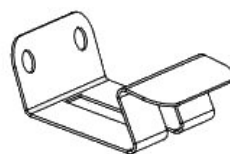
Part-Number: 102619



Part: screw

Part-Number: 9000-110-064



Part: cabel set lighting**Part-Number: 9030-430-028****Part: supply lighting****Part-Number: X2200-450-096****Part: washer****Part-Number: 42319****Part: washer****Part-Number: 42487****Part: latch****Part-Number: X2200-400-086**

Part: washer**Part-Number: 42330**

Part: porcelain clamp**Part-Number: 34312**

The porcelain clamp can not be chipped or damaged. Ensure the halogen lamps are secure.



Service manual sliding door manual

Version:

Ident:

Series:

Part-Number: X2200-452-070

Chapter

X2200-455-072 - block

X2200-455-076 - handle movable

[010] - X2200-450-032 - viewing glass Dibas 64 L

[020] - X2200-450-050 - sealing panel Dibas L 64

[030] - 101731 - halogen lamp 12V 10W

[040] - 42145 - screw

[050] - 9010-610-006 - o-ring

[060] - 42676 - rivet nut

[070] - 100999 - rivet nut

[080] - 9000-121-003 - screw

[090] - 100285 - hexagon screw

[100] - 102813 - hexagon screw

[110] - 42483 - screw

[120] - 102617 - hexagon screw

[130] - 102619 - screw

[140] - 9000-110-064 - screw

[150] - 42210 - washer

[160] - 42012 - washer

[170] - 42209 - washer

[180] - 42319 - washer

[190] - 42487 - washer

[200] - 42425 - washer

[210] - 42330 - washer

[220] - 42034 - nut

[230] - 42009 - nut

[240] - 9000-132-006 - screw

[250] - 101722 - screw

Part: block

Part-Number: X2200-455-072



Part: handle movable

Part-Number: X2200-455-076

The movable handle is used in conjunction with the manual sliding door.



Part: viewing glass Dibas 64 L

Part-Number: X2200-450-032



Part: sealing panel Dibas L 64**Part-Number: X2200-450-050**

Part: halogen lamp 12V 10W**Part-Number: 101731**

When changing the halogen lamps please make sure that the lamps do not come in contact with hand sweat. Hand sweat will burn into the glass bulb and reduces the life of the halogen lamp. Please use the appropriate gloves.

**Part: screw****Part-Number: 42145****Part: o-ring****Part-Number: 9010-610-006****Part: rivet nut****Part-Number: 42676**

Part: rivet nut**Part-Number: 100999****Part: screw****Part-Number: 9000-121-003****Part: hexagon screw****Part-Number: 100285****Part: hexagon screw****Part-Number: 102813****Part: screw****Part-Number: 42483**

Part: hexagon screw

Part-Number: 102617

**Part: screw**

Part-Number: 102619

**Part: screw**

Part-Number: 9000-110-064

**Part: washer**

Part-Number: 42210

**Part: washer**

Part-Number: 42012

**Part: washer**

Part-Number: 42209



Part: washer

Part-Number: 42319

**Part: washer**

Part-Number: 42487

**Part: washer**

Part-Number: 42425

**Part: washer**

Part-Number: 42330

**Part: nut**

Part-Number: 42034

**Part: nut**

Part-Number: 42009



Part: screw

Part-Number: 9000-132-006



Part: screw

Part-Number: 101722



Service manual frame Dibas L

Version:

Ident:

Series:

Part-Number:

Chapter

X2200-102-000 - chase sliding door - V:

X2200-110-001 - container - V:

X2200-353-029 - control box bonded - V:

X2200-110-000 - front panel - V:

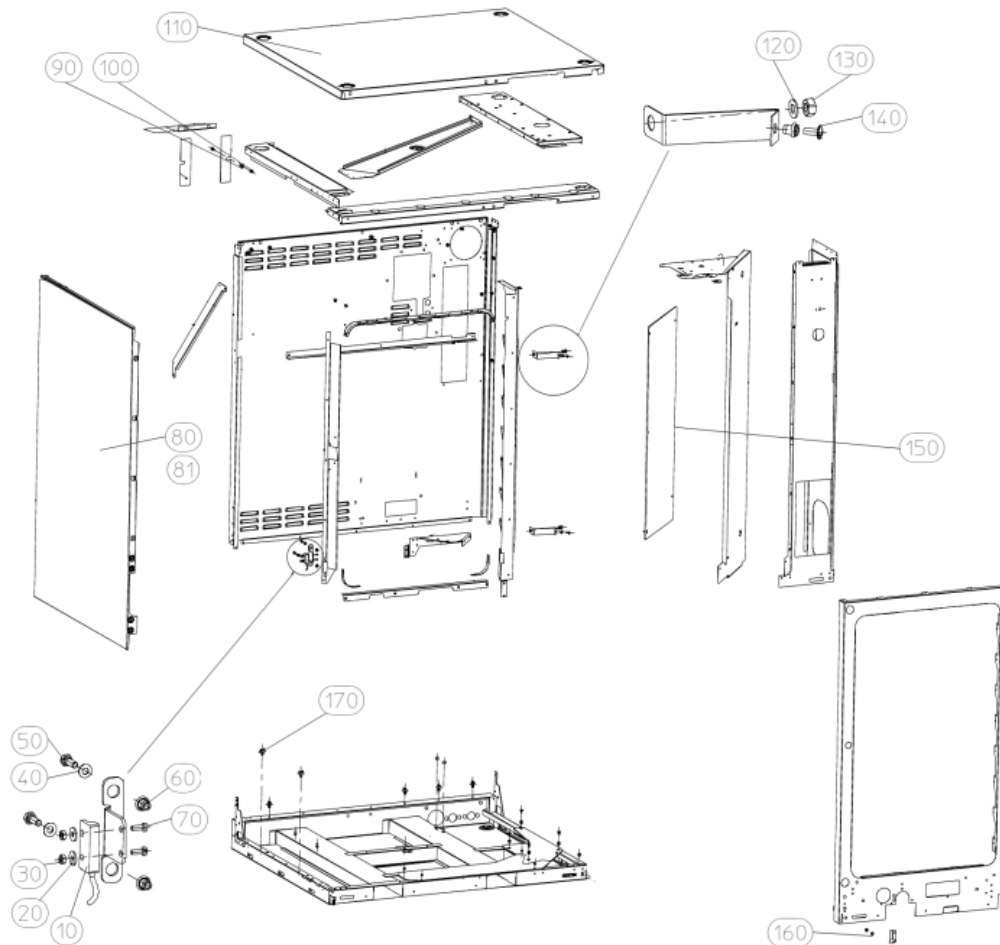
Service manual chase sliding door

Version:

Ident:

Series:

Part-Number: X2200-102-000



Chapter

- [010] - 9010-810-002 - magnet clamp
- [020] - 42682 - washer
- [030] - 42009 - nut
- [040] - 42209 - washer
- [050] - 102813 - hexagon screw
- [060] - 100999 - rivet nut
- [070] - 42145 - screw
- [080] - X2200-102-048 - side frame left
- [081] - X2200-102-047 - side frame right
- [090] - 42425 - washer
- [100] - 42655 - hexagonal rivet nut
- [110] - X2200-102-015 - cover
- [120] - 42012 - washer
- [130] - 42010 - nut
- [140] - 40317 - MFL Screw
- [150] - X2200-102-046 - screening board
- [160] - 42483 - screw
- [170] - 9030-450-001 - connector clip, 6mm borehole

Part: magnet clamp**Part-Number: 9010-810-002****Part: washer****Part-Number: 42682****Part: nut****Part-Number: 42009****Part: washer****Part-Number: 42209**

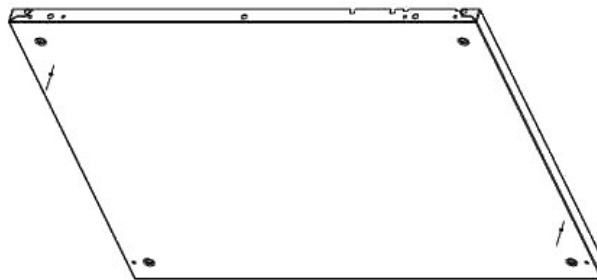
Part: hexagon screw**Part-Number: 102813****Part: rivet nut****Part-Number: 100999****Part: screw****Part-Number: 42145****Part: side frame left****Part-Number: X2200-102-048****Part: side frame right****Part-Number: X2200-102-047****Part: washer****Part-Number: 42425**

Part: hexagonal rivet nut

Part-Number: 42655

**Part: cover**

Part-Number: X2200-102-015

**Part: washer**

Part-Number: 42012

**Part: nut**

Part-Number: 42010

**Part: MFL Screw**

Part-Number: 40317



Part: screening board**Part-Number: X2200-102-046****Part: screw****Part-Number: 42483****Part: connector clip, 6mm borehole****Part-Number: 9030-450-001**

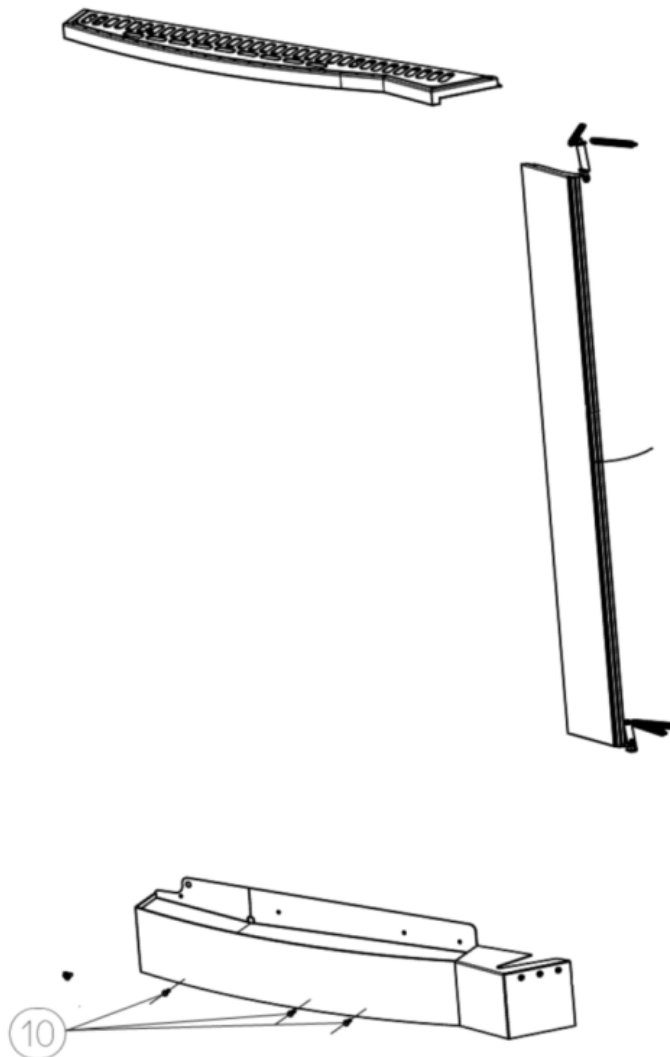
Service manual container

Version:

Ident:

Series:

Part-Number: X2200-110-001



Chapter

[010] - 42392 - screw

Part: screw

Part-Number: 42392



Servicemanual control box bonded

Version:

Ident:

Series:

Part-Number: X2200-353-029

Chapter

X2200-350-084 - bolt M6x12

X2200-353-016 - holder

X2200-353-018 - index angle

X2200-353-025 - leg spring

X2200-353-027 - hinge

X2200-353-028 - hinge

X2200-353-039 - hook

Part: bolt M6x12**Part-Number: X2200-350-084****Part: holder****Part-Number: X2200-353-016****Part: index angle****Part-Number: X2200-353-018****Part: leg spring****Part-Number: X2200-353-025**

Part: hinge

Part-Number: X2200-353-027



Part: hinge

Part-Number: X2200-353-028



Part: hook

Part-Number: X2200-353-039



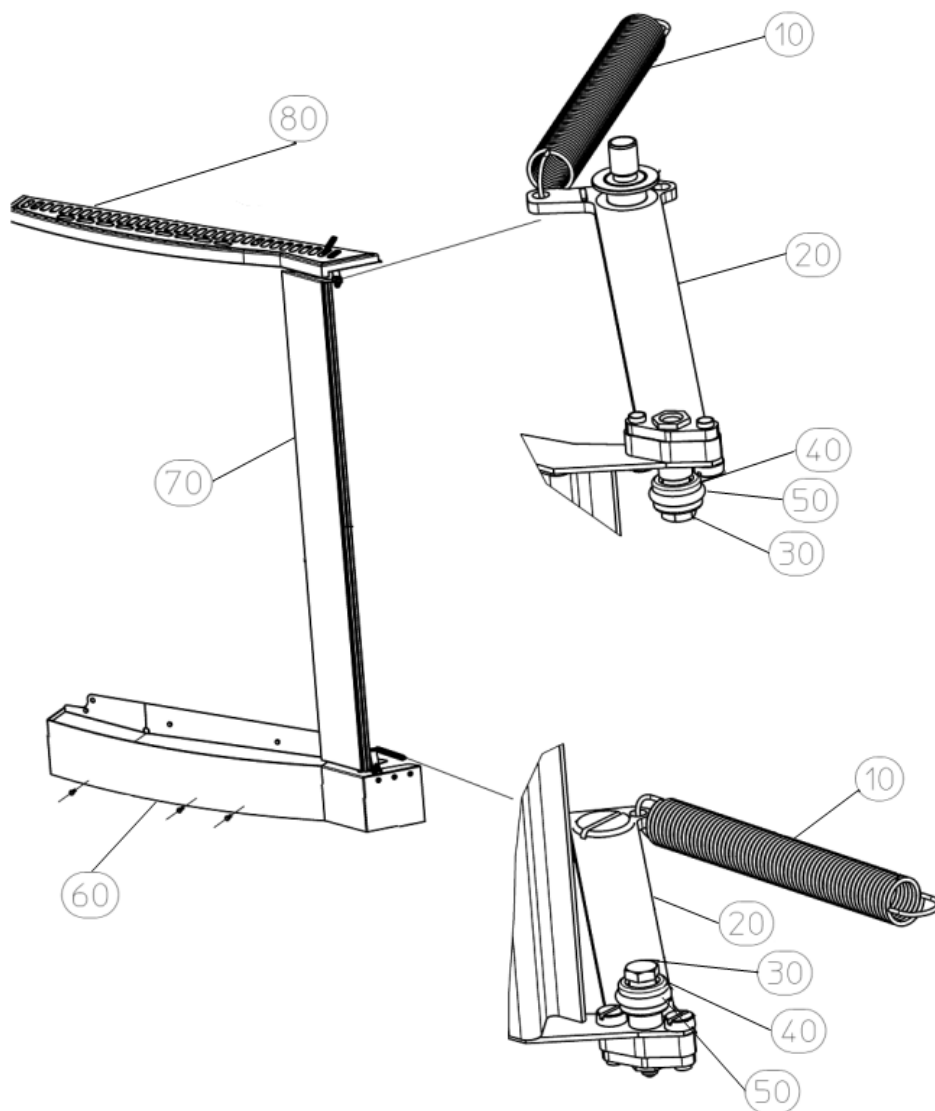
Service manual front panel

Version:

Ident:

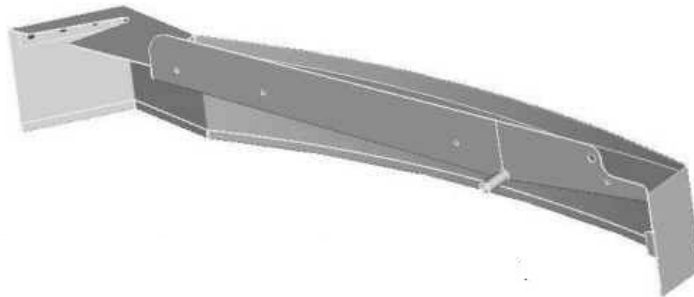
Series:

Part-Number: X2200-110-000



Chapter

- X2200-110-001 - catch pan
- X2200-353-053 - cover USB interface
- [010] - 9010-140-002 - tension spring RZ 088I
- [020] - X2200-110-074 - guiding disk
- [030] - 101897 - hexagon screw
- [040] - 2205-500-039 - castor
- [050] - 9010-610-005 - o-seal
- [070] - X2200-110-052 - chopper
- [080] - X2200-110-086 - lid cover

Part: catch pan**Part-Number: X2200-110-001****Part: cover USB interface****Part-Number: X2200-353-053****Part: tension spring RZ 088l****Part-Number: 9010-140-002****Part: guiding disk****Part-Number: X2200-110-074**

Part: hexagon screw**Part-Number: 101897****Part: castor****Part-Number: 2205-500-039****Part: o-seal****Part-Number: 9010-610-005****Part: chopper****Part-Number: X2200-110-052****Part: lid cover****Part-Number: X2200-110-086**

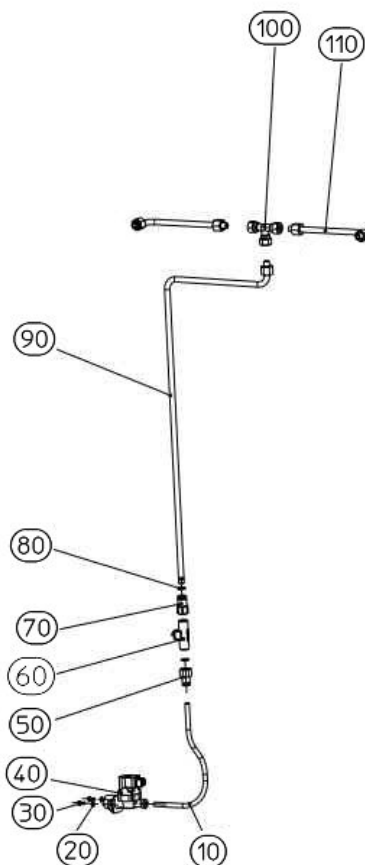
Service manual installation space Dibas L

Version:

Ident:

Series:

Part-Number:



Chapter

X2200-230-000 - cascade steaming - V:

X2200-810-000 - cleaning PCL - V:

X2200-255-000 - exhaust air - V:

X2200-300-000 - heater recirculating air pipe steaming - V:

X2200-210-000 - steaming - V:

X2200-264-000 - supply air - V:

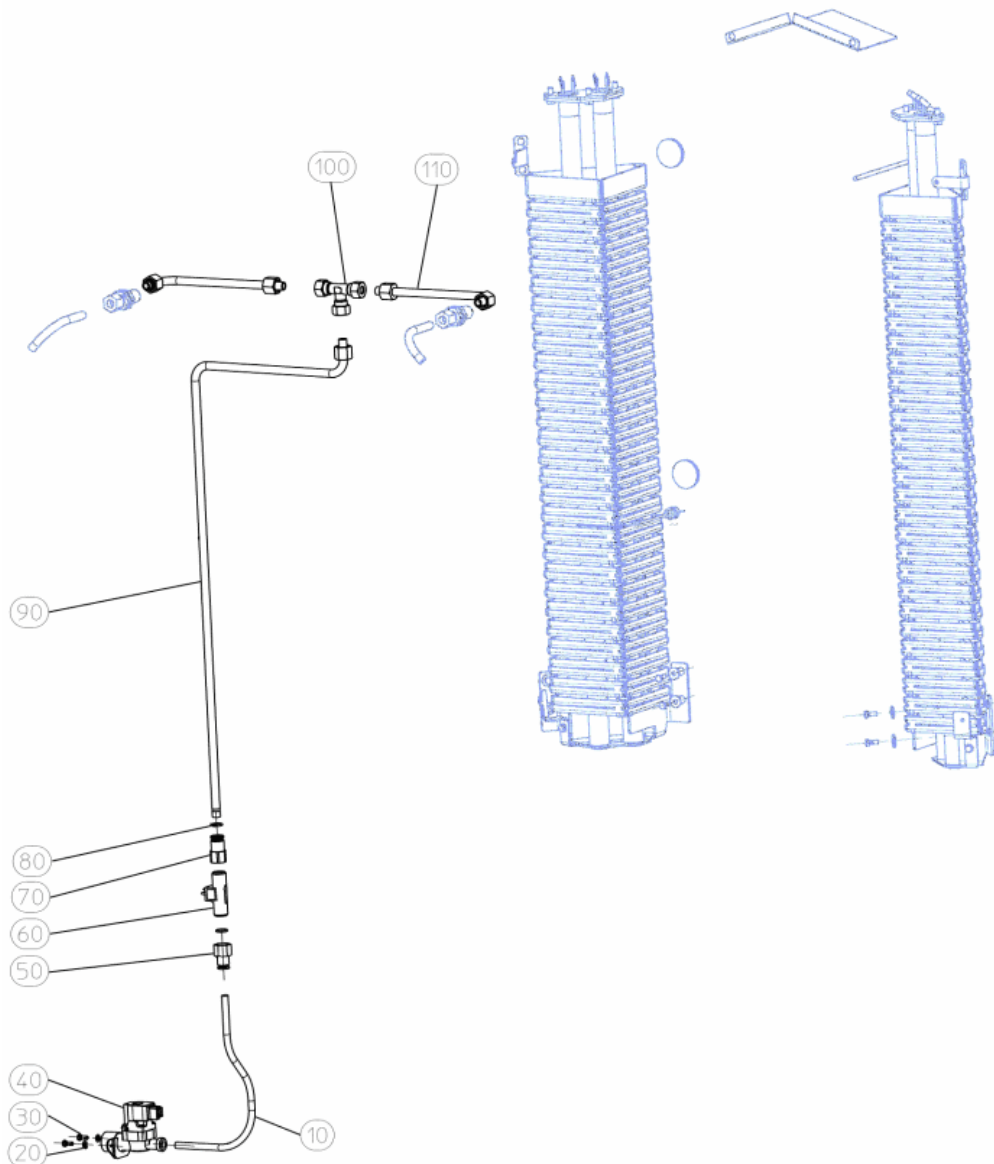
Service manual cascade steaming

Version:

Ident:

Series:

Part-Number: X2200-230-000



Chapter

- 9010-610-004 - o-ring
- 9030-140-003 - resistance thermometer Pt 500 (-50/+180°C)
- 9030-140-004 - resistance thermometer (SW13x145)
- [010] - X2200-210-013 - hose
- [020] - 42209 - washer
- [030] - 102617 - hexagon screw
- [040] - 9030-230-001 - electrical magnetic closure; Attention replaced by 9030-230-009
- [050] - 9060-110-002 - screws straight fastener
- [060] - 9060-510-001 - flow meter
- [070] - 9060-110-004 - screws straight
- [090] - X2200-230-035 - tube diameter 10
- [100] - 9060-125-001 - t-connection

- [110] - X2200-230-034 - tube diameter 10
- [120] - X2200-230-157 - pipe bend
- [130] - 33875 - bulkhead screwing straight
- [140] - X2200-230-038 - drop guard
- [150] - 42425 - washer
- [160] - 42284 - screw
- [170] - 9030-430-087 - cabel set cascade Dibas

Part: o-ring

Part-Number: 9010-610-004

Part: resistance thermometer Pt 500 (-50/+180°C)

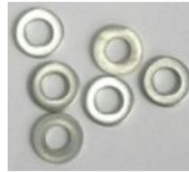
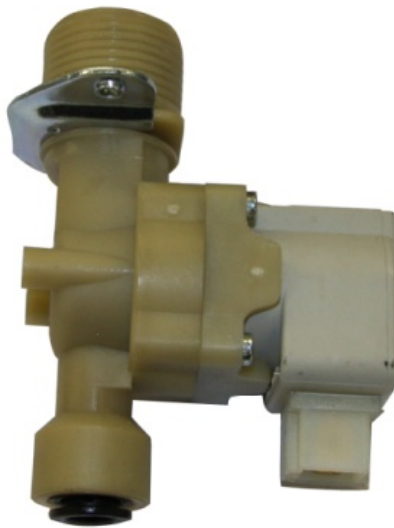
Part-Number: 9030-140-003

**Part: resistance thermometer (SW13x145)**

Part-Number: 9030-140-004

**Part: hose**

Part-Number: X2200-210-013

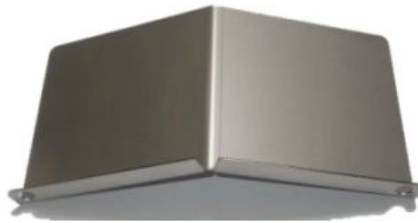
Part: washer**Part-Number: 42209****Part: hexagon screw****Part-Number: 102617****Part: electrical magnetic closure; Attention replaced by 9030-230-009****Part-Number: 9030-230-001****Part: screws straight fastener****Part-Number: 9060-110-002**

Part: flow meter**Part-Number: 9060-510-001****Part: screws straight****Part-Number: 9060-110-004****Part: tube diameter 10****Part-Number: X2200-230-035****Part: t-connection****Part-Number: 9060-125-001**

Part: tube diameter 10**Part-Number: X2200-230-034****Part: pipe bend****Part-Number: X2200-230-157****Part: bulkhead screwing straight****Part-Number: 33875**

The bulkhead screwing is complete with a brass seal. Should a part be defective the complete fitting must be exchanged so that the seal can be guaranteed.



Part: drop guard**Part-Number: X2200-230-038****Part: washer****Part-Number: 42425****Part: screw****Part-Number: 42284****Part: cabel set cascade Dibas****Part-Number: 9030-430-087**

Service manual cleaning PCL

Version:

Ident:

Series:

Part-Number: X2200-810-000

Chapter

- [010] - 105572 - ball valve 1"
- [020] - 29738 - Spray nozzle ProClean complete, mounted
- [030] - 42244 - gasket ring D7603 32x28
- [040] - 33568 - hexagon nut
- [050] - 9030-230-005 - electromagnetic valve; Attention replaced by 34472
- [060] - X2200-810-031 - silicone hose
- [070] - 9020-900-001 - circulation pump ProClean
- [080] - X2200-810-021 - silicone hose
- [090] - 37906 - membrane switch ProClean
- [091] - 40074 - silicone hose
- [100] - 9060-320-005 - hose clamp, 44x12mm
- [110] - 9060-320-003 - hose clamp, 13/12
- [120] - 9060-510-001 - flow meter
- [130] - 9060-110-004 - screws straight
- [140] - 9010-610-004 - o-ring
- [150] - 102613 - nut
- [160] - 42209 - washer
- [170] - 42210 - washer
- [180] - 102617 - hexagon screw
- [190] - 9030-430-047 - cable set ProClean Dibas

Part: ball valve 1"

Part-Number: 105572



Part: Spray nozzle ProClean complete, mounted

Part-Number: 29738

Depending on the type of cleaning system, either fresh water or fresh water with liquid Pro Clean Cleaner/Rinse will be sprayed by the ProClean jets into the oven. The rotating motion of the jet head will evenly spray the liquid around the oven. Please notify your customer to only use the recommended cleaning and rinse agents from the manufacturer. Check that the ProClean jets easily spray. Please note that in the Dibas series only short jets are used.



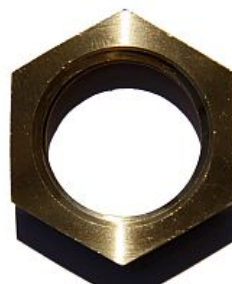
Part: gasket ring D7603 32x28

Part-Number: 42244



Part: hexagon nut

Part-Number: 33568



Part: electromagnetic valve; Attention replaced by 34472

Part-Number: 9030-230-005



Part: silicone hose

Part-Number: X2200-810-031

Part: circulation pump ProClean

Part-Number: 9020-900-001



Part: silicone hose

Part-Number: X2200-810-021

Part: membrane switch ProClean

Part-Number: 37906

The switch ProClean serves as a filling amount safety control. If the solenoid valve is over filled then the automatic self cleaning will not function. The pressure switch activates at 16mbar. The activation of the motor, heater and solenoid valve will be interrupted.



Part: silicone hose

Part-Number: 40074



Part: hose clamp, 44x12mm

Part-Number: 9060-320-005



Part: hose clamp, 13/12

Part-Number: 9060-320-003



Part: flow meter**Part-Number: 9060-510-001****Part: screws straight****Part-Number: 9060-110-004****Part: o-ring****Part-Number: 9010-610-004****Part: nut****Part-Number: 102613****Part: washer****Part-Number: 42209**

Part: washer

Part-Number: 42210



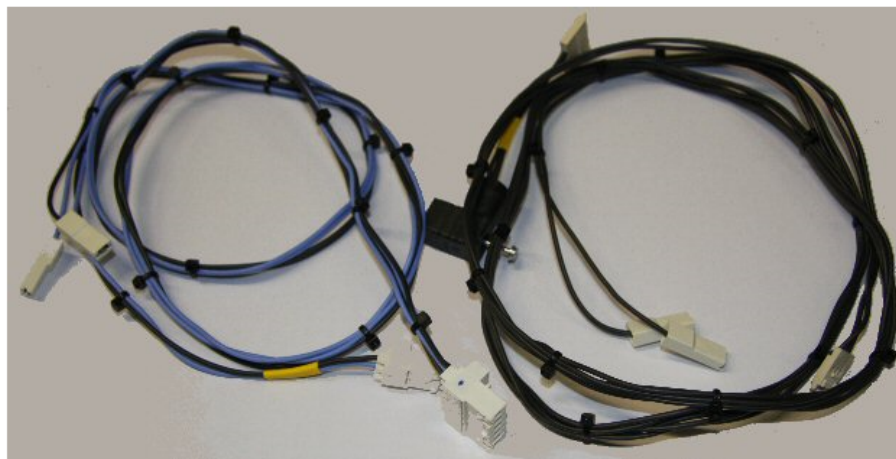
Part: hexagon screw

Part-Number: 102617



Part: cable set ProClean Dibas

Part-Number: 9030-430-047



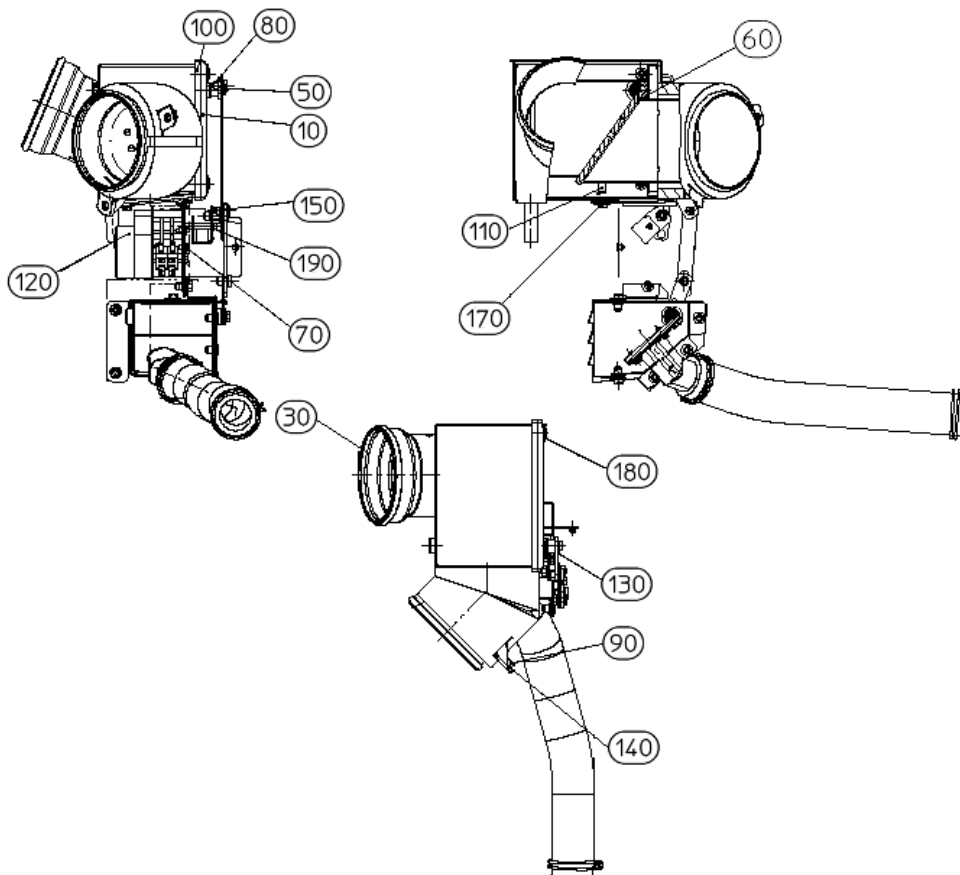
Service manual exhaust air

Version:

Ident:

Series:

Part-Number: X2200-255-000

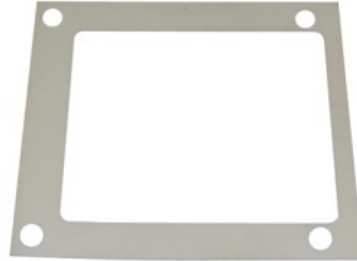


Chapter

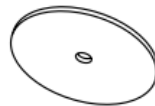
- [010] - X2200-254-006 - seal, cover exhaust air, 135x22mm, silicone
- [020] - X2200-254-015 - seal, exhaust air
- [030] - 34310 - O-ring, silicone
- [040] - 42674 - screw
- [050] - 42659 - flat headed screw
- [060] - 9000-132-008 - screw
- [070] - 42308 - screw
- [080] - 42645 - nut
- [090] - 42010 - nut
- [100] - 42655 - hexagonal rivet nut
- [110] - 102921 - rivet nut
- [120] - 9020-700-005 - cam switch
- [130] - 42425 - washer
- [140] - 42330 - washer
- [150] - 42210 - washer
- [170] - 102618 - screw
- [180] - 102747 - hexagonal screw
- [190] - 9010-540-002 - lock washer

Part: seal, cover exhaust air, 135x22mm, silicone

Part-Number: X2200-254-006

**Part: seal, exhaust air**

Part-Number: X2200-254-015

**Part: O-ring, silicone**

Part-Number: 34310

**Part: screw**

Part-Number: 42674



Part: flat headed screw

Part-Number: 42659



Part: screw

Part-Number: 9000-132-008



Part: screw

Part-Number: 42308



Part: nut

Part-Number: 42645



Part: nut

Part-Number: 42010



Part: hexagonal rivet nut

Part-Number: 42655



Part: rivet nut

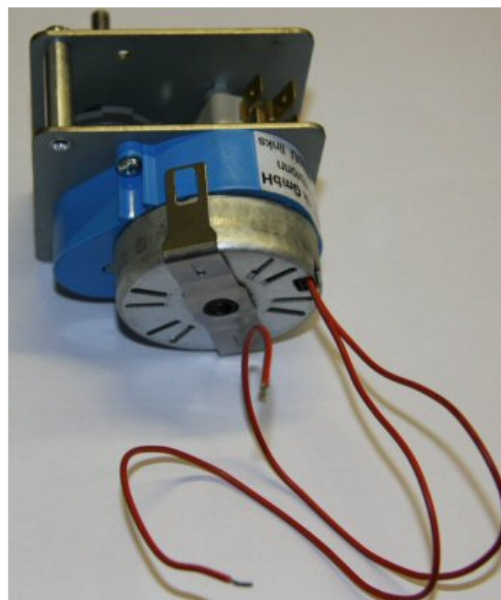
Part-Number: 102921



Part: cam switch

Part-Number: 9020-700-005

This article is replaced by 9020-700-005.



Part: washer

Part-Number: 42425



Part: washer**Part-Number: 42330****Part: washer****Part-Number: 42210****Part: screw****Part-Number: 102618****Part: hexagonal screw****Part-Number: 102747****Part: lock washer****Part-Number: 9010-540-002**

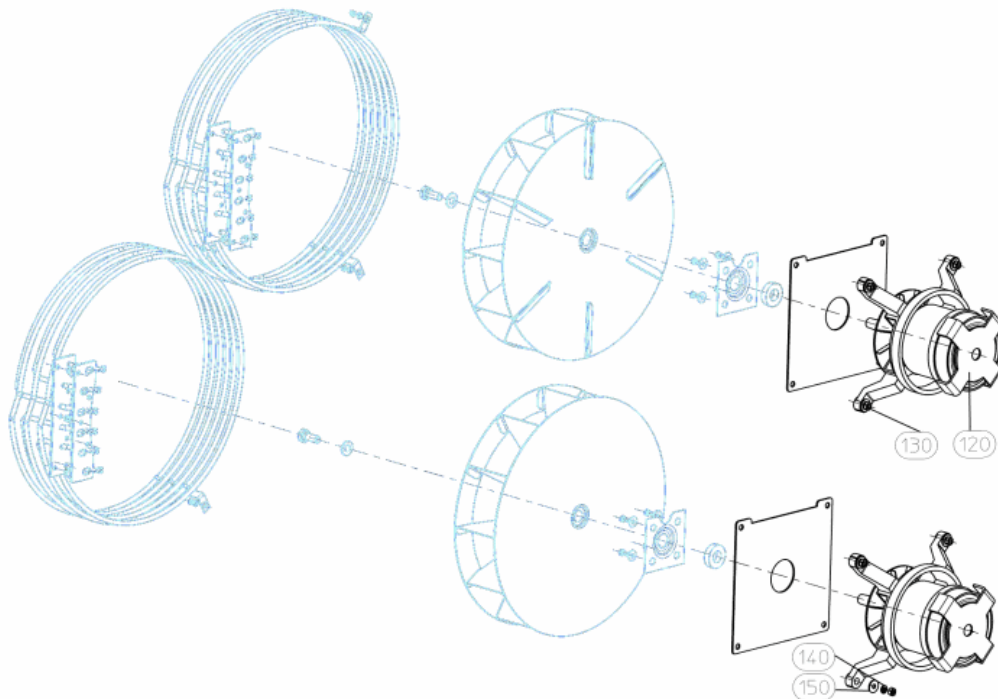
Service manual heater recirculating air pipe steaming

Version:

Ident:

Series:

Part-Number: X2200-300-000



Chapter

- [010] - 34047 - seal motor shaft
- [020] - 42204 - washer
- [030] - 102966 - screw
- [040] - 42674 - screw
- [050] - 9085-100-005 - sealing o-heater
- [060] - 9030-710-005 - o-heater 9kW 230V 50Hz
- [070] - 42008 - nut
- [080] - 42209 - washer
- [090] - 33862 - fan wheel
- [100] - 102618 - screw
- [110] - 42425 - washer
- [120] - 9020-110-002 - fan motor
- [130] - 42010 - nut
- [140] - 42201 - spring ring V2A M6
- [150] - 42330 - washer

Part: seal motor shaft

Part-Number: 34047

The motor shaft seal is a clean lead and seal against moisture at the back of the oven which could lead to disturbances. Therefore the following must be observed: Tighten the sealing plate after the motor is fastened, otherwise the motor shaft seal on the motor shaft is not guaranteed. This motor shaft seal must be replaced with each motor installation.



Part: washer

Part-Number: 42204



Part: screw

Part-Number: 102966



Part: screw

Part-Number: 42674



Part: sealing o-heater

Part-Number: 9085-100-005

When replacing the heater the seal must be replaced as well.



Part: o-heater 9kW 230V 50Hz

Part-Number: 9030-710-005

The ring heater is attached by two securing loops on the welded bolts on the oven wall with two nuts. The heater flange is secured with 5 hexagonal screws. The ring heater can be replaced. When replacing the ring heater the seal must be also be replaced. Work with thread free hexagonal screws to prevent damage that may be caused by heat.



Part: nut

Part-Number: 42008



Part: washer

Part-Number: 42209



Part: fan wheel

Part-Number: 33862

The manufacturer tested the fan wheel for imbalance. Keep away any direct heat from the fan wheel for e.g.. Blow lamps, otherwise the wheel will not run smoothly. An imbalance of the wheel will damage the motor and yield unsatisfactory baking results. The fan wheel is attached to the motor shaft and a fan wheel removal device must be used when replacing it. At any sign of imbalance the fan wheel must be replaced to prevent further damage.



Part: screw

Part-Number: 102618



Part: washer

Part-Number: 42425



Part: fan motor

Part-Number: 9020-110-002

For improved baking results the Hanning Motor has two rotating directions and several speeds. In ovens with the IS Control the speed is regulated by the Triac setter. In ovens with a manual control the contactor regulates the speed. The motor is secured with 4 M 6 nuts. The distance sleeves screws that are fixed by locknuts must always have the same height. Tighten the nuts diagonally to avoid tension. The motor has a built in thermo protection (bimetal) that activates at 160° C and automatically resets when cooled down. When the motor protection is activated the motor function is interrupted. Note that you should avoid speeds under 3 in the baking programs. If the fan wheel doesn't move easily or is unbalanced the motor spool may overheat. The thermo safety of the motor will activate and the complete operation will be interrupted. Check the fan wheel for imbalancing. Replace the fan. If a new motor is installed a new motor shaft seal (article number 34047) must be used. Also, the counternuts must be diagonally fastened to avoid tension. The motor has a built in thermo protection (bimetal) that activates at 160° C and automatically resets when cooled down.



Part: nut

Part-Number: 42010



Part: spring ring V2A M6

Part-Number: 42201



Part: washer

Part-Number: 42330



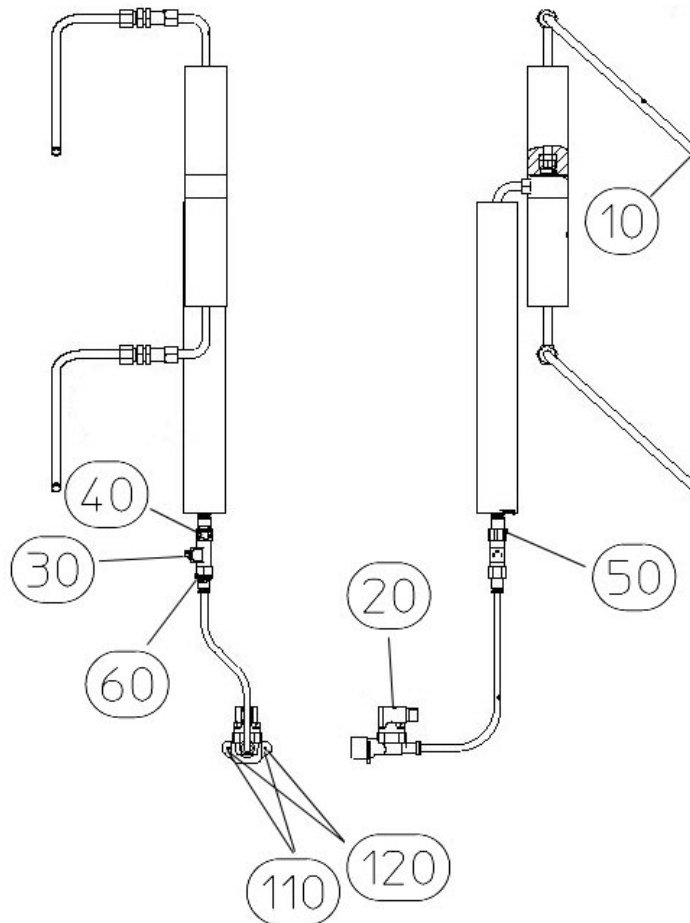
Service manual steaming

Version:

Ident:

Series:

Part-Number: X2200-210-000



Chapter

- [010] - 101385 - screw
- [020] - 9030-230-001 - electrical magnetic closure; Attention replaced by 9030-230-009
- [030] - 9060-510-001 - flow meter
- [040] - 9010-610-004 - o-ring
- [050] - 9060-110-004 - screws straight
- [060] - 9060-110-002 - screws straight fastener
- [070] - 42655 - hexagonal rivet nut
- [080] - 9030-140-005 - thermocouple
- [090] - 9000-110-067 - screw
- [100] - 9000-310-004 - washer
- [110] - 102617 - hexagon screw
- [120] - 42209 - washer

Part: screw

Part-Number: 101385



Part: electrical magnetic closure; Attention replaced by 9030-230-009

Part-Number: 9030-230-001



Part: flow meter

Part-Number: 9060-510-001



Part: o-ring

Part-Number: 9010-610-004

Part: screws straight

Part-Number: 9060-110-004

**Part: screws straight fastener**

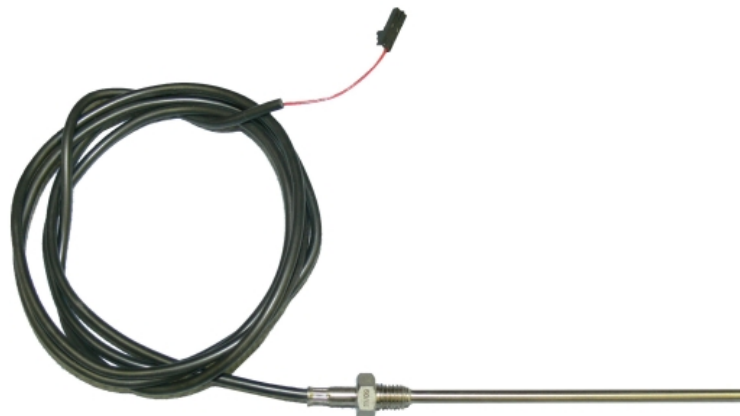
Part-Number: 9060-110-002

**Part: hexagonal rivet nut**

Part-Number: 42655

**Part: thermocouple**

Part-Number: 9030-140-005



Part: screw**Part-Number: 9000-110-067****Part: washer****Part-Number: 9000-310-004****Part: hexagon screw****Part-Number: 102617****Part: washer****Part-Number: 42209**

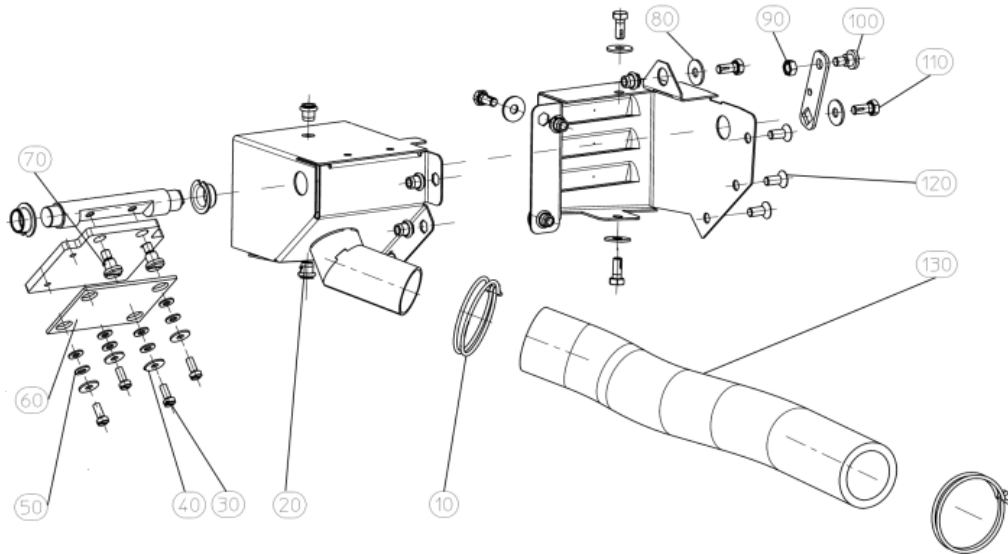
Service manual supply air

Version:

Ident:

Series:

Part-Number: X2200-264-000



Chapter

- [010] - 9060-320-005 - hose clamp, 44x12mm
- [020] - 42655 - hexagonal rivet nut
- [030] - 42038 - cylinder head screw
- [040] - 42487 - washer
- [050] - 42209 - washer
- [060] - X2200-264-009 - seal
- [070] - 9000-132-008 - screw
- [080] - 42425 - washer
- [090] - 42645 - nut
- [100] - 42659 - flat headed screw
- [110] - 102618 - screw
- [120] - 102747 - hexagonal screw
- [130] - X2200-264-016 - hose, supply air, 300x6x280mm

Part: hose clamp, 44x12mm

Part-Number: 9060-320-005

**Part: hexagonal rivet nut**

Part-Number: 42655

**Part: cylinder head screw**

Part-Number: 42038

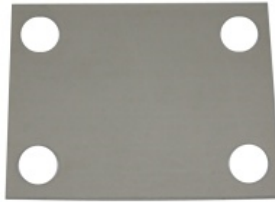
**Part: washer**

Part-Number: 42487

**Part: washer**

Part-Number: 42209



Part: seal**Part-Number: X2200-264-009****Part: screw****Part-Number: 9000-132-008****Part: washer****Part-Number: 42425****Part: nut****Part-Number: 42645****Part: flat headed screw****Part-Number: 42659**

Part: screw**Part-Number: 102618****Part: hexagonal screw****Part-Number: 102747****Part: hose, supply air, 300x6x280mm****Part-Number: X2200-264-016**

Urheberrecht:

Das Urheberrecht an diesem Servicehandbuch verbleibt bei der WIESHEU GmbH. Dieses Servicehandbuch ist nur für autorisierte Servicepartner und dessen Personal bestimmt. Sie enthält Vorschriften und Hinweise, die weder vollständig noch teilweise vervielfältigt, verbreitet oder anderweitig mitgeteilt werden dürfen.

Alle Darstellungen, Zeichnungen, Bilder Texte und Angaben sind urheberrechtlich geschützt. Sie unterliegen den gewerblichen Schutzrechten.

Zu diesem Servicehandbuch:

Alle Abbildungen in diesem Dokument sollen die Verständlichkeit unterstützen. Die Abbildungen sind nicht maßstabsgerecht. Teilweise sind dem Originalprodukt ähnelnde Abbildungen dargestellt, die geringfügig abweichen können.

Achtung!

Vermeiden Sie Fehlfunktionen oder Beschädigungen durch falsche Ersatzteile. Wir empfehlen die ausschließliche Verwendung von WIESHEU-Original-Ersatzteilen.

Wiesheu GmbH
Daimlerstrasse 10
DE-71563 Affalterbach
Telefon: +49 (0)7144 / 3 03-0
Fax: +49 (0)7144 / 3 03-11
Service-Telefon: 0800-WIESHEU
E-Mail: info@wiesheu.de
www.wiesheu.de

Stand: 3/11/2013