

Service manual B15 with control manual

Version: 2.01

Ident:

Series:

Pert-Number: 101239

This part can be ordered.



Chapter

- baking chamber B15 with control manual - V:
- door B15 with control manual - V:
- electric slide manual B15 with control manual - V:
- frame B15 with control manual - V:
- installation-room B15 with control manual - V:
- rack trolley B15 with control manual - V:

Service manual baking chamber B15 with control manual

Version:

Ident:

Series:

Pert-Number:



Chapter

- [010] - 34961 - heater 4000 W
- [020] - 34960 - heater 3000 W
- [030] - 33862 - fan wheel
- [040] - 40198 - door seal
- [050] - 02524 - steam pipe connection
- [060] - 104657 - steaming pipe
- [070] - 34047 - seal motor shaft
- [080] - 36117 - seal heater

Part: heater 4000 W

Pert-Number: 34961

Warning! The heater must not be removed while hot. TIP: Treat the threaded bolts (heater flange) of the hot heaters with cooling spray. Loosen the bolts. Replace the heater seal when replacing the heater. Treat the hexagonal screws with thread-free, this way damage from heat can be avoided and they wont become loose.



Part: heater 3000 W

Pert-Number: 34960

Warning! The heater must not be removed while hot. TIP: Treat the threaded bolts (heater flange) of the hot heaters with cooling spray. Loosen the bolts. Replace the heater seal when replacing the heater. Treat the hexagonal screws with thread-free before reinserting. This prevents the screws from heat damage and not loosening again.



Part: fan wheel

Pert-Number: 33862

The manufacturer tested the fan wheel for imbalance. Keep away any direct heat from the fan wheel for e.g., blow lamps, otherwise the wheel will not run smoothly. An imbalance of the wheel will damage the motor and yield unsatisfactory baking results. The fan wheel is attached to the motor shaft and a fan wheel removal device must be used when replacing it. At any sign of imbalance the fan wheel must be replaced to prevent further damage.



Part: door seal

Pert-Number: 40198

Part: steam pipe connection

Pert-Number: 02524

Depending on the water hardness the steaming supports must be descaled on a regular basis. Recommend to your customer to use a water softening system. When installing it is important that the steaming supports be secured in the correct direction showing in the direction of the "Fan wheel centre".



Part: steaming pipe

Pert-Number: 104657

Part: seal motor shaft

Pert-Number: 34047

The motor shaft seal is a clean lead and seal against moisture at the back of the oven which could lead to disturbances. Therefore the following must be observed: Tighten the sealing plate after the motor is fastened, otherwise the motor shaft seal on the motor shaft is not guaranteed. This motor shaft seal must be replaced with each motor installation.



Part: seal heater

Pert-Number: 36117

When replacing the ring heater the seal must be replaced as well.



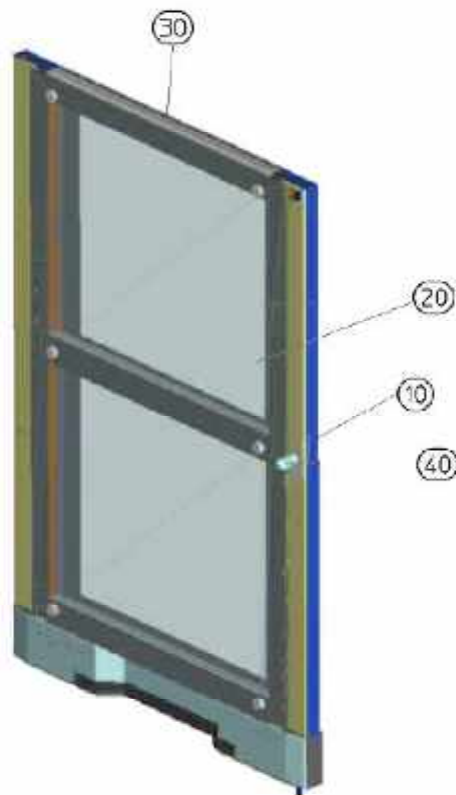
Service manual door B15 with control manual

Version:

Ident:

Series:

Pert-Number:



Chapter

[040] door lock - V;
door handle B15 with control manual - V;

- 101054 -
- 38155 - rubber-metal buffers
- [020] - 102014 - viewing pane B15 RAL 7035 light grey
- [020] - 33887 - door glass outside BG3
- [030] - 33886 - sealing pane
- [040] - 33891 - halogen socket
- [050] - 101731 - halogen lamp 12V 10W
- [060] - 34312 - porcelain clamp
- [070] - 33880 - glass plate holder
- [080] - 34577 - seal for glass plate holder
- [090] - 100717 -

Part:

Pert-Number: 101054



Part: rubber-metal buffers

Pert-Number: 38155

Is fixed between door glass outside and sealing pane.

Part: viewing pane B15 RAL 7035 light grey

Pert-Number: 102014

Part: door glass outside BG3

Pert-Number: 33887

Part: sealing pane

Pert-Number: 33886

Part: halogen socket

Pert-Number: 33891

Check the porcelain lamp holders and cables for damage. Please do not squeeze or kink the cable.



Part: halogen lamp 12V 10W

Pert-Number: 101731

When changing the halogen lamps please make sure that the lamps do not come in contact with hand sweat. Hand sweat will burn into the glass bulb and reduces the life of the halogen lamp. Please use the appropriate gloves.



Part: porcelain clamp

Pert-Number: 34312

The porcelain clamp can not be clipped or damaged. Ensure the halogen lamps are secure.



Part: glass plate holder

Pert-Number: 33880



Part: seal for glass plate holder

Pert-Number: 34577



Part:

Pert-Number: 100717

Service manual [040] door lock

Version:

Ident:

Series:

Pert-Number:

Chapter

100717 -

101054 -

Part:

Pert-Number: 100717

Part:

Pert-Number: 101054



Service manual door handle B15 with control manual

Version:

Ident:

Series:

Pert-Number:



Chapter

door handle left complete B15 with control manual - V:
door handle right complete B15 with control manual - V:

Service manual

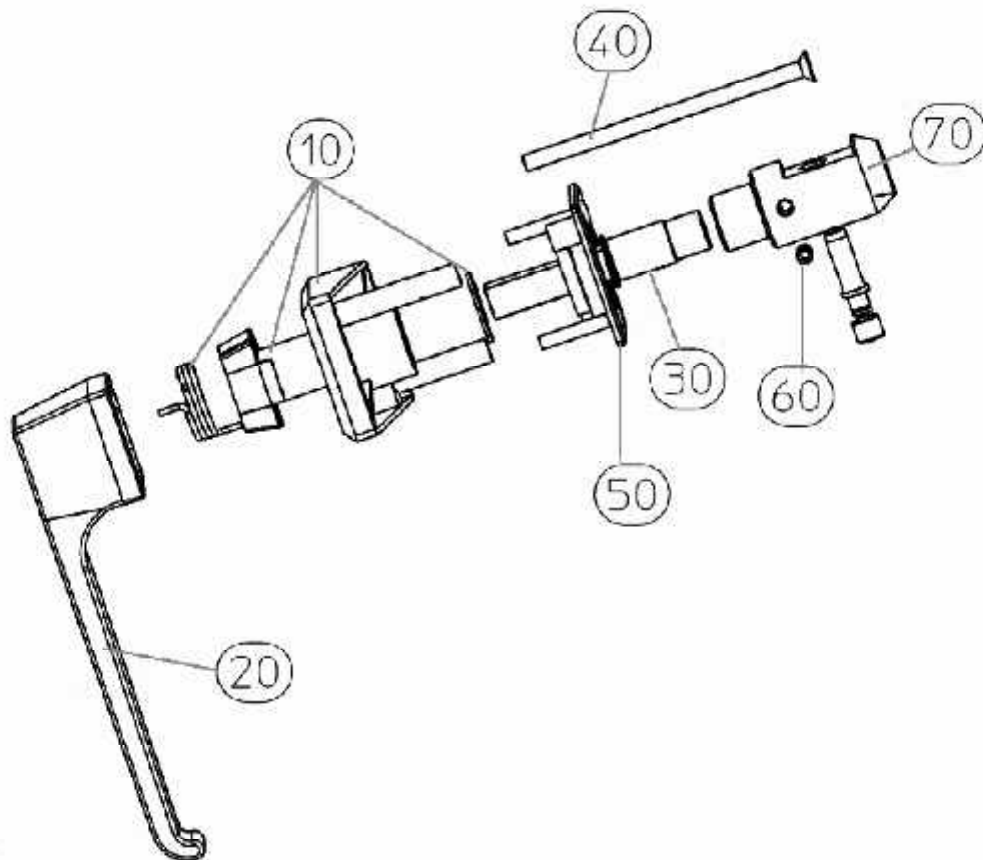
door handle left complete B15 with control manual

Version:

Ident:

Series:

Pert-Number:



Chapter

handle element left complete assembled B15 with control manual - V:

[020] - 36714 - door handle B15

[030] - 2500-402-032 - axle TS

[040] - 42720 - screw M6x110 DIN 7991

[050] - 38152 - counterpiece

[060] - 42725 - threaded pin M8x8 DIN 913

[070] - 101068 - sash fastener

Part: door handle B15

Pert-Number: 36714



Part: axle TS

Pert-Number: 2500-402-032

Part: screw M6x110 DIN 7991

Pert-Number: 42720



Part: counterpiece

Pert-Number: 38152



Part: threaded pin M8x8 DIN 913

Pert-Number: 42725



Part: sash fastener

Pert-Number: 101068

Service manual

handle element left complete assembled B15 with control manual

Version:

Ident:

Series:

Pert-Number:



Chapter

[010] - 100795 - handle insert B15

[020] - 42371 - door handle spring, left-hinged

[030] - 42377 - support

[040] - 42692 - retainer ring

Part: handle insert B15

Pert-Number: 100795



Part: door handle spring, left-hinged

Pert-Number: 42371

Note when installing if a right or left door spring should be used. The door spring can not be damaged. Adjust the spring when first installing to the works position. Incorrect positioning causes spring hardening.



Part: support

Pert-Number: 42377



Part: retainer ring

Pert-Number: 42692

To install/remove the retaining ring use a retaining ring gripper.



Service manual

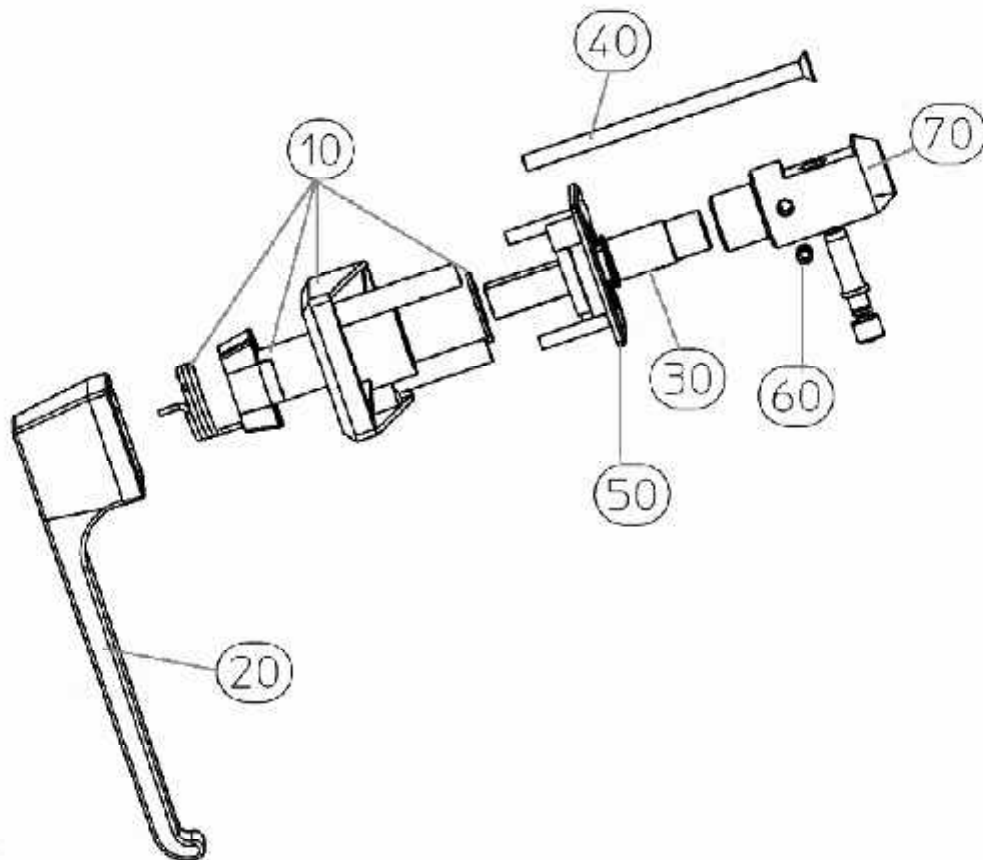
door handle right complete B15 with control manual

Version:

Ident:

Series:

Pert-Number:



Chapter

handle element right complete assembled B15 with control manual - V:

[020] - 36714 - door handle B15

[030] - 2500-402-032 - axle TS

[040] - 42720 - screw M6x110 DIN 7991

[050] - 38152 - counterpiece

[060] - 42725 - threaded pin M8x8 DIN 913

[070] - 101068 - sash fastener

Part: door handle B15

Pert-Number: 36714



Part: axle TS

Pert-Number: 2500-402-032

Part: screw M6x110 DIN 7991

Pert-Number: 42720



Part: counterpiece

Pert-Number: 38152



Part: threaded pin M8x8 DIN 913

Pert-Number: 42725



Part: sash fastener

Pert-Number: 101068

Service manual

handle element right complete assembled B15 with control manual

Version:

Ident:

Series:

Pert-Number:



Chapter

[010] - 100795 - handle insert B15

[020] - 42373 - door handle spring, right-hinged

[030] - 42377 - support

[040] - 42692 - retainer ring

Part: handle insert B15

Pert-Number: 100795



Part: door handle spring, right-hinged

Pert-Number: 42373

Note when installing if a right or left door spring should be used. The door spring can not be damaged. Adjust the spring when first installing to the works position. Incorrect positioning causes spring hardening.



Part: support

Pert-Number: 42377



Part: retainer ring

Pert-Number: 42692

To install/remove the retaining ring use a retaining ring gripper.



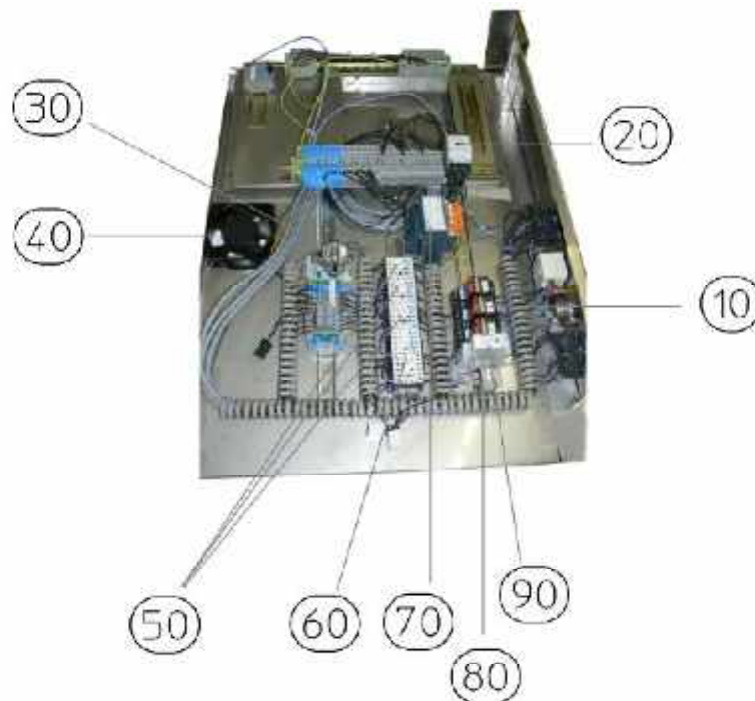
Service manual electric slide manual B15 with control manual

Version:

Ident:

Series:

Pert-Number:



Chapter

- [010] - 33581 - relay
- [020] - 33126 - relay main switch
- [030] - 36304 - cam switch
- [040] - 36822 - axial blower
- [050] - 33884 - relay main switch
- [060] - 33859 - reversing contactor
- [070] - 100840 - transformer
- [080] - 33602 - buzzer
- [090] - 33733 - time delay relay

Part: relay

Pert-Number: 33581

Attention this auxiliary relay has special voltage 200V!



Part: relay main switch

Pert-Number: 33126

If the safety temperature limit (STB) activates, the main safety switch will not switch on. Neither will it switch on when the internal fuses of the power element or the external fuses are defective. The oven will not operate. As soon as the STB is deactivated or the power supply continued, the main safety switch turns on and the power will be forwarded.



Part: cam switch

Pert-Number: 36304

The cam switch is a timed controlled direction changer of the fanwheel and controls the timing connector.



Part: axial blower

Pert-Number: 36822



Part: relay main switch

Pert-Number: 33884

The contactor switches the heater on/off.



Part: reversing contactor

Pert-Number: 33859

The turning contactor is used for changing the rotation of the motor. This effectuates a constant distribution of the air.



Part: transformer

Pert-Number: 100840

The lighting transformer provides power to the baking chamber. The interior lighting is (2x12V/20W) Please note the wiring when removing/inserting. The wire should not come in contact with the circuit board. This may cause sporadic interference with the electronics.



Part: buzzer

Pert-Number: 33602

The buzzer is controlled by 230V. It gives an acoustic signal for example at the end of the baking time.



Part: time delay relay

Pert-Number: 33733

The time relay controls the water idle time after steaming.



Service manual frame B15 with control manual

Version:

Ident:

Series:

Pert-Number:



Chapter

[010] - 36822 - axial blower

[020] - 37937 - door latch; Attention replaced by 9040-120-003

[020] - 9040-120-003 - bracket with inserted nuts PCL

[030] - 34044 - locking block 1

Part: axial blower

Pert-Number: 36822



Part: door latch; Attention replaced by 9040-120-003

Pert-Number: 37937



Part: bracket with inserted nuts PCL

Pert-Number: 9040-120-003

Door latch for furnace without electrical locking mechanism/pro Clean. The Door latch is to be used both for right and for left door stop.

Part: locking block 1

Pert-Number: 34044



Service manual installation-room B15 with control manual

Version:

Ident:

Series:

Pert-Number:



Chapter

installation-room cascade steaming B15 with control manual - V:

installation-room pipe steaming B15 with control manual - V:

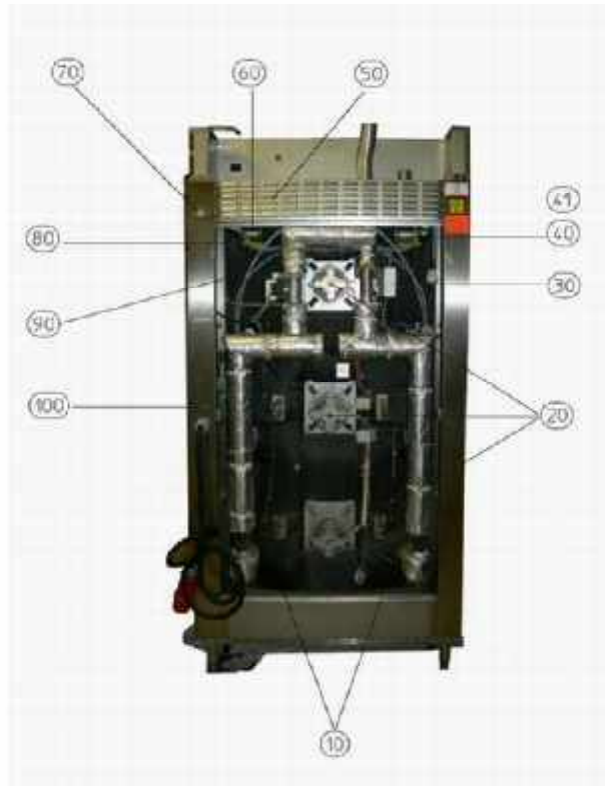
Service manual installation-room cascade steaming B15 with control manual

Version:

Ident:

Series:

Pert-Number:



Chapter

- [010] - 36822 - axial blower
- [020] - 9020-110-002 - fan motor
- [030] - 38816 - fan reversing switch
- [040] - 31134 - exhaust tube B15
- [041] - 38532 - sealing supply and exhaust air
- [050] - 36126 - water flow detector flow meter FH20
- [060] - 100779 - air intake pipe B15
- [070] - 34472 - solenoid valve
- [080] - 34282 - angle fitting
- [090] - 40485 - teflon hose
- [100] - 100627 - safety limit switch (+340°C)

Part: axial blower

Pert-Number: 36822



Part: fan motor

Pert-Number: 9020-110-002

For improved baking results the Flaming Motor has two rotating directions and several speeds. In ovens with the IS Control the speed is regulated by the Triac setter. In ovens with a manual control the contactor regulates the speed. The motor is secured with 4 M 6 nuts. The distance sleeves screws that are fixed by locknuts must always have the same height. Tighten the nuts diagonally to avoid tension. The motor has a built in thermo protection (bimetal) that activates at 160° C and automatically resets when cooled down. When the motor protection is activated the motor function is interrupted. Note that you should avoid speeds under 3 in the baking programs. If the fan wheel doesn't move easily or is unbalanced the motor spool may overheat. The thermo safety of the motor will activate and the complete operation will be interrupted. Check the fan wheel for imbalancing. Replace the fan. If a new motor is installed a new motor shaft seal (article number 34047) must be used. Also, the counter nuts must be diagonally fastened to avoid tension. The motor has a built in thermo protection (bimetal) that activates at 160° C and automatically resets when cooled down.



Part: fan reversing switch

Part-Number: 38816

Air intake/output always run parallel and are self synchronizing. They are controlled from the control board by the running program. If the air intake/output do not run synchronized it can have a negative influence on the baking products. NOTE: When replacing the cam shaft ensure that the control unit have the processing date of 0:26 or 0:25 with the additional notation "check" or "green point" so that the units do not run asynchronous.



Part: exhaust tube B15

Part-Number: 31134



Part: sealing supply and exhaust air

Part-Number: 38532

replaced by 9085-100-003



Part: water flow detector flow meter FH20

Pert-Number: 36126

The flow meter measures the water flow amount. When installing, pay attention to the polarity +/- of the impulse meter (Hall sensor).



Part: air intake pipe B15

Pert-Number: 100779

Part: solenoid valve

Pert-Number: 34472

It is necessary to clean the dirt sieve of the solenoid valve regularly. Particles in the water line will stick to the sieve and interrupt the water flow. Please note the maximum water pressure and other warnings from the data sheets regarding the water connection. The solenoid valve works with a flow pressure of 150 - 600 kPa. You can test the solenoid valve function in the PC - Tool - Test. Attention the test is a continued test and this function is not protected from overload.



Part: angle fitting

Pert-Number: 34282



Part: teflon hose

Pert-Number: 40485



Part: safety limit switch (+340°C)

Pert-Number: 100627

The safety temperature limit switch (STB) is activated at temperatures of -5°C (and lower) and $+329^{\circ}\text{C}$ (and higher). The oven will not operate when this is activated. The STB is part of the safety chain and can be manually re-set. Warning, when the STB is activated the cause must be resolved. Insulate the capillary tube (e.g. on the circuit board) on its critical spots with silicone hose Article number 40074.



Service manual installation-room pipe steaming B15 with control manual

Version:

Ident:

Series:

Pert-Number:



Chapter

- [010] - 36822 - axial blower
- [020] - 36304 - cam switch
- [030] - 31134 - exhaust tube B15
- [031] - 38532 - sealing supply and exhaust air
- [040] - 34282 - angle fitting
- [050] - 9020-110-002 - fan motor
- [060] - 40485 - teflon hose
- [070] - 36126 - water flow detector flow meter FH20
- [080] - 100627 - safety limit switch (+340°C)
- [090] - 33126 - relay main switch

Part: axial blower

Pert-Number: 36822



Part: cam switch

Pert-Number: 36304

The cam switch is a timed controlled direction changer of the fanwheel and controls the turning conactor.



Part: exhaust tube B15

Pert-Number: 31134



Part: sealing supply and exhaust air

Pert-Number: 38532

replaced by 9085-100-003



Part: angle fitting

Pert-Number: 34282



Part: fan motor

Pert-Number: 9020-110-002

For improved baking results the Heating Motor has two rotating directions and several speeds. In ovens with the IS Control the speed is regulated by the Triac setter. In ovens with a manual control the contactor regulates the speed. The motor is secured with 4 M 6 nuts. The distance sleeves screws that are fixed by locknuts must always have the same height. Tighten the nuts diagonally to avoid tension. The motor has a built in thermo protection (bimetal) that activates at 160° C and automatically resets when cooled down. When the motor protection is activated the motor function is interrupted. Note that you should avoid speeds under 3 in the baking programs. If the fan wheel doesn't move easily or is unbalanced the motor speed may overheat. The thermo safety of the motor will activate and the complete operation will be interrupted. Check the fan wheel for unbalancing. Replace the fan. If a new motor is installed a new motor shaft seal (article number 34047) must be used. Also, the counter nuts must be diagonally fastened to avoid tension. The motor has a built in thermo protection (bimetal) that activates at 160° C and automatically resets when cooled down.



Part: teflon hose

Pert-Number: 40485



Part: water flow detector flow meter FH20

Pert-Number: 36126

The flow meter measures the water flow amount. When installing, pay attention to the polarity +/- of the impulse meter (Hall sensor).



Part: safety limit switch (+340°C)

Pert-Number: 100627

The safety temperature limit switch (STB) is activated at temperatures of -5°C (and lower) and $+329^{\circ}\text{C}$ (and higher). The oven will not operate when this is activated. The STB is part of the safety chain and can be manually re-set. Warning, when the STB is activated the cause must be resolved. Insulate the capillary tube (e.g. on the circuit board) on its critical spots with silicone hose Article number 40074.



Part: relay main switch

Part-Number: 33126

If the safety temperature limit (STB) activates, the main safety switch will not switch on. Neither will it switch on when the internal fuses of the power element or the external fuses are defective. The oven will not operate. As soon as the STB is deactivated or the power supply continued, the main safety switch turns on and the power will be forwarded.



Service manual rack trolley B15 with control manual

Version:

Ident:

Series:

Pert-Number:



Chapter

105092 - rack trolley with 13 Trays B15 with control manual - V;

45228 - rack trolley with 15 trays B15 with control manual - V;

101623 - rack trolley with 18 Trays B15 with control manual - V;

Service manual rack trolley with 13 Trays B15 with control manual

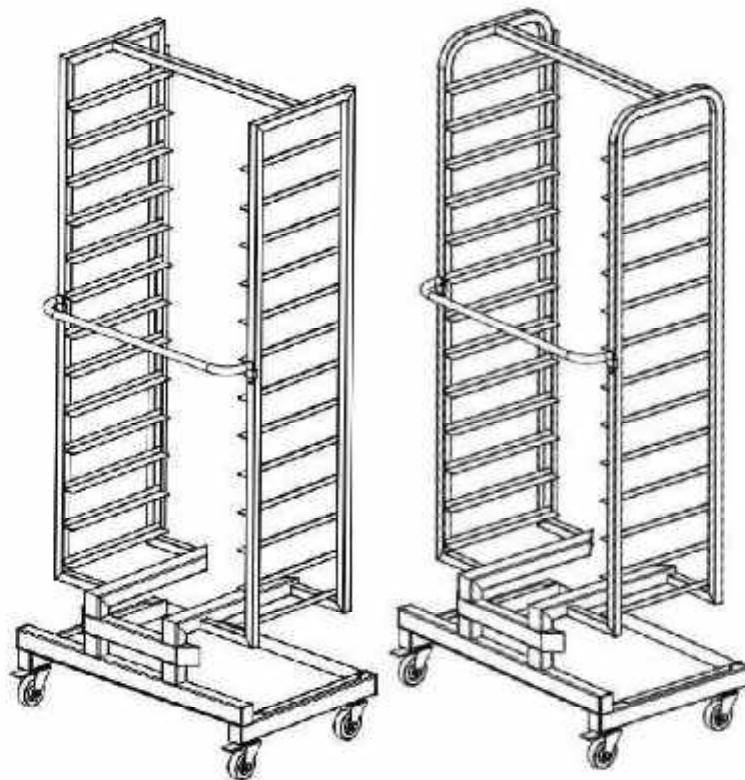
Version:

Ident:

Series:

Pert-Number: 105092

This part can be ordered.



Chapter

34690 - castor without bracket

34691 - castor with bracket

9050-110-006 - castor with brake stainless steel

9050-110-007 - castor without brake stainless steel

Part: castor without bracket

Pert-Number: 34690



Part: castor with bracket

Pert-Number: 34691



Part: castor with brake stainless steel

Pert-Number: 9050-110-006



Part: castor without brake stainless steel

Pert-Number: 9050-110-007



Service manual rack trolley with 15 trays B15 with control manual

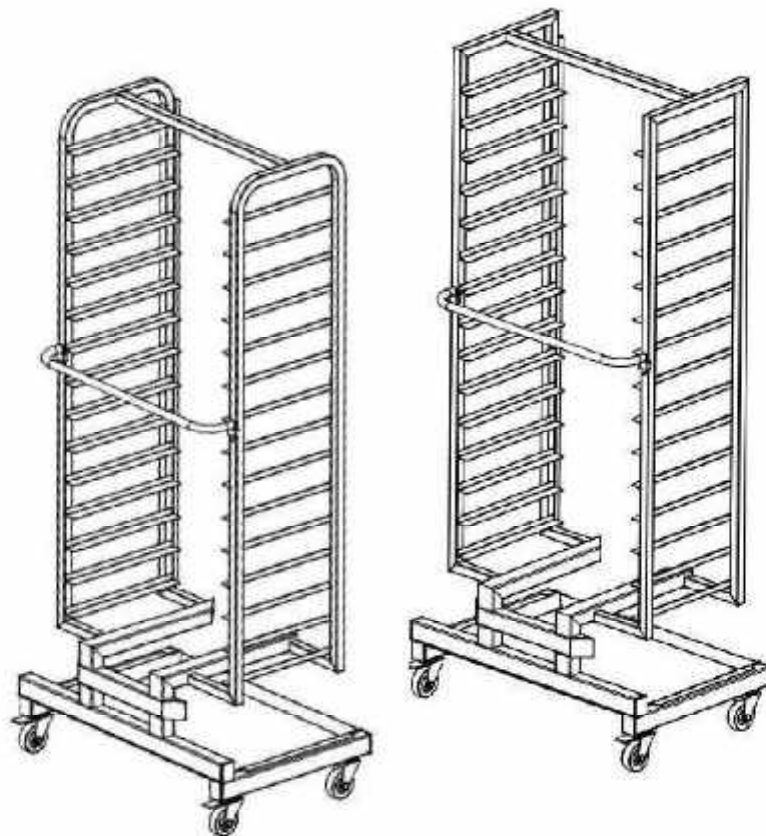
Version:

Ident:

Series:

Pert-Number: 45228

This part can be ordered.



Chapter

34690 - castor without bracket

34691 - castor with bracket

9050-110-006 - castor with brake stainless steel

9050-110-007 - castor without brake stainless steel

Part: castor without bracket

Pert-Number: 34690



Part: castor with bracket

Pert-Number: 34691



Part: castor with brake stainless steel

Pert-Number: 9050-110-006



Part: castor without brake stainless steel

Pert-Number: 9050-110-007



Servicemanual rack trolley with 18 Trays B15 with control manual

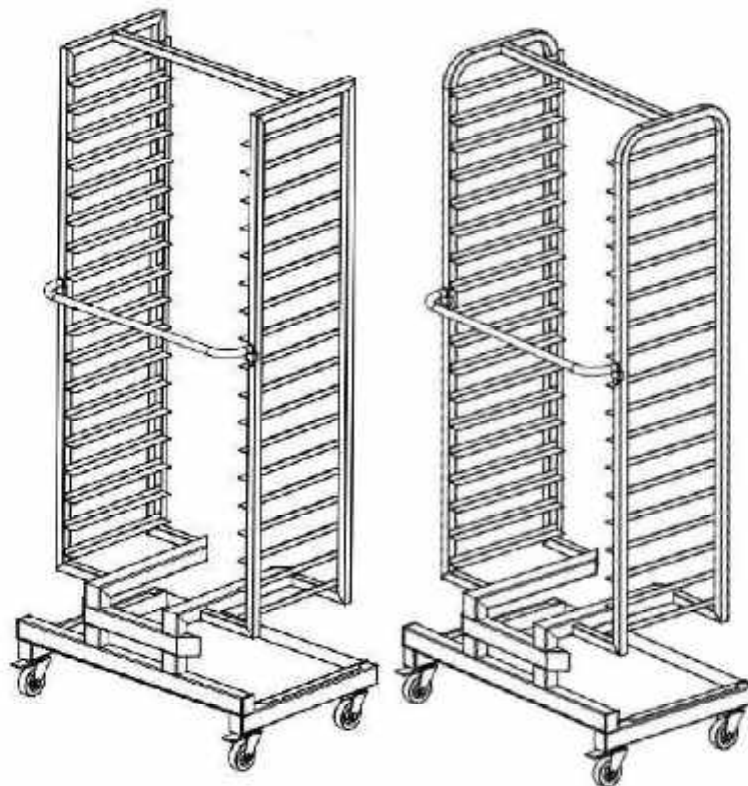
Version:

Ident:

Series:

Pert-Number: 101623

This part can be ordered.



Chapter

34690 - castor without bracket

34691 - castor with bracket

9050-110-006 - castor with brake stainless steel

9050-110-007 - castor without brake stainless steel

Part: castor without bracket

Pert-Number: 34690



Part: castor with bracket

Pert-Number: 34691



Part: castor with brake stainless steel

Pert-Number: 9050-110-006



Part: castor without brake stainless steel

Pert-Number: 9050-110-007



Copyright:

WIESHEU GmbH retains the copyright for this service manual.
This service manual is solely intended for authorized service partners and their personnel.
It contains instructions and information which may not be copied, distributed or otherwise imparted as a whole or in part.

All representations, drawings, images, texts and details are protected by copyright.
They are subject to industrial property rights.

About this service manual:

All figures in this document have the purpose of aiding comprehension. The figures are not to scale. In some cases the figures are similar to the original product and may differ slightly.

Important!

Prevent malfunctions or damage caused by wrong spare parts.
We recommend the sole use of WIESHEU original spare parts.

Wiesheu GmbH
Daimlerstraße 10
DE-71563 Affalterbach
Phone: +49 (0)7144 / 3 03-0
Fax: +49 (0)7144 / 3 03-11
Email: info@wiesheu.de
www.wiesheu.de

Rev.: 10/10/2011