

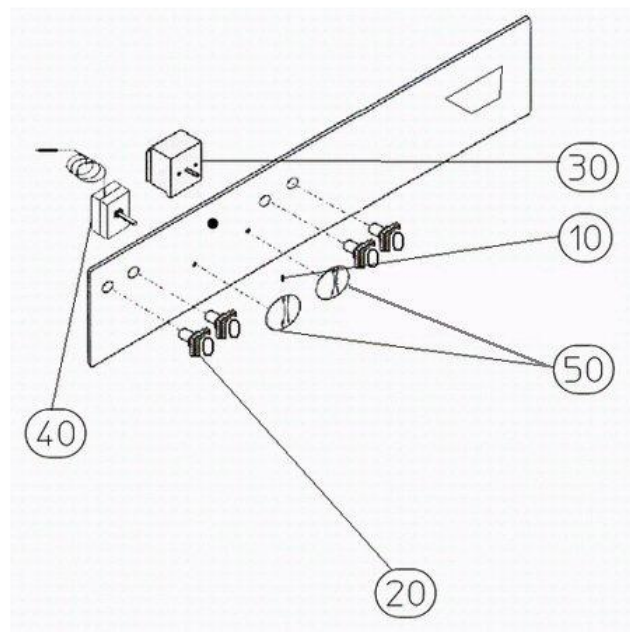
Deutsch ▾

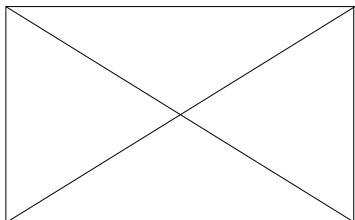


<URL:
<http://78.47.113.80/Default.aspx>>

Suchen

[32] EUROMAT EM <URL: <http://78.47.113.80/Default.aspx?ToExpand=46992&Back=1>> > EUROMAT B8-EM / B8-B4-EM-Vario <URL: <http://78.47.113.80/Default.aspx?ToExpand=68182&Back=3>> > EUROMAT B8-EM - V 2.00 <URL: <http://78.47.113.80/Default.aspx?ToExpand=68182&Back=3>> > Euromat B8-EM 400V 50Hz - V 2.00 <URL: <http://78.47.113.80/Default.aspx?ToExpand=68205&Back=5>> > Bedienblende EM manuell Euromat B8-EM 400V 50Hz <URL: <http://78.47.113.80/Default.aspx?ToExpand=68205&Back=5>>





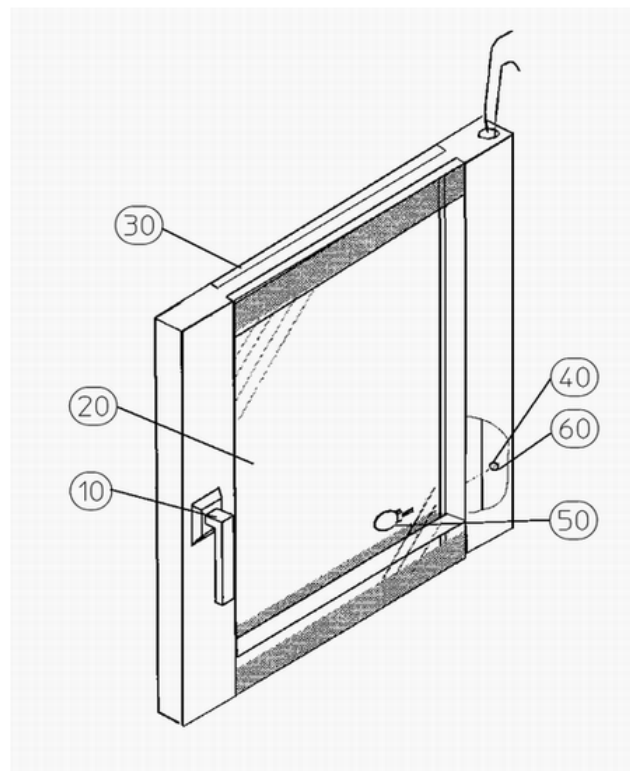
Deutsch ▾

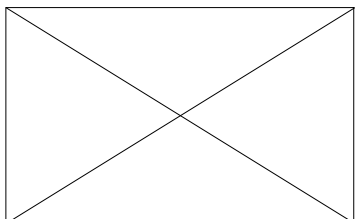


<URL:
<http://78.47.113.80/Default.aspx>>

Suchen

[32] EUROMAT EM <URL: <http://78.47.113.80/Default.aspx?ToExpand=46992&Back=1>> > EUROMAT B8-EM / B8-B4-EM-Vario <URL: <http://78.47.113.80/Default.aspx?ToExpand=68182&Back=3>> > EUROMAT B8-EM - V 2.00 <URL: <http://78.47.113.80/Default.aspx?ToExpand=68182&Back=3>> > Euromat B8-EM 400V 50Hz - V 2.00 <URL: <http://78.47.113.80/Default.aspx?ToExpand=68184&Back=5>> > Tür Euromat B8-EM 400V 50Hz <URL: <http://78.47.113.80/Default.aspx?ToExpand=68184&Back=5>>





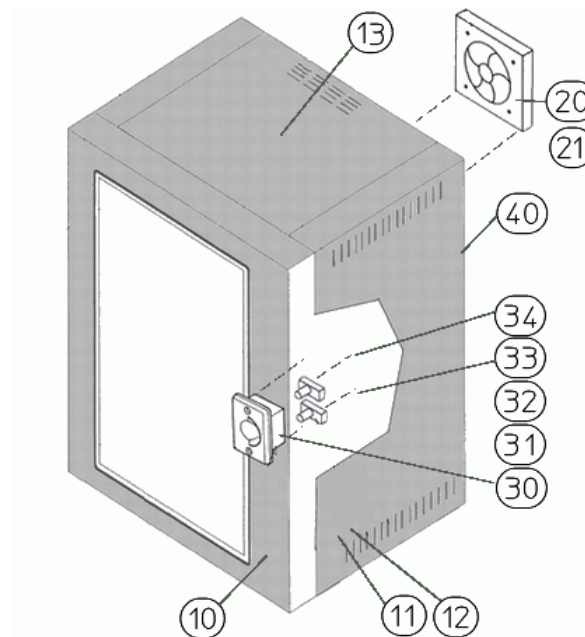
Deutsch ▾

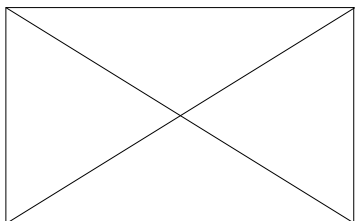


<URL:
<http://78.47.113.80/Default.aspx>>

Suchen

[32] EUROMAT EM <URL: <http://78.47.113.80/Default.aspx?ToExpand=46992&Back=1>> > EUROMAT B8-EM / B8-B4-EM-Vario <URL: <http://78.47.113.80/Default.aspx?ToExpand=68182&Back=3>> > EUROMAT B8-EM - V 2.00 <URL: <http://78.47.113.80/Default.aspx?ToExpand=68182&Back=3>> > Euromat B8-EM 400V 50Hz - V 2.00 <URL: <http://78.47.113.80/Default.aspx?ToExpand=71346&Back=5>>





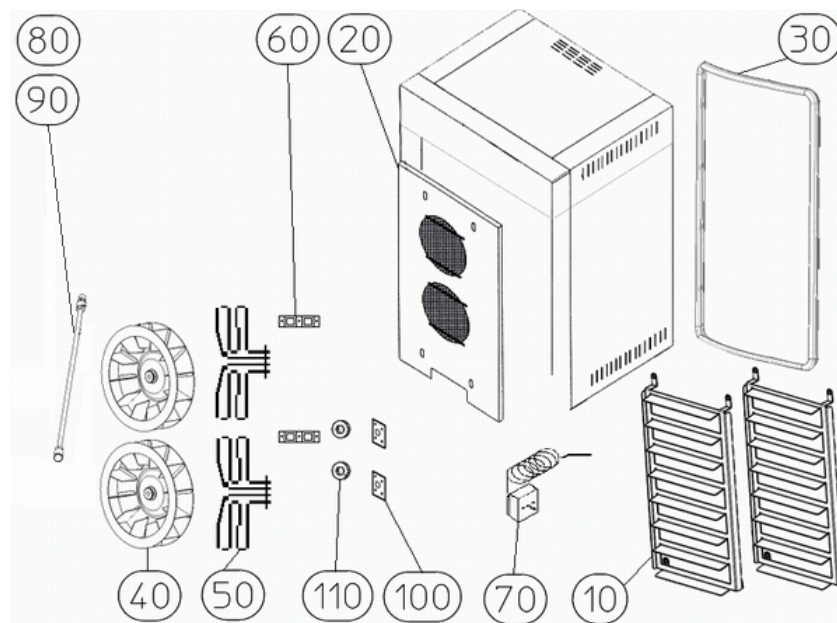
Deutsch

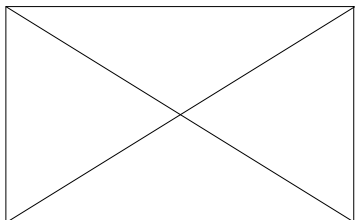


<URL: <http://78.47.113.80/Default.aspx>>

Suchen

[32] EUROMAT EM <URL: <http://78.47.113.80/Default.aspx?ToExpand=46992&Back=1>> EUROMAT B8-EM / B8-B4-EM-Vario <URL: <http://78.47.113.80/Default.aspx?ToExpand=68182&Back=3>> EUROMAT B8-EM - V 2.00 <URL: <http://78.47.113.80/Default.aspx?ToExpand=68182&Back=3>> Euromat B8-EM 400V 50Hz - V 2.00 <URL: <http://78.47.113.80/Default.aspx?ToExpand=68192&Back=5>> Backkammer Euromat B8-EM 400V 50Hz <URL: <http://78.47.113.80/Default.aspx?ToExpand=68192&Back=5>>





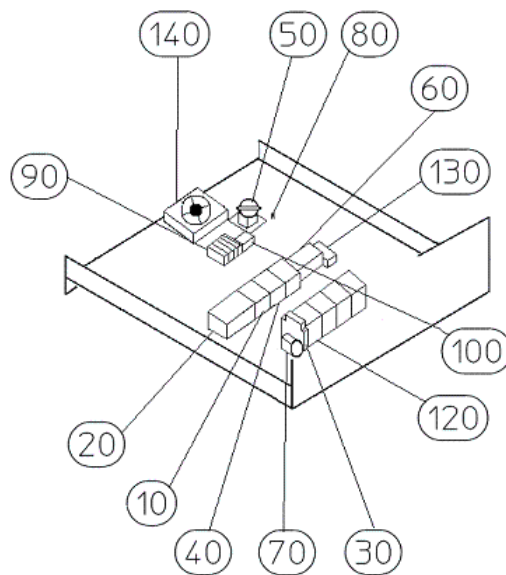
Deutsch ▾

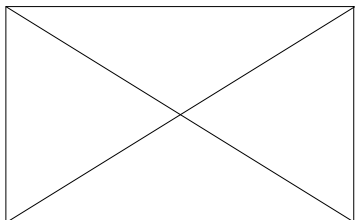


<URL:
<http://78.47.113.80/Default.aspx>>

Suchen

[32] **EUROMAT EM** <URL: <http://78.47.113.80/Default.aspx?ToExpand=46992&Back=1>> EUROMAT B8-EM / B8-B4-EM-Vario <URL: <http://78.47.113.80/Default.aspx?ToExpand=68182&Back=3>> EUROMAT B8-EM - V 2.00 <URL: <http://78.47.113.80/Default.aspx?ToExpand=68182&Back=3>> Euromat B8-EM 400V 50Hz - V 2.00 <URL: <http://78.47.113.80/Default.aspx?ToExpand=68200&Back=5>> Elektroschieber EM manuell Euromat B8-EM 400V 50Hz <URL: <http://78.47.113.80/Default.aspx?ToExpand=68200&Back=5>>





Deutsch



<URL:
<http://78.47.113.80/Default.aspx>>

Suchen

[32] EUROMAT EM <URL: <http://78.47.113.80/Default.aspx?ToExpand=46992&Back=1>> EUROMAT B8-EM / B8-B4-EM-Vario <URL: <http://78.47.113.80/Default.aspx?ToExpand=68182&Back=3>> EUROMAT B8-EM - V 2.00 <URL: <http://78.47.113.80/Default.aspx?ToExpand=68182&Back=3>> Euromat B8-EM 400V 50Hz - V 2.00 <URL: <http://78.47.113.80/Default.aspx?ToExpand=68197&Back=5>> Installationsraum Euromat B8-EM 400V 50Hz <URL: <http://78.47.113.80/Default.aspx?ToExpand=68197&Back=5>>

