

Service manual

Version: 2.00

Ident: B5-MIN3

Series: MIN-1,2,3

Part-Number:

This part can be ordered.



Chapter

Baking Chamber MINIMAT 3 - V:2.00

Electric slide MINIMAT IS - V:2.00

Electric slide MINIMAT manual - V:2.00

Frame MINIMAT 3 - V:2.00

Installation-Room MINIMAT 3 - V:2.00

Operating Panel MINIMAT IS - V:2.00

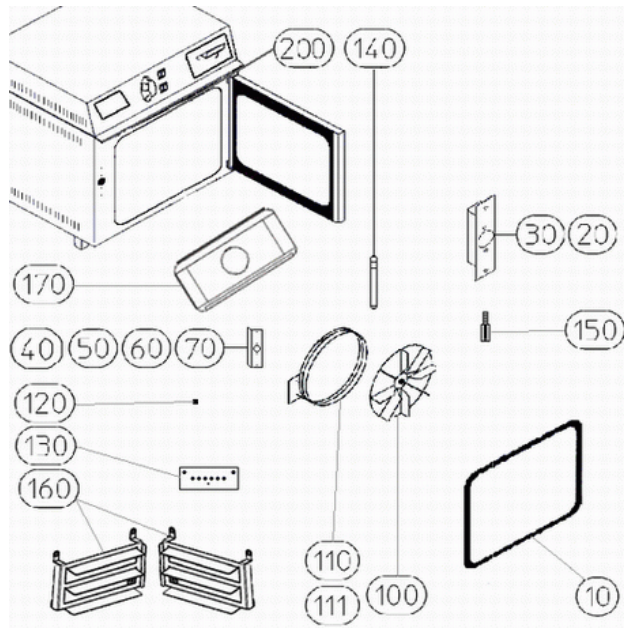
Operating Panel MINIMAT manual - V:2.00

500021 - Tank - V:2.00

Service manual

Baking Chamber MINIMAT 3

Version: 2.00
 Ident: B5-MIN3
 Series: MIN-1,2,3
 Part-Number:



Chapter

- [010] - 38337 - Door seal MINIMAT
- [020] - 401516 - Electrical door closure complete
- [030] - 402820 - Mechanical door closure complete (MIN3)
- [040] - 400973 - Mechanical closing sheet, MINIMAT right
- [050] - 400600 - Mechanical closing sheet, MINIMAT left
- [060] - 78036 - Electrical closing sheet right
- [070] - 78037 - Electrical closing sheet left
- [100] - 400654 - Fan wheel
- [110] - 78016 - Heater 7500 W
- [130] - 36545 - Seal heater
- [140] - 401520 - Steam pipe connection MIN3
- [150] - 78021 - Steam pipe connection MINIMAT 2+3
- [170] - 400644 - Motor cover
- [190] - 401158 - Ventilation plate
- [200] - 400263 - Type K thermocouple

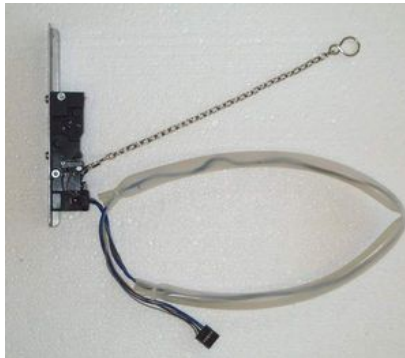
Part: Door seal MINIMAT

Part-Number: 38337



Part: Electrical door closure complete

Part-Number: 401516



Part: Mechanical door closure complete (MIN3)

Part-Number: 402820

Part: Mechanical closing sheet, MINIMAT right

Part-Number: 400973



Part: Mechanical closing sheet, MINIMAT left

Part-Number: 400600



Part: Electrical closing sheet right

Part-Number: 78036



Part: Electrical closing sheet left

Part-Number: 78037



Part: Fan wheel

Part-Number: 400654



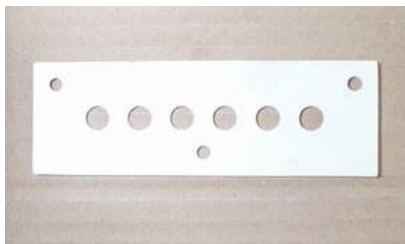
Part: Heater 7500 W

Part-Number: 78016



Part: Seal heater

Part-Number: 36545



Part: Steam pipe connection MIN3

Part-Number: 401520

Part: Steam pipe connection MINIMAT 2+3

Part-Number: 78021



Part: Motor cover

Part-Number: 400644



Part: Ventilation plate

Part-Number: 401158



Part: Type K thermocouple

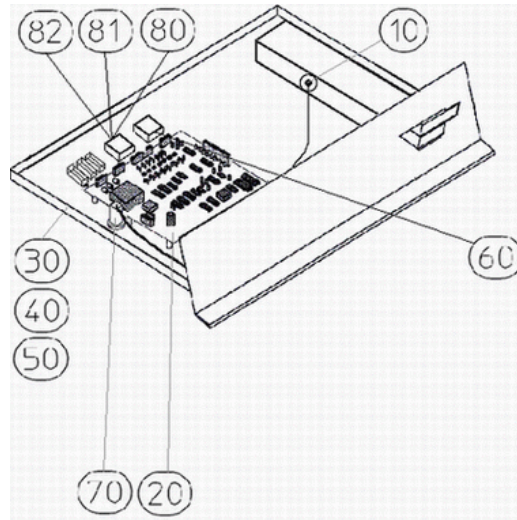
Part-Number: 400263



Service manual

Electric slide MINIMAT IS

Version: 2.00
 Ident: B5-MIN3
 Series: MIN-1,2,3
 Part-Number:



Chapter

- [010] - 401523 - Loudspeaker
- [020] - 101106 - Power board
- [030] - 34110 - Clamp 3L 2.5qmm 280-687
- [040] - 34109 - Clamp 3L blue 280-684
- [050] - 34108 - Clamp grey 3L 2.5qmm
- [060] - 100840 - Transformer
- [070] - 78030 - Capaciter 14 μ F 50Hz
- [080] - 33884 - Relay main switch
- [081] - 33581 - Relay
- [082] - 33610 - Socket 8-pole

Part: Loudspeaker

Part-Number: 401523



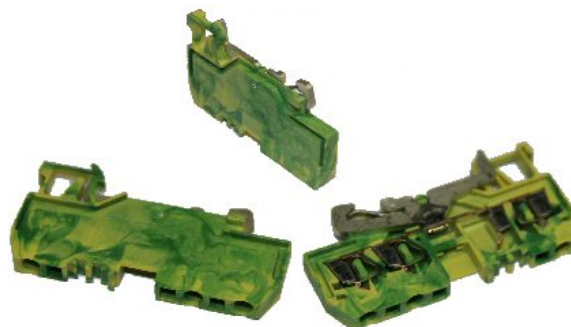
Part: Power board

Part-Number: 101106



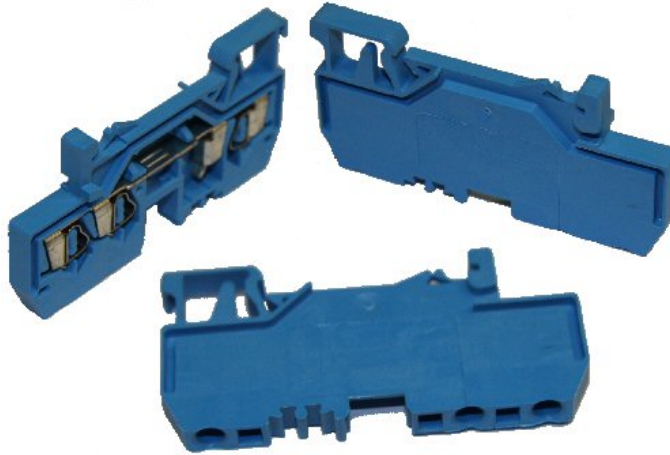
Part: Clamp 3L 2.5qmm 280-687

Part-Number: 34110



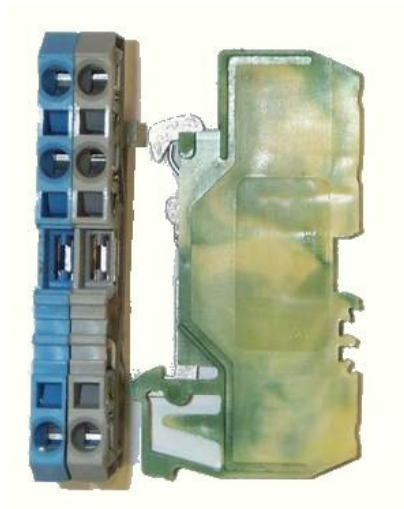
Part: Clamp 3L blue 280-684

Part-Number: 34109



Part: Clamp grey 3L 2.5qmm

Part-Number: 34108



Part: Transformer

Part-Number: 100840



Part: Capaciter 14 μ F 50Hz

Part-Number: 78030



Part: Relay main switch

Part-Number: 33884



Part: Relay

Part-Number: 33581



Part: Socket 8-pole

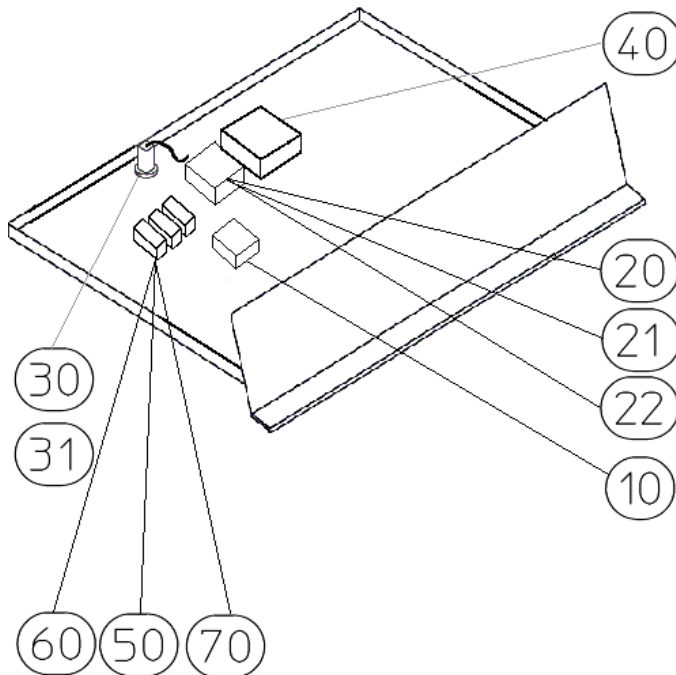
Part-Number: 33610



Service manual

Electric slide MINIMAT manual

Version: 2.00
 Ident: B5-MIN3
 Series: MIN-1,2,3
 Part-Number:



Chapter

- [010] - 36304 - Fan reversing switch
- [020] - 33884 - Relay main switch
- [021] - 33581 - Relay
- [022] - 33610 - Socket 8-pole
- [030] - 78030 - Capaciter 14 μ F 50Hz
- [040] - 100840 - Transformer
- [050] - 34110 - Clamp 3L 2.5qmm 280-687
- [060] - 34109 - Clamp 3L blue 280-684
- [070] - 34108 - Clamp grey 3L 2.5qmm

Part: Fan reversing switch

Part-Number: 36304



Part: Relay main switch

Part-Number: 33884



Part: Relay

Part-Number: 33581



Part: Socket 8-pole

Part-Number: 33610



Part: Capaciter 14 μ F 50Hz

Part-Number: 78030



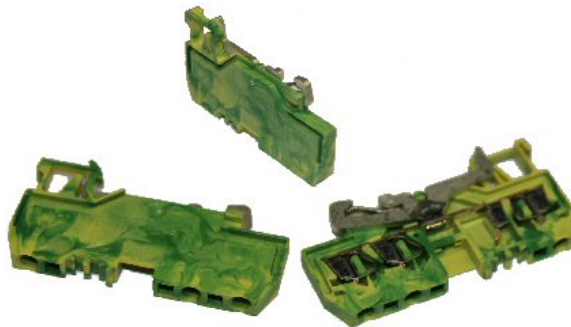
Part: Transformer

Part-Number: 100840



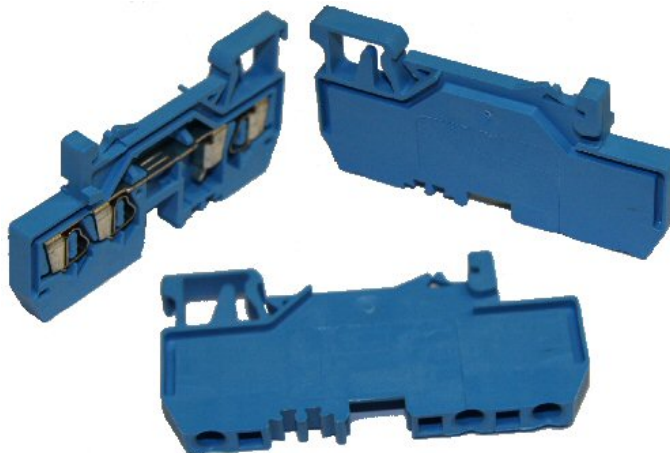
Part: Clamp 3L 2.5qmm 280-687

Part-Number: 34110



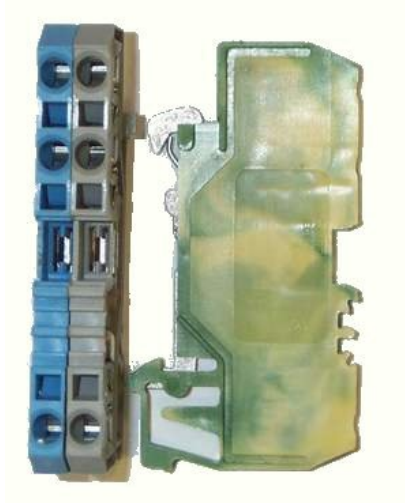
Part: Clamp 3L blue 280-684

Part-Number: 34109



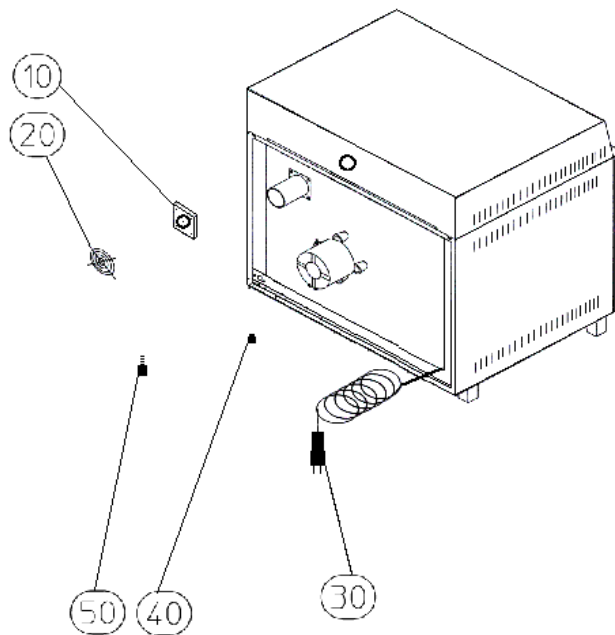
Part: Clamp grey 3L 2.5qmm

Part-Number: 34108



Service manual Frame MINIMAT 3

Version: 2.00
Ident: B5-MIN3
Series: MIN-1,2,3
Part-Number:



Chapter

- 405291 - Minimat 3 Feet
- [010] - 33906 - Axial Blower 15W
- [020] - 33973 - Axial fan cover
- [030] - 25005 - Connection cable Euro-Kraft-Plug 400V
- [040] - 33105 - Foot cover cap
- [050] - 33104 - Rubber Separator

Part: Minimat 3 Feet

Part-Number: 405291



Part: Axial Blower 15W

Part-Number: 33906



Part: Axial fan cover

Part-Number: 33973



Part: Connection cable Euro-Kraft-Plug 400V

Part-Number: 25005



Part: Foot cover cap

Part-Number: 33105



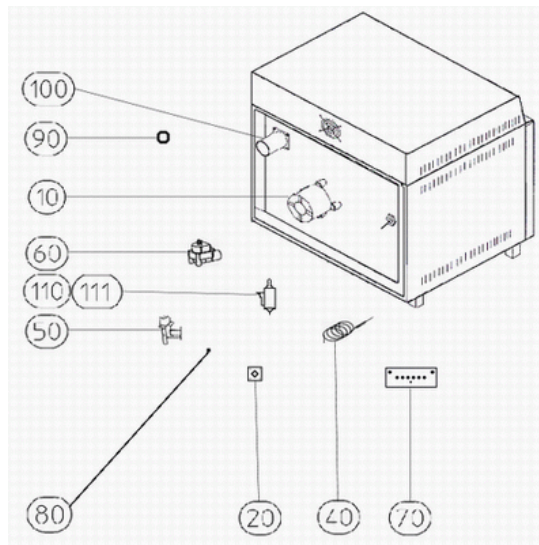
Part: Rubber Separator

Part-Number: 33104



Service manual Installation-Room MINIMAT 3

Version: 2.00
 Ident: B5-MIN3
 Series: MIN-1,2,3
 Part-Number:



Chapter

- [010] - 406370 - Motor 200W
- [020] - 78045 - Seal motor shaft, graphit
- [040] - 400263 - Type K thermocouple
- [050] - 403754 - Solenoid valve (flow restrictor)
- [060] - 36126 - Water flow detector flow meter FH20
- [070] - 78046 - Heater Support
- [080] - 70800 - Seal copper
- [090] - 33970 - Exhaust tube seal DN 50 to 26632
- [100] - 400071 - Exhaust Tube
- [110] - 38513 - Water tank pump
- [111] - 401326 - Water tank pump special voltage model

Part: Motor 200W

Part-Number: 406370



Part: Seal motor shaft, graphit

Part-Number: 78045



Part: Type K thermocouple

Part-Number: 400263



Part: Solenoid valve (flow restrictor)

Part-Number: 403754



Part: Water flow detector flow meter FH20

Part-Number: 36126



Part: Heater Support

Part-Number: 78046



Part: Seal copper

Part-Number: 70800



Part: Exhaust tube seal DN 50 to 26632

Part-Number: 33970



Part: Exhaust Tube

Part-Number: 400071



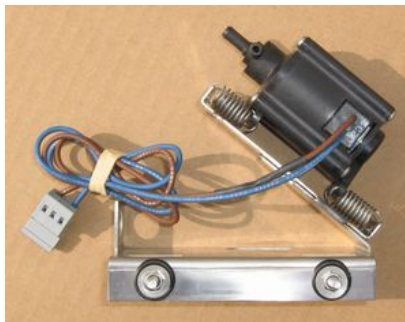
Part: Water tank pump

Part-Number: 38513



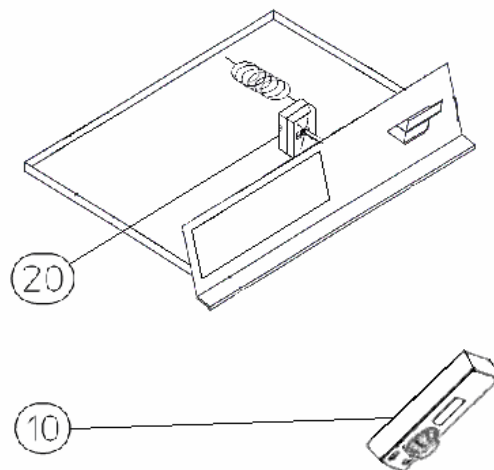
Part: Water tank pump special voltage model

Part-Number: 401326



Service manual Operating Panel MINIMAT IS

Version: 2.00
Ident: B5-MIN3
Series: MIN-1,2,3
Part-Number:



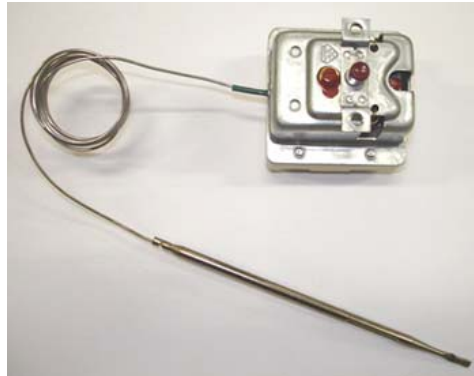
Chapter

400982 - Operating Unit IS 500 for MINIMAT - V:2.00

[020] - 70355 - Safety limit switch

Part: Safety limit switch

Part-Number: 70355



Service manual Operating Unit IS 500 for MINIMAT

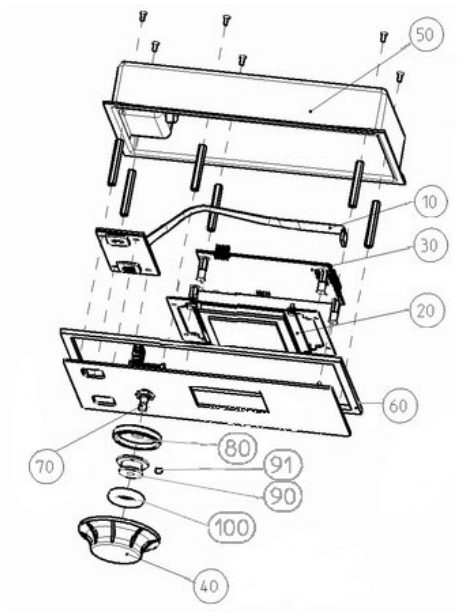
Version: 2.00

Ident: B5-MIN3

Series: MIN-1,2,3

Part-Number: 400982

This part can be ordered.



Chapter

- [010] - 101563 - Key block
- [020] - 100804 - Display IS500 with circuit board
- [030] - 105564 - Electronic Circuit Board IS500
- [040] - 102685 - Knob grey
- [050] - 102450 - Frame IS
- [060] - 102449 - Seal for frame IS
- [070] - 100591 - Incremental encoder
- [080] - 104353 - Ribbon cable for IS500
- [090] - 102806 - USB port with data wire
- [091] - 101434 - Adapter_D54x22
- [100] - 101435 - O-Ring_D16x7_NBR60

Part: Key block

Part-Number: 101563



Part: Display IS500 with circuit board

Part-Number: 100804



Part: Electronic Circuit Board IS500

Part-Number: 105564



Part: Knob grey

Part-Number: 102685



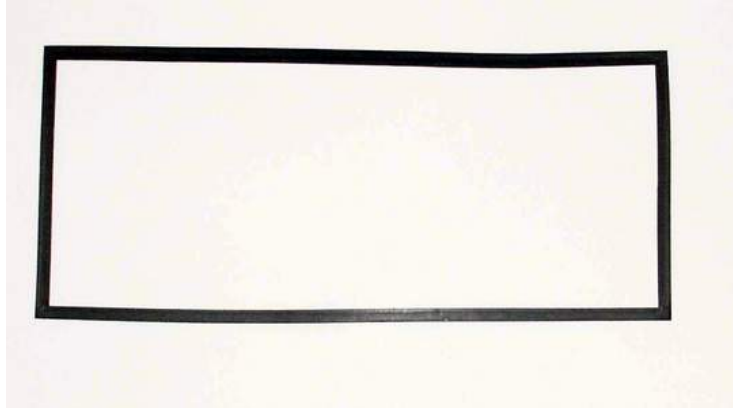
Part: Frame IS

Part-Number: 102450



Part: Seal for frame IS

Part-Number: 102449



Part: Incremental encoder

Part-Number: 100591



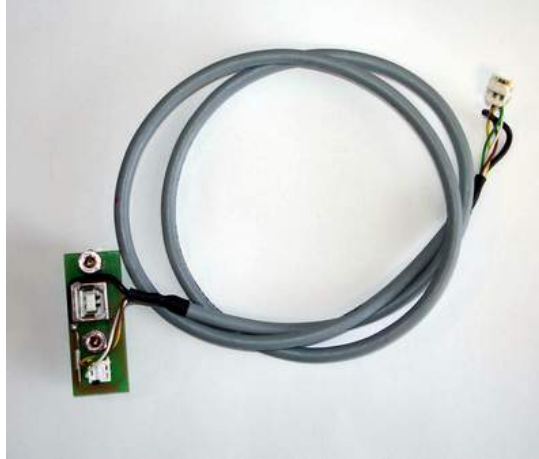
Part: Ribbon cable for IS500

Part-Number: 104353



Part: USB port with data wire

Part-Number: 102806



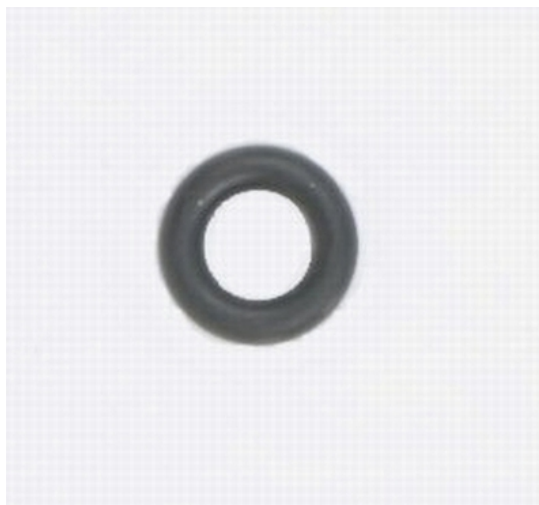
Part: Adapter_D54x22

Part-Number: 101434



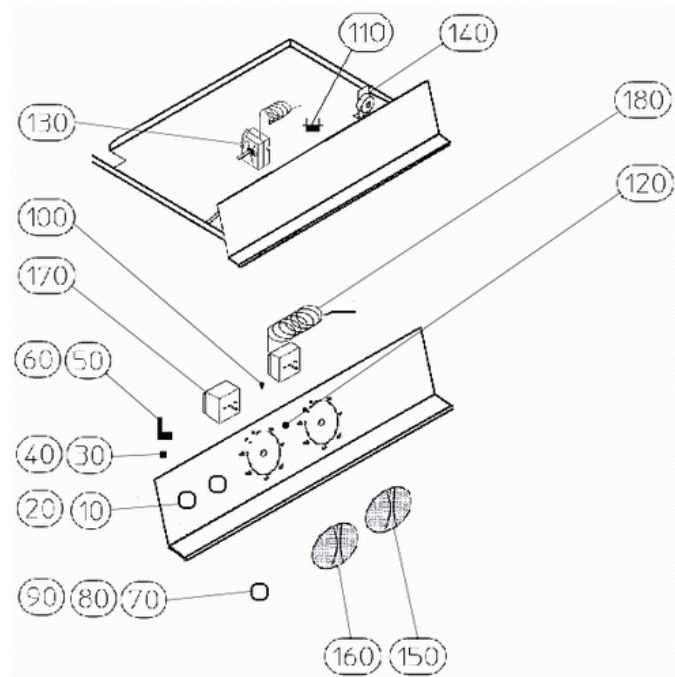
Part: O-Ring_D16x7_NBR60

Part-Number: 101435



Service manual Operating Panel MINIMAT manual

Version: 2.00
Ident: B5-MIN3
Series: MIN-1,2,3
Part-Number:



Chapter

- [010] - 401082 - Illuminated key
- [020] - 401083 - Illuminated notch
- [030] - 401049 - Illuminated key LED 12-30 V
- [040] - 400772 - Illuminated key LED 230 V
- [050] - 400771 - Illuminated key attachment adapter
- [060] - 400773 - Illuminated key closing contact
- [070] - 400774 - Illuminated push button "On-/Off"
- [080] - 400775 - Illuminated push button "water"
- [090] - 400781 - Illuminated push button "white"
- [100] - 35151 - Glow lamp
- [110] - 400342 - Safety limit switch
- [120] - 33004 - Control lamp yellow
- [130] - 70355 - Safety limit switch
- [140] - 36058 - Buzzer
- [150] - 36691 - Knob timer
- [160] - 34862 - Knob thermostat
- [170] - 78012 - Timer
- [180] - 37981 - Capillary Tube Regulator

Part: Illuminated key

Part-Number: 401082



Part: Illuminated notch

Part-Number: 401083



Part: Illuminated key LED 12-30 V

Part-Number: 401049



Part: Illuminated key LED 230 V

Part-Number: 400772



Part: Illuminated key attachment adapter

Part-Number: 400771



Part: Illuminated key closing contact

Part-Number: 400773



Part: Illuminated push button "On-/Off"

Part-Number: 400774



Part: Illuminated push button "water"

Part-Number: 400775



Part: Illuminated push button "white"

Part-Number: 400781



Part: Glow lamp

Part-Number: 35151



Part: Safety limit switch

Part-Number: 400342



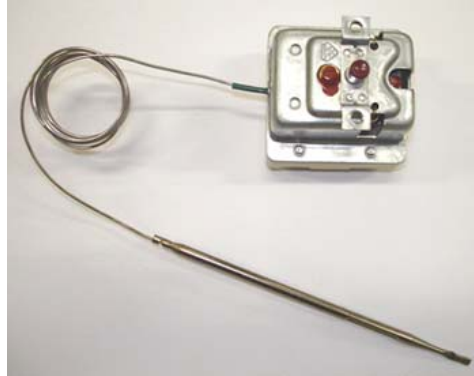
Part: Control lamp yellow

Part-Number: 33004



Part: Safety limit switch

Part-Number: 70355



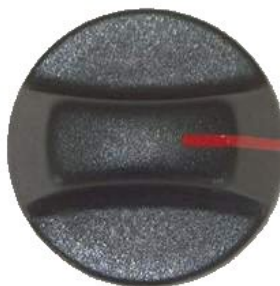
Part: Buzzer

Part-Number: 36058



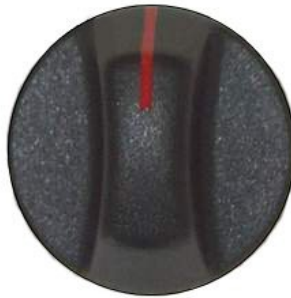
Part: Knob timer

Part-Number: 36691



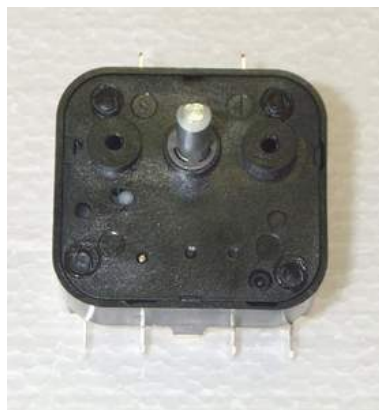
Part: Knob thermostat

Part-Number: 34862



Part: Timer

Part-Number: 78012



Part: Capillary Tube Regulator

Part-Number: 37981



Service manual Tank

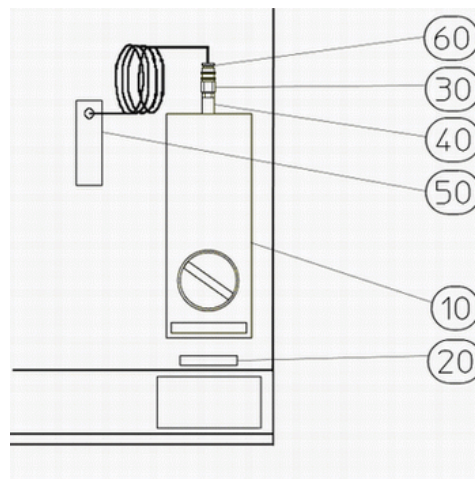
Version: 2.00

Ident: B5-MIN3

Series: MIN-1,2,3

Part-Number: 500021

This part can be ordered.



Chapter

- [010] - 401137 - Tank
- [020] - 401141 - Tank lid magnet
- [030] - 100502 - Quick connect tank
- [040] - 100515 - Plug nipple tank
- [050] - 100529 - Level sensor
- [060] - 37882 - Level sensor connection

Part: Tank

Part-Number: 401137



Part: Tank lid magnet

Part-Number: 401141



Part: Quick connect tank

Part-Number: 100502



Part: Plug nipple tank

Part-Number: 100515



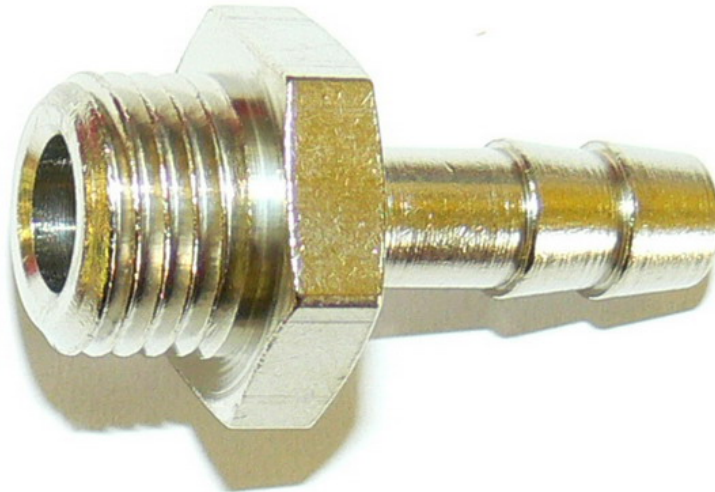
Part: Level sensor

Part-Number: 100529



Part: Level sensor connection

Part-Number: 37882





Urheberrecht:

Das Urheberrecht an diesem Servicehandbuch verbleibt bei der WIESHEU GmbH. Dieses Servicehandbuch ist nur für autorisierte Servicepartner und dessen Personal bestimmt. Sie enthält Vorschriften und Hinweise, die weder vollständig noch teilweise vervielfältigt, verbreitet oder anderweitig mitgeteilt werden dürfen.

Alle Darstellungen, Zeichnungen, Bilder Texte und Angaben sind urheberrechtlich geschützt. Sie unterliegen den gewerblichen Schutzrechten.

Zu diesem Servicehandbuch:

Alle Abbildungen in diesem Dokument sollen die Verständlichkeit unterstützen. Die Abbildungen sind nicht maßstabsgerecht. Teilweise sind dem Originalprodukt ähnelnde Abbildungen dargestellt, die geringfügig abweichen können.

Achtung!

Vermeiden Sie Fehlfunktionen oder Beschädigungen durch falsche Ersatzteile. Wir empfehlen die ausschließliche Verwendung von WIESHEU-Original-Ersatzteilen.

Wiesheu GmbH
Daimlerstrasse 10
DE-71563 Affalterbach
Telefon: +49 (0)7144 / 3 03-0
Fax: +49 (0)7144 / 3 03-11
Service-Telefon: 0800-WIESHEU
E-Mail: info@wiesheu.de
www.wiesheu.de

Stand: 08.06.2010