

# Spare parts list

## UC-M, UC-L, UC-XL V02

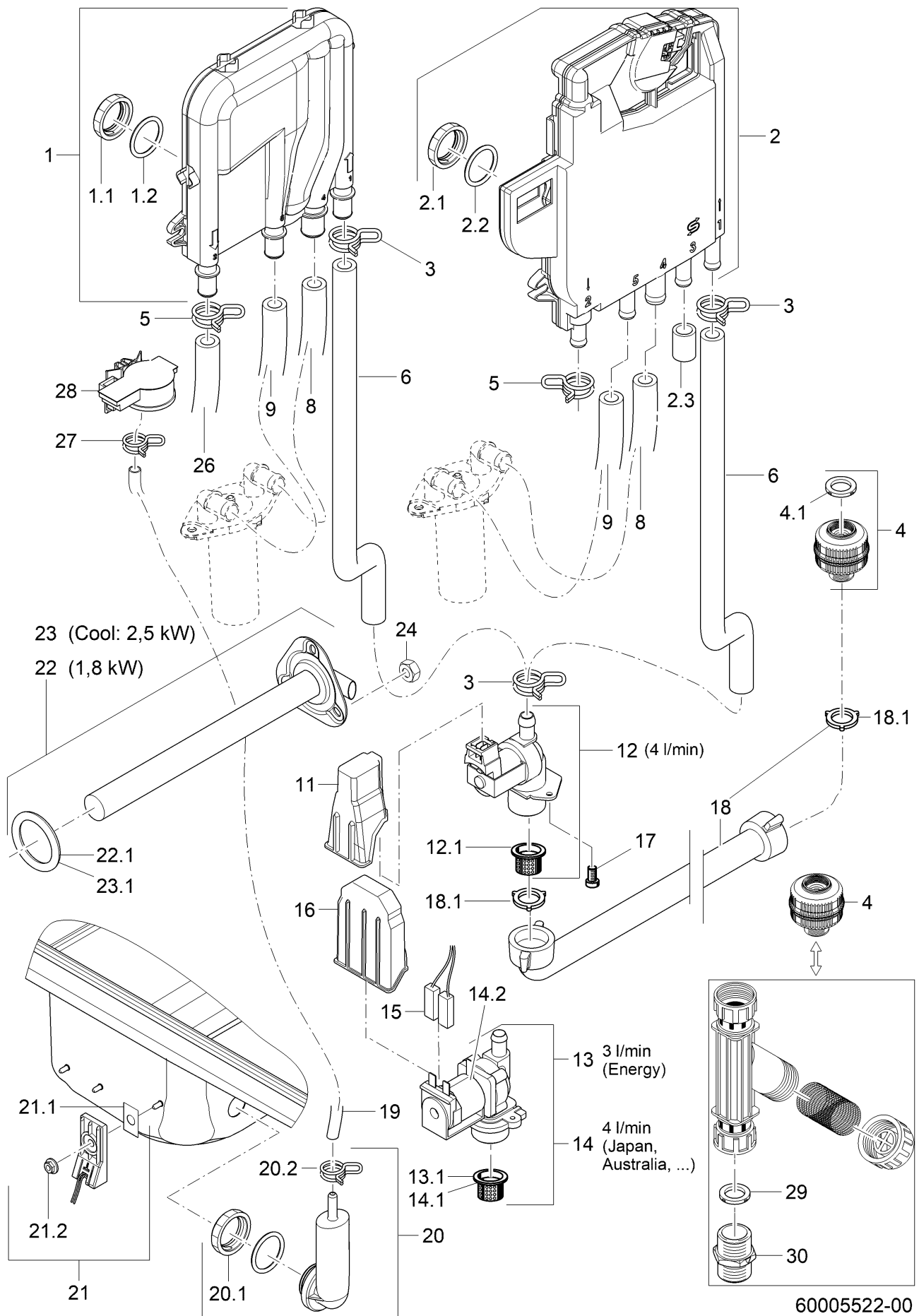




## Contents

	Page
Water supply and tank heating .....	4
Water softener .....	8
Water drain, Mediamat Cyclo .....	10
Wash pump .....	12
Wash + rinse; bottom .....	14
Wash + rinse; top .....	16
Boiler .....	18
Rinse pump .....	20
Dosing .....	22
Base frame .....	24
Panelling I .....	26
Panelling II .....	28
Door .....	30
Energy (Option) .....	32
UC-M Excellence-i(Plus) I .....	34
UC-M Excellence-i(Plus) II .....	36
UC-M Excellence-i(Plus) III .....	38
Electric parts .....	40
Flow diagrams .....	42
Plinth UC .....	44
Accessories .....	46

# Water supply and tank heating



## Water supply and tank heating

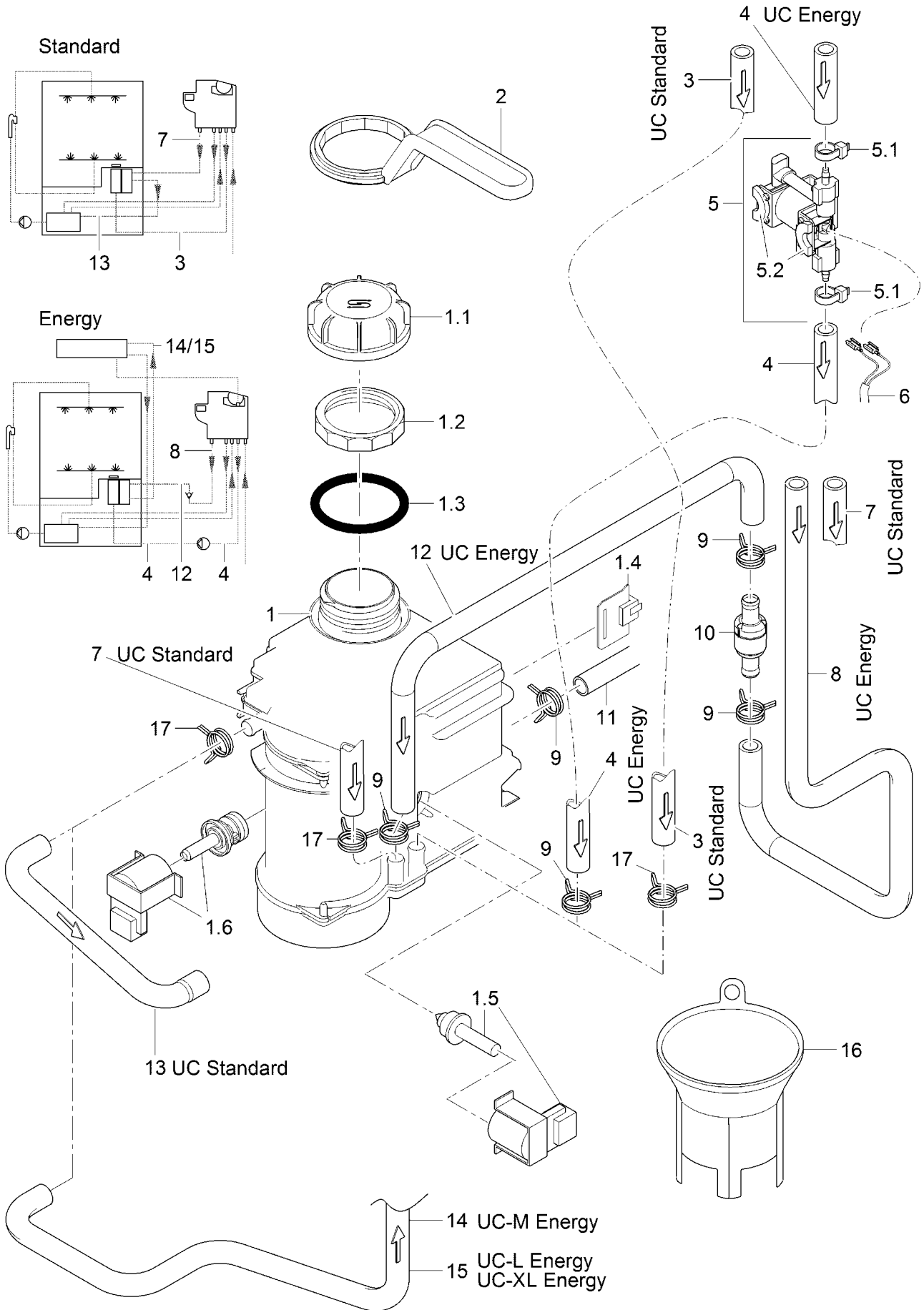
Pos.	Part No.	Description; Dimensions	Quantity; Unit up to ...	from ...	Remarks
1	30000128	KIT BACK FLOW PREVENTER	1 Pc		
1.1	60004612	Nut D26,2 X 8,5; SW32	1 Pc		
1.2	30012629	O-ring 30 X 3	1 Pc		
2	30000127	Kit back flow preventer type "air gap"	1 Pc		
2.1	60004612	Nut D26,2 X 8,5; SW32	1 Pc		
2.2	30012629	O-ring 30 X 3	1 Pc		
2.3	60004630	LOCKING CAP DN10 X 2,0 X 19	1 Pc		
3	2802350	Wire hose clamp D18,2 X 1,9	1 Pc		
4	80004911	Dirt trap D58,8 X 61	1 Pc		
4.1	83001022	Gasket D16 X D24 X 3,0	1 Pc		
5	2802344	WIRE HOSE CLAMP D14,4 X 15,1	1 Pc		
6	30017798	Kit moulded hose universal DN10	1 Pc		cut to size
8	30017811	Kit moulded hose universal DN13	1 Pc		cut to size
9	30017775	Kit moulded hose universal DN10xDN13	1 Pc		cut to size
11	60002712	Cover solenoid valve 31,3 X 33,7 X 63	1 Pc		
12	3106250	Solenoid valve flow restrictor 4l 230-240V 50/60HZ RAST5	1 Pc		
12.1	3106186	SOLENOID VALVE FILTER	1 Pc		
13	3106211	Solenoid valve flow restrictor 3l 200-240V/50-60HZ/+10%; TM65	1 Pc		UC-x Energy
13.1	3106118	Dirt filter	1 Pc		
14	3106251	Solenoid valve flow restrictor 4l 200-240V/50-60HZ/+10%; TM90	1 Pc		Japan; Australia
14.1	3106118	Dirt filter	1 Pc		
14.2	3106153	Coil 200-240V/50-60HZ/+10%	1 Pc		
15	60004141	Adapter cable 0,75QMM	1 Pc		
16	30013383	Kit cap solenoid valve	1 Pc		
17	30000931	Lens head screw M4 X 12; ANTRIEB TORX 20	2 Pc		
18	4002060	WATER SUPPLY HOSE DN13 X 3,5; 2500	1 Pc		
18.1	83001022	Gasket D16 X D24 X 3,0	2 Pc		
19	30013259	Hose DN4,8 X 1,6 X 100000	94 cm		UC-M
19	30013259	Hose DN4,8 X 1,6 X 100000	103 cm		UC-L; UC-XL
20	60003525	Kit air pressure chamber	1 Pc		
20.1	60004612	Nut D26,2 X 8,5; SW32	1 Pc		
20.2	2802348	Wire hose clamp D8,6 X 1	1 Pc		
21	30002179	Kit thermo sensor	1 Pc		
21.1	82000121	Heat conducting foil with hole 0,27 X 32 X 60	1 Pc		
21.2	2101310	Ratchet nut M5	1 Pc		
22	30000122	Kit high power heating cartridge 1.8KW	1 Pc		
22.1	30014176	O-ring 34 X 6,0	1 Pc		
23	30017049	Kit tank heating element	2 Pc		UC-x Cool; Alternatively predecessor 30002495 may be used
23.1	30014176	O-ring 34 X 6,0	1 Pc		
24	2101203	Hexagonal nut M5	3 Pc		
26	60004670	Moulded hose DN10 X DN11 X 2,5	1 Pc		
27	2802348	Wire hose clamp D8,6 X 1	1 Pc		
28	3126044	Pressure transmitter 0-30MBAR;5VDC/0,5-3,5V	1 Pc		
29	83001022	Gasket D16 X D24 X 3,0	1 Pc		



## Water supply and tank heating

Pos.	Part No.	Description; Dimensions	Quantity; Unit up to ...	from ...	Remarks
30	80002167	DOUBLE NIPPLE G 3/4" X 40; SW30	1 Pc		

Water softener



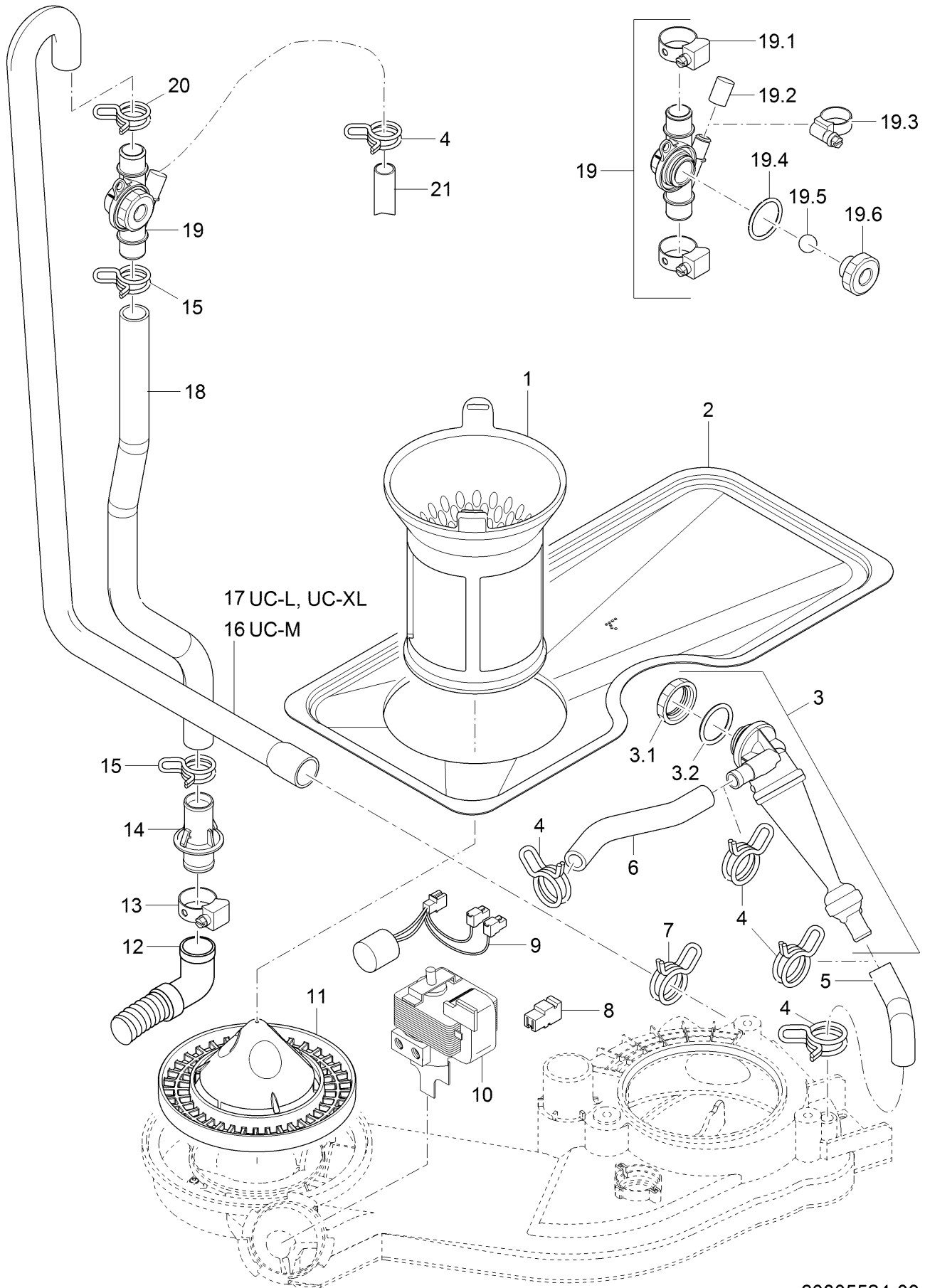
60005523-00



## Water softener

Pos.	Part No.	Description; Dimensions	Quantity; Unit up to ...	from ...	Remarks
1	83000420	Water softener kit 220-240V; 50/60HZ	1 Pc		
1.1	60004894	Screw cap	1 Pc		
1.2	60003001	Lock nut S54 X 4; D56	1 Pc		
1.3	30014791	O-ring 54 X 5,0	1 Pc		
1.4	83000408	Dry reed contact lack of salt	1 Pc		
1.5	83000402	Repair kit Regeneration valve 220-240V, 50/60HZ	1 Pc		
1.6	83000460	Repair kit reversing valve 220-240V,50/60HZ	1 Pc		
2	60003376	Double hex ring spanner SW61,5	1 Pc		
3	4001050	HOSE DN10 X 2,0	80 cm		
4	30002647	Hoses kit	1 Pc		UC-x Energy
5	30002650	Regeneration pump kit	1 Pc		UC-x Energy
5.1	3120175	Cable tie 100 X 2,5	2 Pc		
5.2	60004500	FOAM RUBBER D16 X D36 X 5	1 Pc		
6	60000381	Wire assortment regeneration pump 2 X 0, 5QMM; 1450MM	1 Pc		UC-x Energy
7	4001050	HOSE DN10 X 2,0	65 cm		
8	60005059	Moulded hose DN10 X 2,5	1 Pc		UC-x Energy
9	2802352	WIRE HOSE CLAMP D16,4 X 1,8	5 Pc		
10	60004913	Backflow preventer	1 Pc		UC-x Energy
11	60004711	Moulded hose DN10 X 3,0	1 Pc		
12	60005058	Moulded hose DN10 X 2,5	1 Pc		UC-x Energy
13	60004671	Moulded hose DN10 X DN11 X 2,5	1 Pc		
14	60004683	Moulded hose DN10 X 2,5	1 Pc		UC-M Energy
15	60004672	Moulded hose DN10 X 2,5	1 Pc		UC-L Energy, UC-XL Energy
16	83000501	Filling funnel D155 X 122,6	1 Pc		
17	2802344	WIRE HOSE CLAMP D14,4 X 15,1	3 Pc		

# Water drain, Mediamat Cyclo

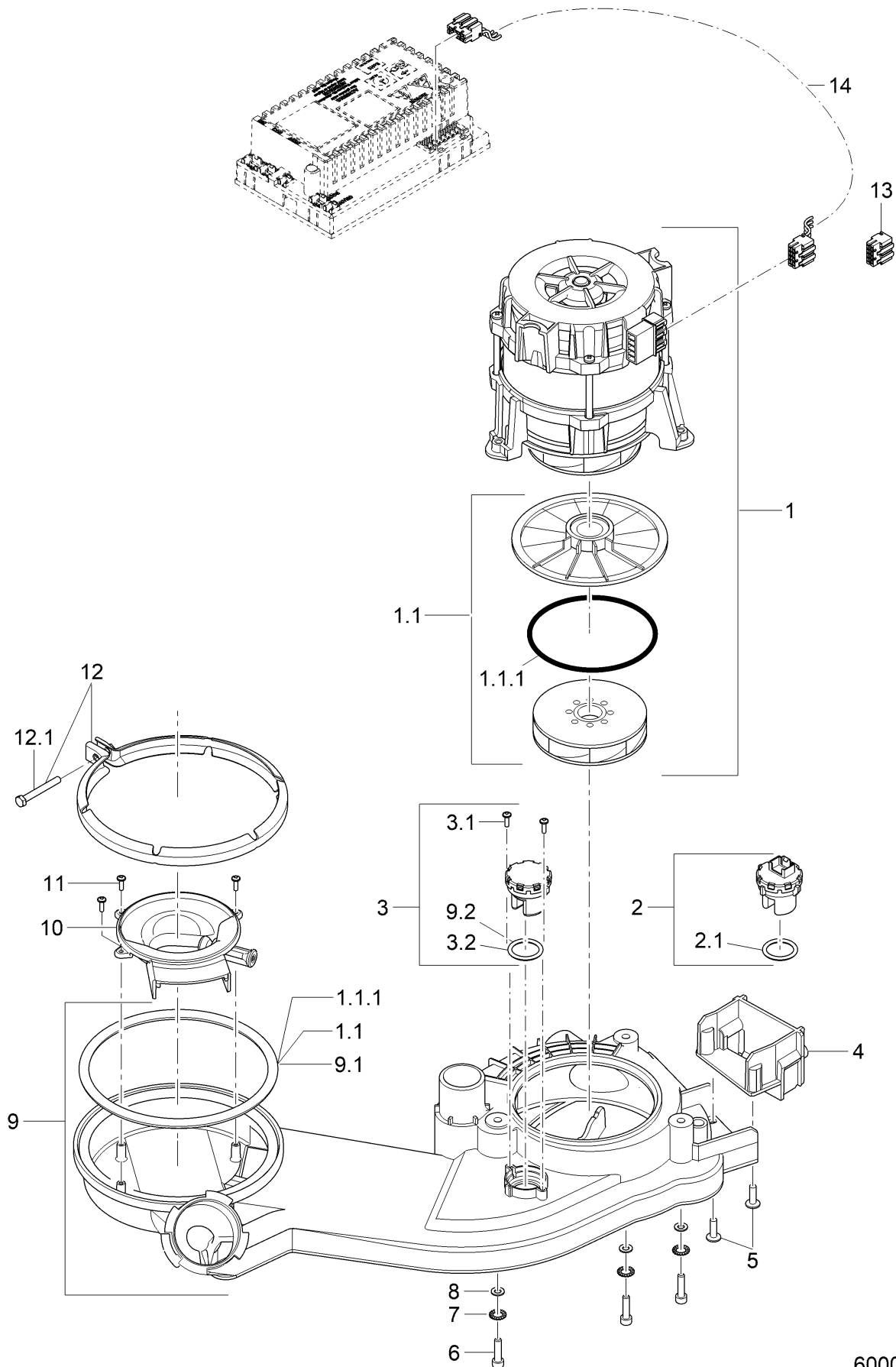


60005524-00

## Water drain, Mediamat Cyclo

Pos.	Part No.	Description; Dimensions	Quantity; Unit up to ...	from ...	Remarks
1	60004463	FILTER CYLINDER	1 Pc		
2	60004357	Flat filter 1,0 X 238 X 540,95	1 Pc		
3	30000113	Kit Mediamat	1 Pc		
3.1	60004612	Nut D26,2 X 8,5; SW32	1 Pc		
3.2	30012629	O-ring 30 X 3	1 Pc		
4	2802353	WIRE HOSE CLAMP D17,3 X 1,8	4 Pc		
5	60003165	Shaped hose DN12,5 X 2,0	1 Pc		
6	60004628	Hose DN10,5 X 3,0; 139	1 Pc		
7	30000212	Wire hose clamp D30 X 2,8	1 Pc		
8	3112091	Macro-module plug5, 2-pole 250V; 10A; 2,5MM <sup>2</sup>	1 Pc		
9	60004356	RC element	1 Pc		
10	30012591	Drain pump 220-240V/50HZ	1 Pc		
10	3102493	Drain pump 200V/50HZ;220-240V/60H	1 Pc		
10	3102495	Drain pump 200V/60HZ	1 Pc		
11	60004466	FILTER BOTTOM D139 X 63,5	1 Pc		
12	60003759	Drain hose 2000 LG	1 Pc		
13	2802109	Hose clamp D20-30 X 12	1 Pc		
14	60004609	Double nipple D23,8 X 55; D20,8	1 Pc		
15	2802358	WIRE HOSE CLAMP D24,2 X 2,2	2 Pc		
16	60003281	Shaped hose DN18 X DN22 X 3,0; 814	1 Pc		UC-M
17	30017778	Kit moulded hose universal DN18xDN22	1 Pc		UC-L, UC-XL; cut to size
18	30017778	Kit moulded hose universal DN18xDN22	1 Pc		cut to size
19	30013404	Kit deaeration	1 Pc		
19.1	2802109	Hose clamp D20-30 X 12	2 Pc		
19.2	60004630	LOCKING CAP DN10 X 2,0 X 19	1 Pc		
19.3	2802307	Hose clamp D10-16 X 9	1 Pc		
19.4	30012629	O-ring 30 X 3	1 Pc		
19.5	2801508	BALL D14	1 Pc		
19.6	61006936	Nut	1 Pc		
20	2802360	Wire hose clamp D26,8 X 2,5	1 Pc		
21	60004711	Moulded hose DN10 X 3,0	1 Pc		from built-in water softener

# Wash pump

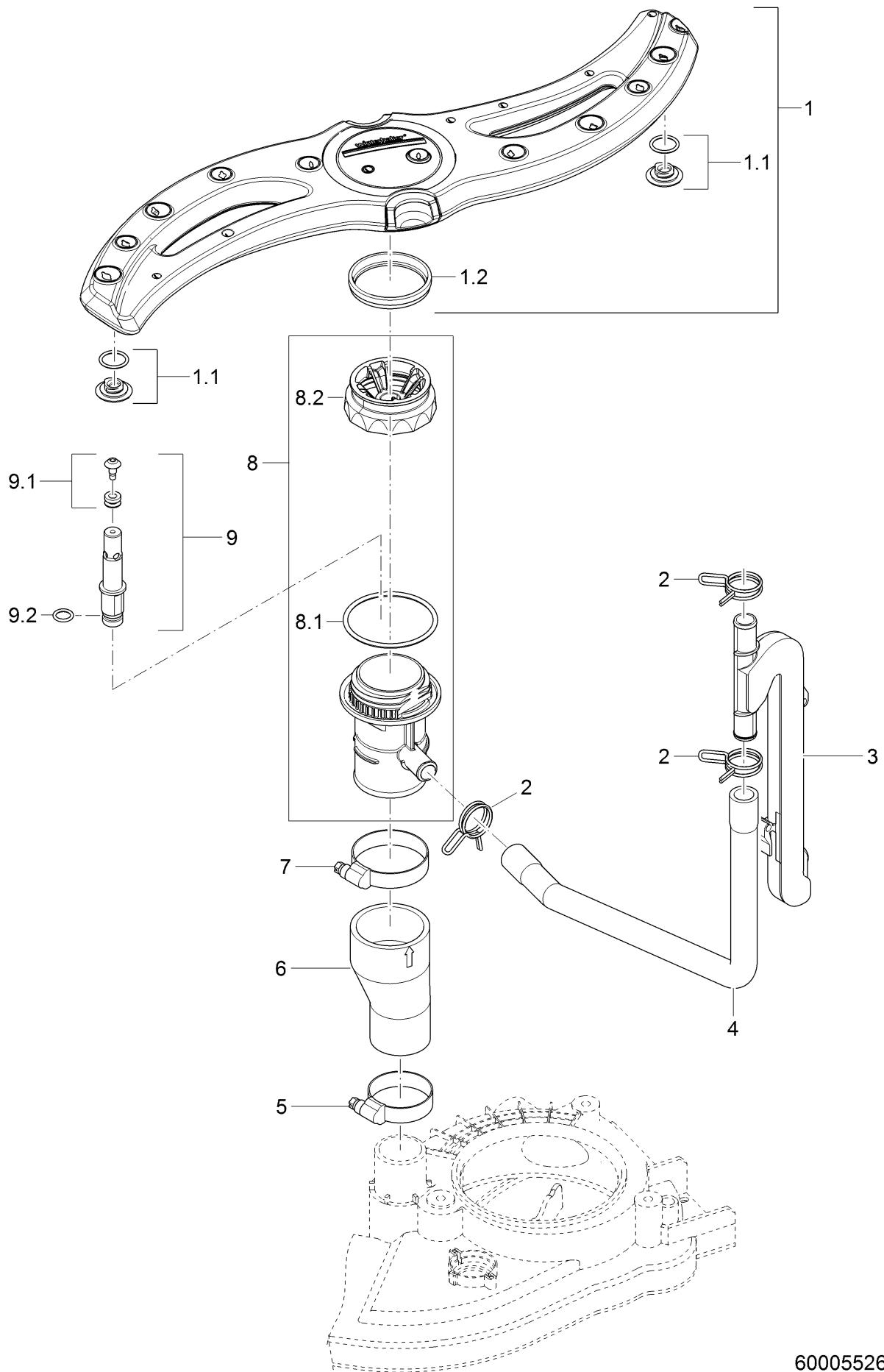


60005708-00

## Wash pump

Pos.	Part No.	Description; Dimensions	Quantity; Unit up to ...	from ...	Remarks
1	30000167	KIT CIRCULATING PUMP	1 Pc		
1.1	60003592	Impeller with sealings kit D92	1 Pc		
1.1.1	60003591	Sealing for pump system kit	1 Pc		
2	30000168	Kit diffusion sensor	1 Pc	3164030	
2.1	30014177	O-ring 21 X 3,0	1 Pc		
3	30002517	Blind plug	1 Pc	3164031	
3.1	30002832	PT screw KB30 X 10;	2 Pc		
3.2	30014177	O-ring 21 X 3,0	1 Pc		
4	60004710	Adapter bracket	1 Pc		
5	30000683	PT Screw KB 50 X 14	2 Pc		
6	2009337	Cylinder head screw M5 X 20; 8,8	3 Pc		
7	2202316	Serrated lock washer A-5,3	3 Pc		
8	2201300	Washer D5,3 X D10 X 1,0	3 Pc		
9	30000169	Kit COLLECTOR	1 Pc		
9.1	60003591	Sealing for pump system kit	1 Pc		
9.2	30014177	O-ring 21 X 3,0	1 Pc		
10	60004467	SUCTION CHANNEL	1 Pc		
11	30002832	PT screw KB30 X 10;	3 Pc		
12	62003437	Pump clip	1 Pc		
12.1	2001329	HEXAGON SCREW M5 X 40; A70	1 Pc		
13	30000548	Macro-module plug 5, 5-pole 250V; 10A; 2,5MM <sup>2</sup> 1 Pc			
14	60003037	Cable, Motor-frequency inverter	1 Pc		

Wash + rinse; bottom

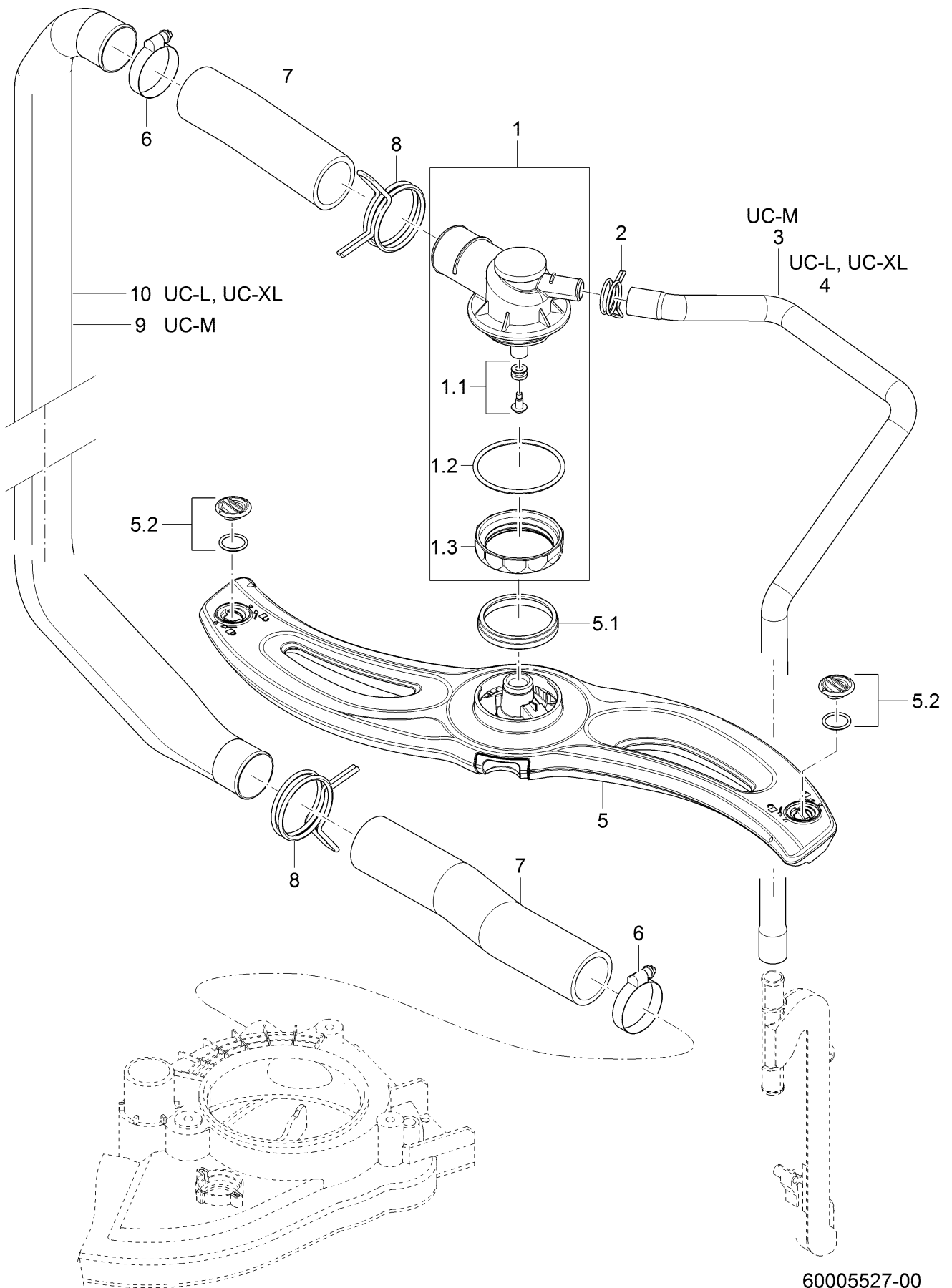


60005526-00

## Wash + rinse; bottom

Pos.	Part No.	Description; Dimensions	Quantity; Unit up to ...	from ...	Remarks
1	60002988	Wash field Size M (non-driven rinse system) D518,6 X 50,7	1 Pc		
1.1	60002979	Plug	1 Pc		
1.2	60002961	Seal ring D56,3 X 8,5	1 Pc		
2	2802355	WIRE HOSE CLAMP D21,2 X 2	3 Pc		
3	60004611	Rinse manifold	1 Pc		
4	30017729	Kit moulded hose universal DN13,5	1 Pc		cut to size
5	30002613	Hose clamp 32 - 50MM / 12MM	1 Pc		
6	60004591	Reducing hose DN33 X DN46; 97	1 Pc		
7	30001243	Hose clamp D50-70 x 12	1 Pc		
8	30013992	Kit water inlet bottom	1 Pc		
8.1	61007112	O-ring D60 X 3	1 Pc		
8.2	60002945	Lock nut bottom S54 X 4; SW60,7	1 Pc		
9	60002991	Axis complete	1 Pc		
9.1	30014194	Kit Bushing	1 Pc		
9.2	2707080	O-ring 10 X 2,0	1 Pc		

Wash + rinse; top



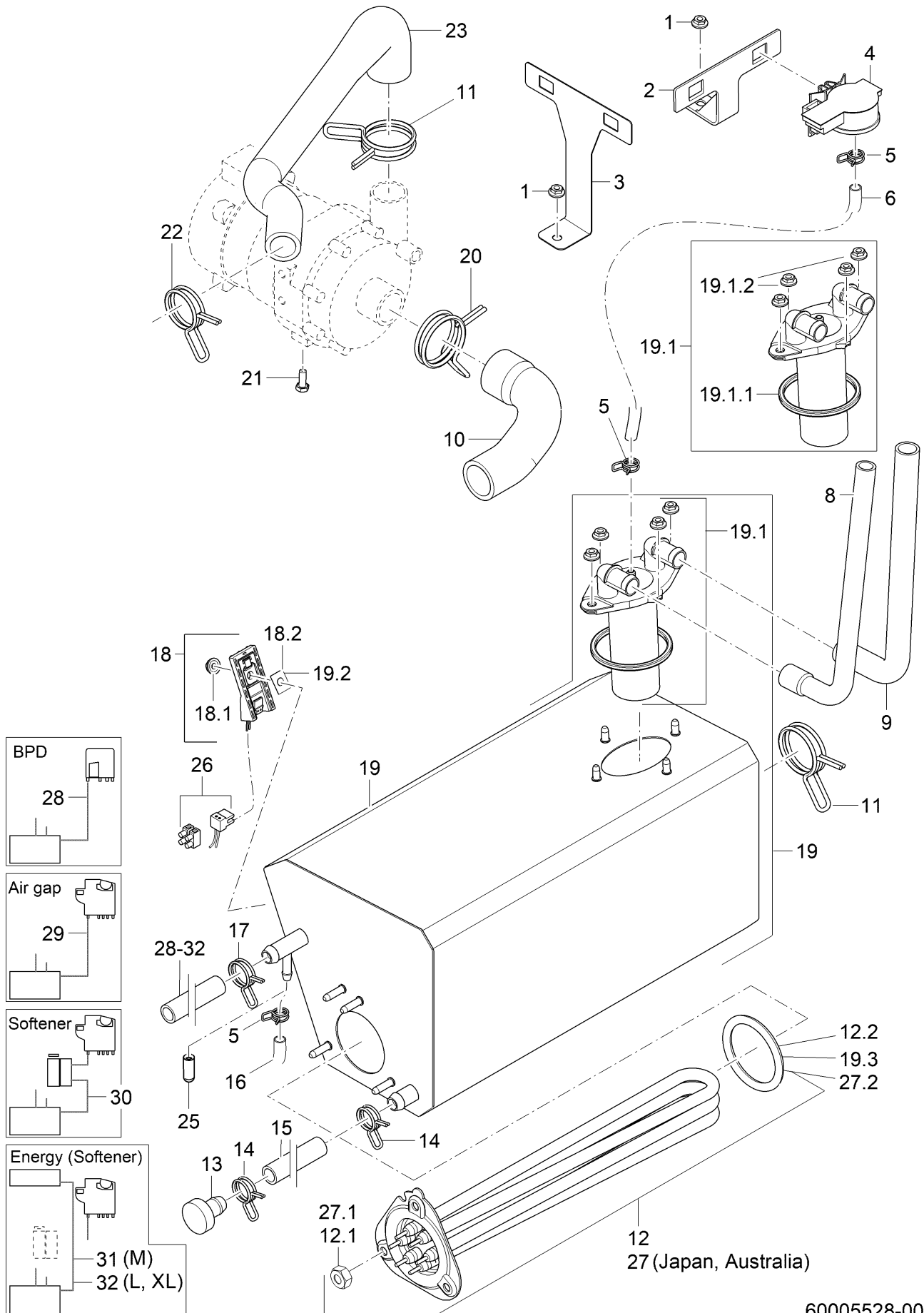
60005527-00



## Wash + rinse; top

Pos.	Part No.	Description; Dimensions	Quantity; Unit up to ...	from ...	Remarks
1	30013991	Water inlet top	1 Pc		
1.1	30014194	Kit Bushing	1 Pc		
1.2	61007112	O-ring D60 X 3	1 Pc		
1.3	60002972	Lock nut top S54 X 4; SW60,7	1 Pc		
2	2802355	WIRE HOSE CLAMP D21,2 X 2	1 Pc		
3	30017729	Kit moulded hose universal DN13,5	1 Pc		UC-M; cut to size
4	30017729	Kit moulded hose universal DN13,5	1 Pc		UC-L, UC-XL; cut to size
5	60002988	Wash field Size M (non-driven rinse system) D518,6 X 50,7	1 Pc		
5.1	60002961	Seal ring D56,3 X 8,5	1 Pc		
5.2	60002979	Plug	1 Pc		
6	30002613	Hose clamp 32 - 50MM / 12MM	2 Pc		
7	60004843	Hose DN33 X 4,0; 225	1 Pc		cut to size
8	2802367	Wire hose clamp D44,4 X 3,2	1 Pc		
9	60005233	Riser (M)	1 Pc		UC-M
10	60005232	Riser (L)	1 Pc		UC-L; UC-XL

# Boiler

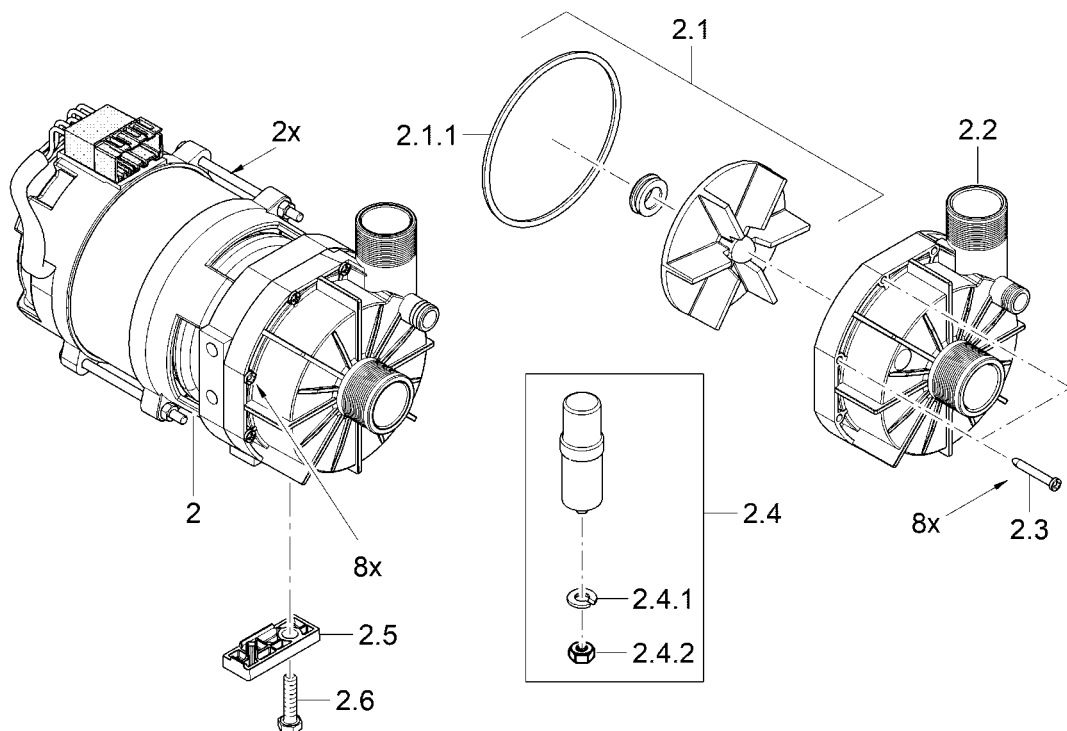
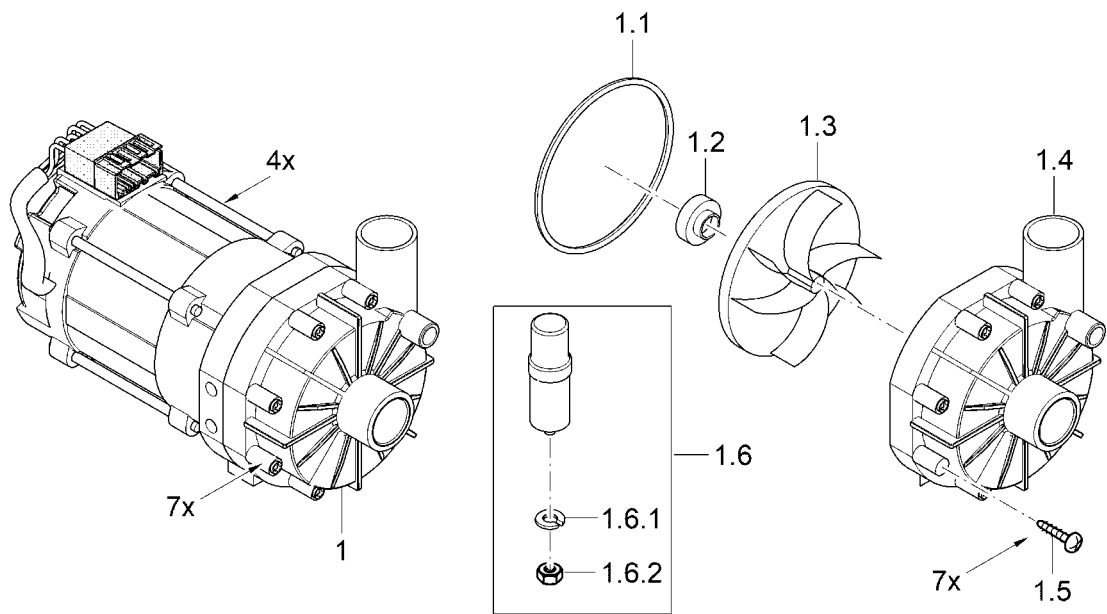


60005528-00

## Boiler

Pos.	Part No.	Description; Dimensions	Quantity; Unit up to ...	from ...	Remarks
1	2101310	Ratchet nut M5	1 Pc		
2	60004493	Retainer 53,62 X 104	1 Pc		
3	60004377	Bracket 0,8 X 105 X 144,35	1 Pc		UC-x Energy
4	3126044	Pressure transmitter 0-30MBAR;5VDC/0,5-3,5V	1 Pc		
5	2802348	Wire hose clamp D8,6 X 1	2 Pc		
6	30013259	Hose DN4,8 X 1,6 X 100000	82 cm		
8	30017775	Kit moulded hose universal DN10xDN13	1 Pc		cut to size
9	30017811	Kit moulded hose universal DN13	1 Pc		cut to size
10	60004573	Moulded hose DN22 X DN25 X 3,5	1 Pc		
11	2802362	WIRE HOSE CLAMP D32,7 X 2,8	1 Pc		
12	30000125	Kit heating element, boiler 4,9 kW with fuse	1 Pc		
12.1	2101203	Hexagonal nut M5	3 Pc		
12.2	60004271	O-ring 46 X 6,0	1 Pc		
13	70007962	Tube plug D24 X D13,1 X 27	1 Pc		
14	2802344	WIRE HOSE CLAMP D14,4 X 15,1	2 Pc		
15	30000863	HOSE DN10 X 2,0	22,5 cm		
16	4001027	HOSE BLUE DN5 X 1,5	51 cm		
17	2802353	WIRE HOSE CLAMP D17,3 X 1,8	1 Pc		
18	30002179	Kit thermo sensor	1 Pc		
18.1	2101310	Ratchet nut M5	1 Pc		
18.2	82000121	Heat conducting foil with hole 0,27 X 32 X 60	1 Pc		
19	30000119	Kit boiler	1 Pc		
19.1	30000116	Kit air chamber, boiler	1 Pc		
19.1.1	30000134	FOUR LIP GASKET D50,39 X 3,53	1 Pc		
19.1.2	2101310	Ratchet nut M5	4 Pc		
19.2	82000121	Heat conducting foil with hole 0,27 X 32 X 60	1 Pc		
19.3	60004271	O-ring 46 X 6,0	1 Pc		
20	2802364	WIRE HOSE CLAMP D35 X 3	1 Pc		
21	2001363	HEXAGON SCREW M6 X 20; A70	1 Pc		
22	2802360	Wire hose clamp D26,8 X 2,5	1 Pc		
23	60004632	Moulded hose DN18 X DN24 X 3,5	1 Pc		
25	3506180	End cap D5,7 X 25,4	1 Pc		
26	30000197	KIT MACRO-MODULE PLUG SIZE 2,5 2-POLE	1 Pc		
27	30000124	Kit heating element boiler 6,45 kW with fuse	1 Pc		Japan; Australia
27.1	2101203	Hexagonal nut M5	3 Pc		
27.2	60004271	O-ring 46 X 6,0	1 Pc		
28	60004670	Moulded hose DN10 X DN11 X 2,5	1 Pc		
29	60004670	Moulded hose DN10 X DN11 X 2,5	1 Pc		
30	60004671	Moulded hose DN10 X DN11 X 2,5	1 Pc		
31	60004681	Moulded hose DN13 X 2,5	1 Pc		UC-M
32	60004668	Moulded hose DN13 X 2,5	1 Pc		UC-L; UC-XL

# Rinse pump

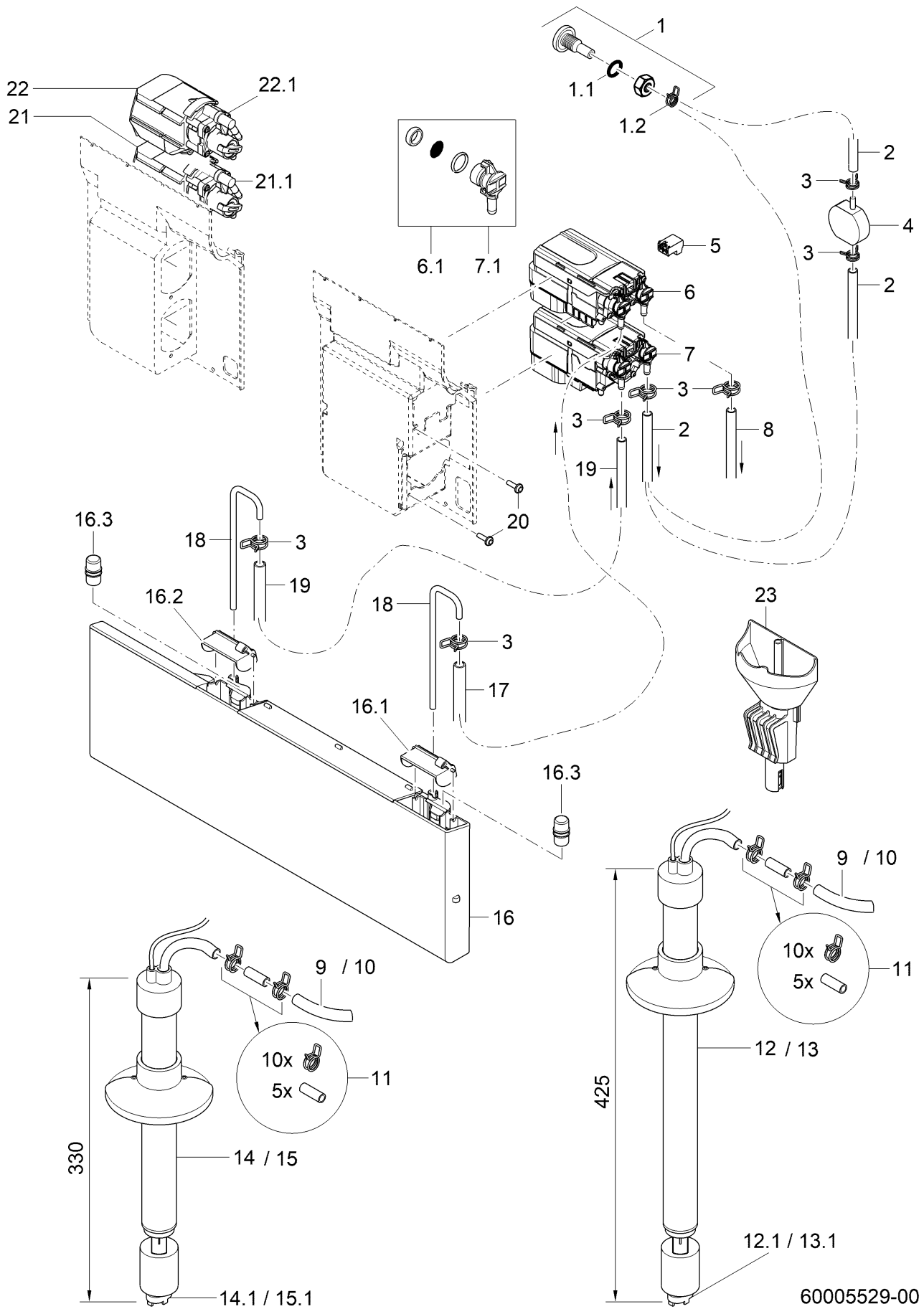


60005687-00

## Rinse pump

Pos.	Part No.	Description; Dimensions	Quantity; Unit up to ...	from ...	Remarks
1	3102561	PUMP 0,20KW 2/1; 1/1 200-240V/1/50-60HZ	1 Pc	3155165	replaced by 30012255
1.1	4004023	CORD D=78 X 3; SHOR 50-55;	1 Pc		
1.2	3102467	Sliding ring gasket FÜR UP60	1 Pc		
1.3	3102466	PUMP IMPELLER WITH COUNTER RING UP60/UP30 - 50HZ	1 Pc		
1.4	3102519	PUMP HOUSING D=80,5MM	1 Pc		
1.5	3101118	SCREW FOR PUMP HOUSING D4X35 PT	7 Pc		
1.6	3113171	CAPACITOR 4 MIKRO F / 400V	1 Pc		for Pump 0,14 kW
1.6	30015494	Kit Capacitor 5 MIKRO F	1 Pc		for Pump 0,2 kW
1.6.1	2303301	Spring washer B8	1 Pc		
1.6.2	2101305	HEXAGONAL NUT M8	1 Pc		
2	30012255	Pump 0,17/0,23 kW 2/2 - plug 5 200-240V/50-60HZ	1 Pc	3155166	
2.1	84000220	Repair kit	1 Pc		
2.1.1	84000217	O-ring D75 X 3	1 Pc		
2.2	84000213	Pump housing 55,5 X 92 X 92	1 Pc		
2.3	30015363	PT screw KB 50 X 25	8 Pc		
2.4	30015494	Kit Capacitor 5 MIKRO F	1 Pc		for Pump 0.16 kW
2.4	30012013	Kit Capacitor 6,3 YF 425V/CLASS B P2	1 Pc		for Pump 0.17 kW
2.4.1	2303301	Spring washer B8	1 Pc		
2.4.2	2101305	HEXAGONAL NUT M8	1 Pc		
2.5	60004305	Spacer 13 X 17,43 X 47,23	1 Pc		
2.6	2001310	Hexagon screw M6 X 25; A70	1 Pc		

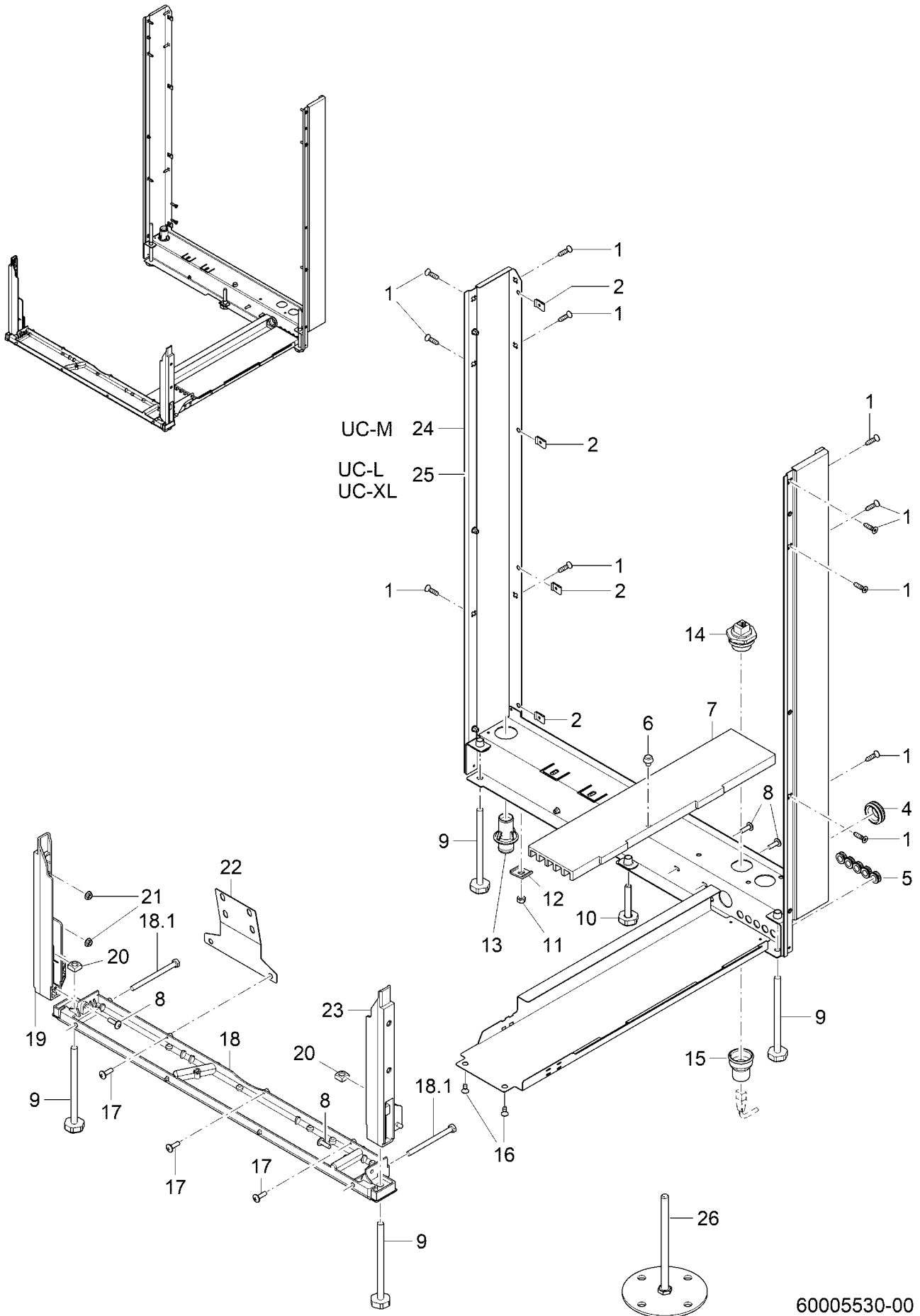
# Dosing



## Dosing

Pos.	Part No.	Description; Dimensions	Quantity; Unit up to ...	from ...	Remarks
1	61005883	DOSING NIPPLE SET M10 X 29; SW5	1 Pc		
1.1	30000723	O-ring 10 X 2,5	1 Pc		
1.2	2802348	Wire hose clamp D8,6 X 1	1 Pc		
2	4001024	Hose DN5 X 1,5	37 cm		
3	2802348	Wire hose clamp D8,6 X 1	1 Pc		
4	30017532	Flow sensor	1 Pc		NSF version
5	3112094	Macro-module plug5, 4-pole 250V; 10A; 2,5MM <sup>2</sup>	2 Pc		
6	30017054	Kit MPI RA "Rinse Aid"	1 Pc	3159812	
6.1	30017010	Connection nipple	1 Pc		
7	30017053	KIT MPI DT "Detergent"	1 Pc	3159812	
7.1	30017010	Connection nipple	1 Pc		
8	4001027	HOSE BLUE DN5 X 1,5	51 cm		
9	4001024	Hose DN5 X 1,5	100 cm		
10	4001027	HOSE BLUE DN5 X 1,5	100 cm		
11	30000012	Kit connecting piece for chemical hose (5 pcs.)	1 Pc		
12	30000010	Kit suction tube 425mm for detergent	1 Pc		
12.1	30017960	Filter insert 30 mm	1 Pc		from 02/2020
13	4001024	Hose DN5 X 1,5	27 cm		
13.1	30017960	Filter insert 30 mm	1 Pc		from 02/2020
14	30014370	Kit suction tube 330mm for detergent	1 Pc		
14.1	30017960	Filter insert 30 mm	1 Pc		from 02/2020
15	30014371	Kit suction tube 330mm for rinse aid	1 Pc		
15.1	30017960	Filter insert 30 mm	1 Pc		from 02/2020
16	30000117	Kit chemical container big	1 Pc		
16.1	60004540	FLAP BLUE 30,2 X 32,8 X 59,8	1 Pc		
16.2	60004541	FLAP WHITE 30,2 X 32,8 X 59,8	1 Pc		
16.3	30000331	Float kit	2 Pc		
17	4001027	HOSE BLUE DN5 X 1,5	57 cm		
18	60004729	SUCTION TUBE D6 X 1,0 X 209	2 Pc		
19	4001024	Hose DN5 X 1,5	27 cm		
20	30002832	PT screw KB30 X 10;	2 Pc		
21	3102597	Detergent pump Fluidos DT 115-240V/50-60HZ	1 Pc	3159811	
21.1	3102599	Head Fluidos DT "Detergent"	1 Pc		
22	3102598	Rinse aid pump Fluidos DB 115-240V/50-60HZ	1 Pc	3159811	
22.1	3102600	Head Fluidos DB "Rinse Aid"	1 Pc		
23	60005163	Filling funnel	1 Pc		

# Base frame



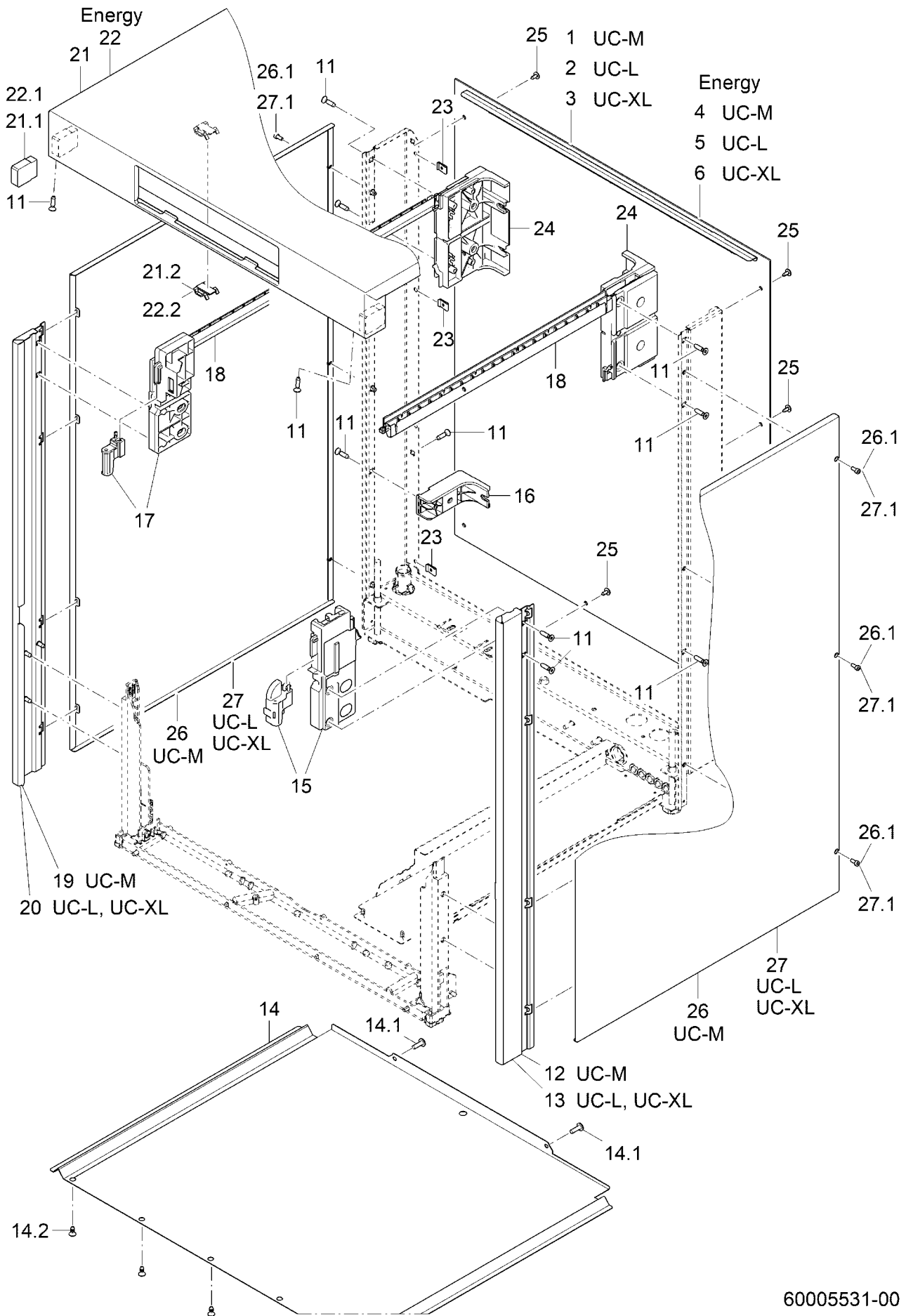
60005530-00



## Base frame

Pos.	Part No.	Description; Dimensions	Quantity; Unit up to ...	from ...	Remarks
1	30000382	PT screw KB 50 X 20	12 Pc		
2	2117301	SHEET METAL NUT B 3,9	8 Pc		
4	61006576	Sleeve 9,0 X D36; D20	1 Pc		
5	61004890	HOSE NOZZLE 6,25 X D15; D8,5	5 Pc		
6	4006023	Buffer D8 X 14	1 Pc		
7	60004610	INSERT 15,5 X 88 X 380	1 Pc		
8	30000683	PT Screw KB 50 X 14	4 Pc		
9	60004274	Adjustable foot M8 X 129; SW24	4 Pc		
10	62003652	Adjustable foot M8 X 59; SW24	1 Pc		
11	2105304	Hexagonal nut self securing M6	1 Pc		
12	60005688	CLAMP STRAP 3,15 X 14 X 19,7	1 Pc		
13	60004609	Double nipple D23,8 X 55; D20,8	1 Pc		
14	30012754	Ethernet female socket RJ45-RJ45 IP65; -40°C-80°C	1 Pc		
15	60004306	Sleeve outer D4,8 X D33,5 X 35,7	1 Pc		
16	30000874	PT screw KB 50 X 12 MIT TORX 20	2 Pc		
17	30002832	PT screw KB30 X 10;	3 Pc		
18	60005127	Transverse girder	1 Pc		
18.1	2001206	Hexagon screw M5 X 65	2 Pc		
19	60004530	FOOT LEFT	1 Pc		
20	2108002	Square nut M8	2 Pc		
21	2101310	Ratchet nut M5	4 Pc		
22	60002783	Reinforcing plate 1,0 X 108 X 135	1 Pc		
23	60004531	FOOT RIGHT	1 Pc		
24	30014535	Kit base frame M	1 Pc		UC-M
25	30014536	Kit base frame L/XL	1 Pc		UC-L; UC-XL
26	80002863	Fixing foot D90; M8 X 127,5	4 Pc		Additional equipment

# Panelling I

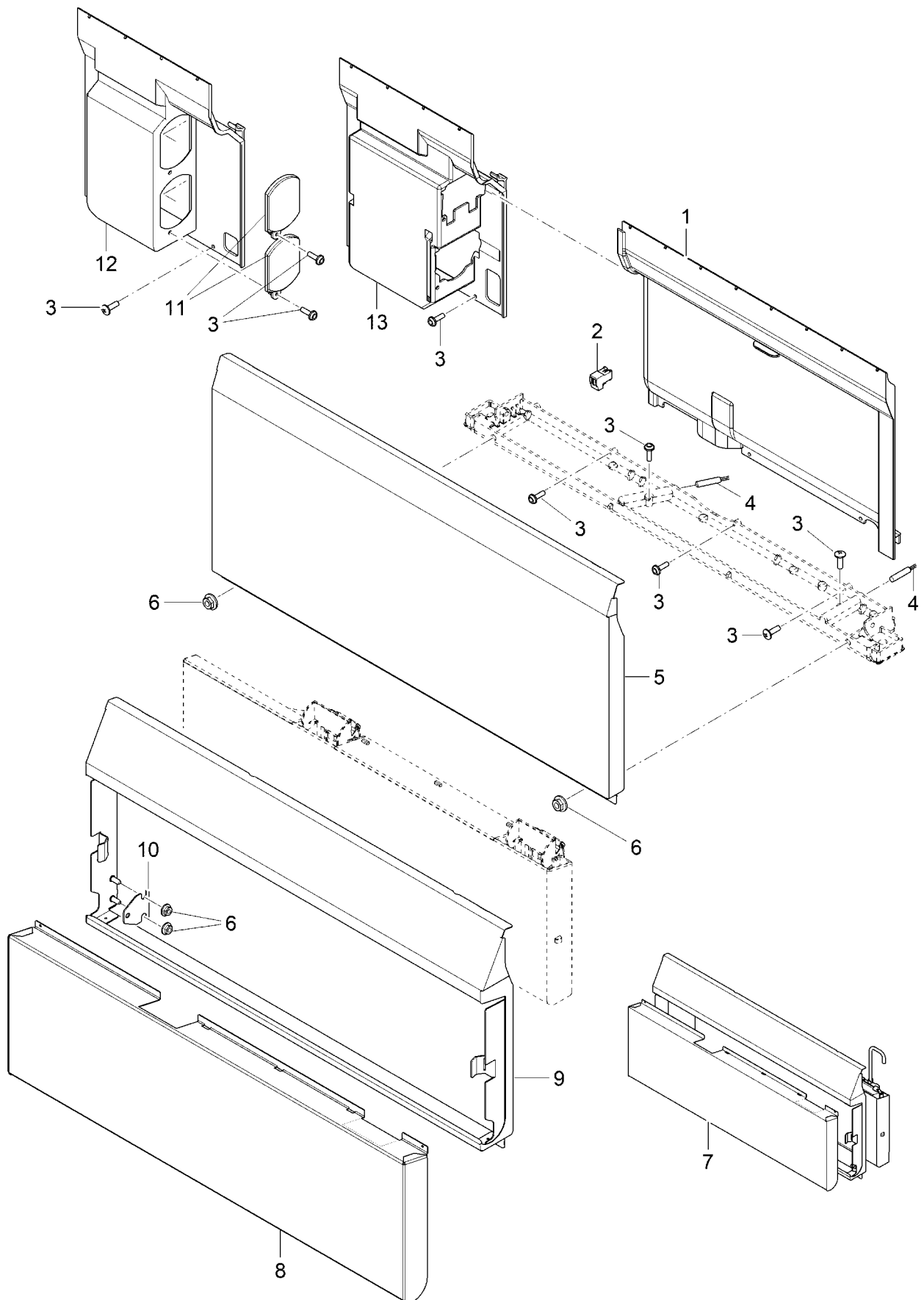


60005531-00

## Panelling I

Pos.	Part No.	Description; Dimensions	Quantity; Unit up to ...	from ...	Remarks
1	62003846	Back panel	1 Pc		UC-M; Stainless steel
1	62003931	Back panel	1 Pc		UC-M; Plastic
2	60004461	Back panel	1 Pc		UC-L; Stainless steel
2	60004852	Back panel	1 Pc		UC-L; Plastic
3	60004922	Back panel	1 Pc		UC-XL; Stainless steel
4	62003856	Back panel	1 Pc		UC-M Energy; Stainless steel
4	62003961	Back panel	1 Pc		UC-M Energy; Plastic
5	60004714	Back panel	1 Pc		UC-L Energy; Stainless steel
5	60004855	Back panel	1 Pc		UC-L Energy; Plastic
6	60004925	Back panel	1 Pc		UC-XL Energy; Stainless steel
11	30000382	PT screw KB 50 X 20	10 Pc		
12	62003717	FOOT REST FRONT RIGHT	1 Pc		UC-M
13	60004593	FOOT REST FRONT RIGHT	1 Pc		UC-L; UC-XL
14	30000257	Kit floor panel M; L; XL	1 Pc		
14.1	30011585	Lens head screw M4 X 8	2 Pc		
14.2	30000874	PT screw KB 50 X 12 MIT TORX 20	5 Pc		
15	60002195	Support corner, right	1 Pc		
16	60005108	Support corner rear	2 Pc		
17	60002194	Support corner, left	1 Pc		
18	60004526	Guide profile 439,5 LG	2 Pc		
19	62003716	FOOT REST FRONT LEFT	1 Pc		UC-M
20	60004592	FOOT REST FRONT LEFT	1 Pc		UC-L; UC-XL
21	30014145	Cover plate	1 Pc		
21.1	60002202	PE foam 12 X 29 X 35,28	2 Pc		
21.2	30013357	Fastening basic 26 X 23 X 6,5MM	1 Pc		
22	30014144	Cover plate	1 Pc		UC-x Energy
22.1	60002202	PE foam 12 X 29 X 35,28	2 Pc		
22.2	30013357	Fastening basic 26 X 23 X 6,5MM	1 Pc		
23	2117301	SHEET METAL NUT B 3,9	8 Pc		
24	60004525	Support corner rear 60 X 89 X 149,5	2 Pc		
25	30011208	Sheet metal screw ST 3,9 X 11	8 Pc		
26	30000258	Kit side panelling S; M	2 Pc		UC-M
26.1	30001904	Cylinder head screw M4 X 9,5; TORX 20	3 Pc		
27	30000255	Kit side panelling L; XL	2 Pc		UC-L; UC-XL
27.1	30001904	Cylinder head screw M4 X 9,5; TORX 20	3 Pc		

# Panelling II

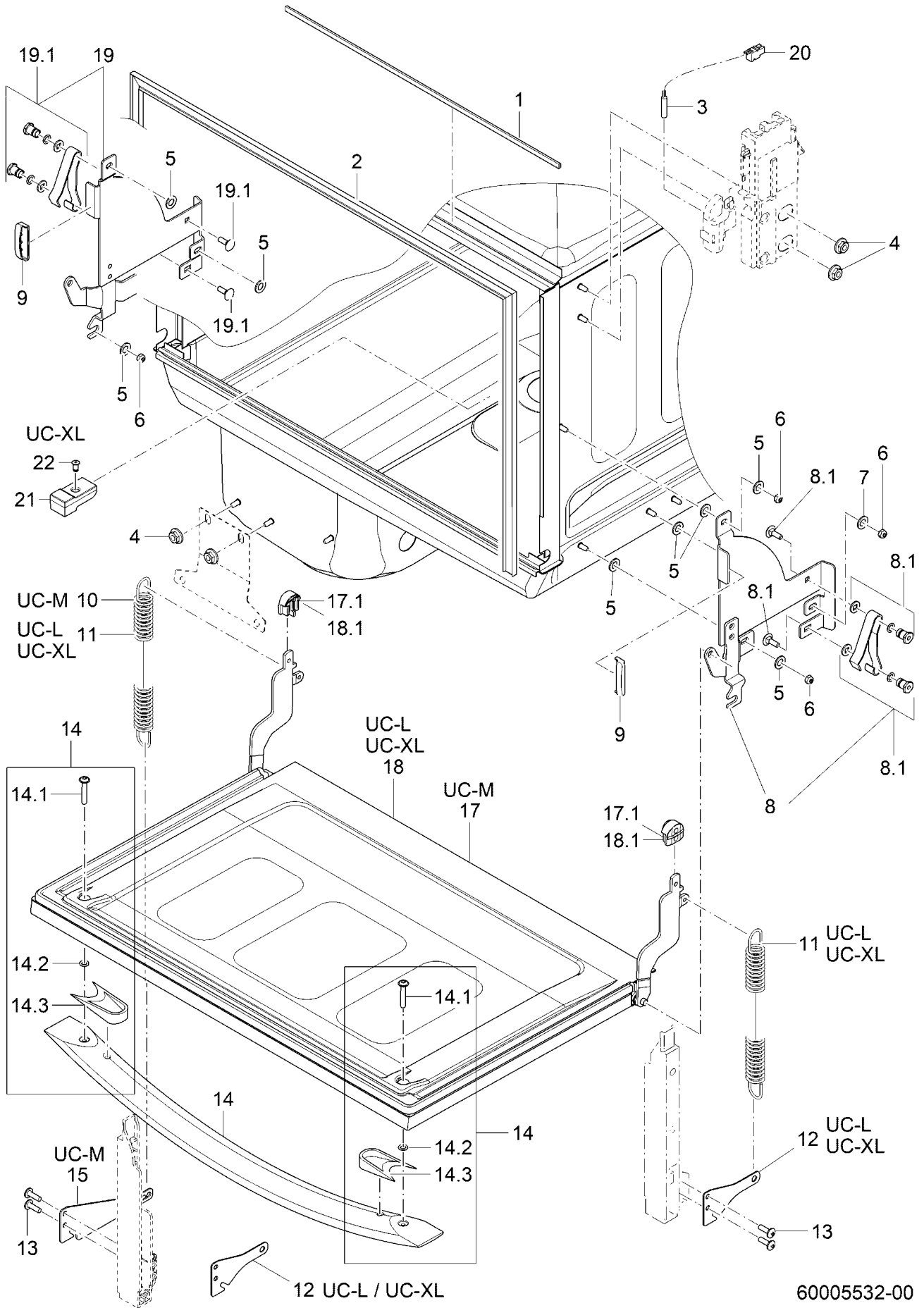


60005703-00

## Panelling II

Pos.	Part No.	Description; Dimensions	Quantity; Unit up to ...	from ...	Remarks
1	60004534	SEPARATING PLATE RIGHT	1 Pc		
2	3112091	Macro-module plug5, 2-pole 250V; 10A; 2,5MM <sup>2</sup>	1 Pc		
3	30002832	PT screw KB30 X 10;	1 Pc		
4	30000364	KIT MAGNET SWITCH 25,5 X D5,8	1 Pc		
5	30000256	Kit service flap 15 M; L; XL	1 Pc		without detergent, freshwater rinse dispenser
6	2101310	Ratchet nut M5	2 Pc		
7	30000287	Chemical tank retrofit kit	1 Pc		
8	60004814	Housing panel	1 Pc		
9	60004659	SERVICE FLAP 35	1 Pc		
10	30000285	Retainer 1,25 X 35 X 36	2 Pc		
11	60004588	Cover	2 Pc	3159811	Fluidos
12	60004533	SEPARATING PLATE LEFT	1 Pc	3159811	Fluidos
13	60003789	Separating plate, left 61,5 X 191,9 X 251,7	1 Pc	3159812	

Door

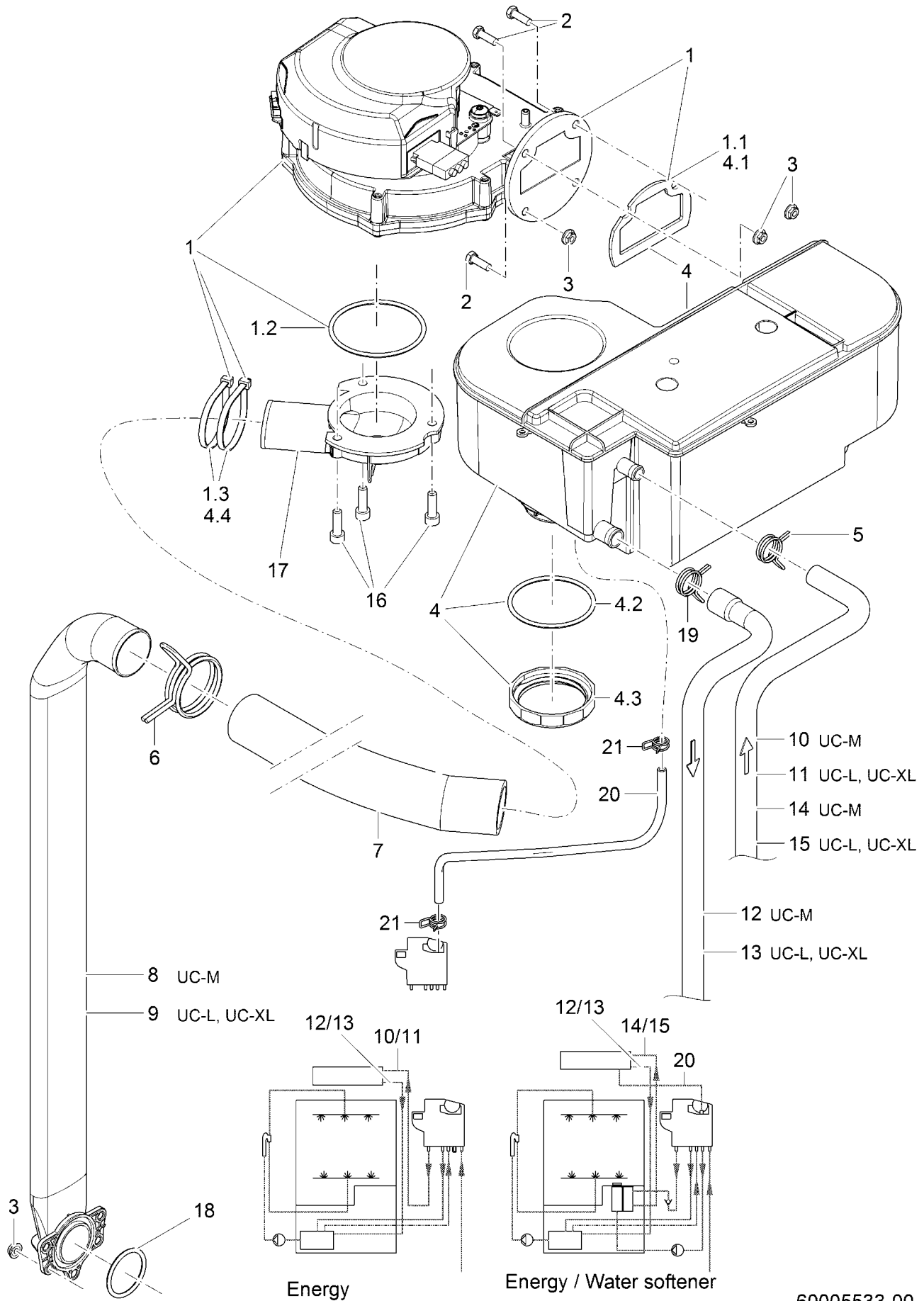


60005532-00

## Door

Pos.	Part No.	Description; Dimensions	Quantity; Unit up to ...	from ...	Remarks
1	30012784	Sealing tape BREITE 10 MM; DICKE 4 MM	57 cm		
2	30000319	Kit door seal	1 Pc		
3	30000364	KIT MAGNET SWITCH 25,5 X D5,8	1 Pc		
4	2101310	Ratchet nut M5	6 Pc		
5	2205301	WASHER D5,3 X D15 X 1,2	10 Pc		
6	2105302	HEXAGONAL NUT M5	6 Pc		
7	2202313	Washer D5,3 X D12 X 0,8	2 Pc		
8	60004339	Basic panel, right	1 Pc		
8.1	60003998	Leaf spring repair kit 12MM	1 Pc		
9	60004950	Buffer 7,9 X 14 X 44,2	2 Pc		
10	60005139	Tension spring L0=165;L1=207;L2=350,6; LN=380,8	1 Pc		UC-M
11	60005139	Tension spring L0=165;L1=207;L2=350,6; LN=380,8	2 Pc		UC-L; UC-XL
12	30000651	SPRING HOLDER	2 Pc		UC-L; UC-XL
13	30000683	PT Screw KB 50 X 14	4 Pc		
14	30000129	Kit door handle	1 Pc		
14.1	30013823	Lens head screw with Tuflok and Nyseal M5 X 30	2 Pc		
14.2	2707012	O-ring 6 X 2	2 Pc		
14.3	60004685	Spacing piece 14 X 33,9 X 63,3	2 Pc		
15	30000728	SPRING HOLDER	1 Pc		UC-M
17	62004512	Door	1 Pc		UC-M
17.1	60004595	Sliding roller 10,5 X 22,5 X 25	2 Pc		
18	60004487	Door	1 Pc		UC-L; UC-XL
18.1	60004595	Sliding roller 10,5 X 22,5 X 25	2 Pc		
19	60004412	Basic panel, left	1 Pc		
19.1	60003998	Leaf spring repair kit 12MM	1 Pc		
20	3112091	Macro-module plug5, 2-pole 250V; 10A; 2,5MM <sup>2</sup>	1 Pc		
21	60004842	Rack stop 25 X 30 X 65	1 Pc		UC-XL
22	30014054	sleeve nut D7 X D11 X 14,5	1 Pc		UC-XL

# Energy (Option)



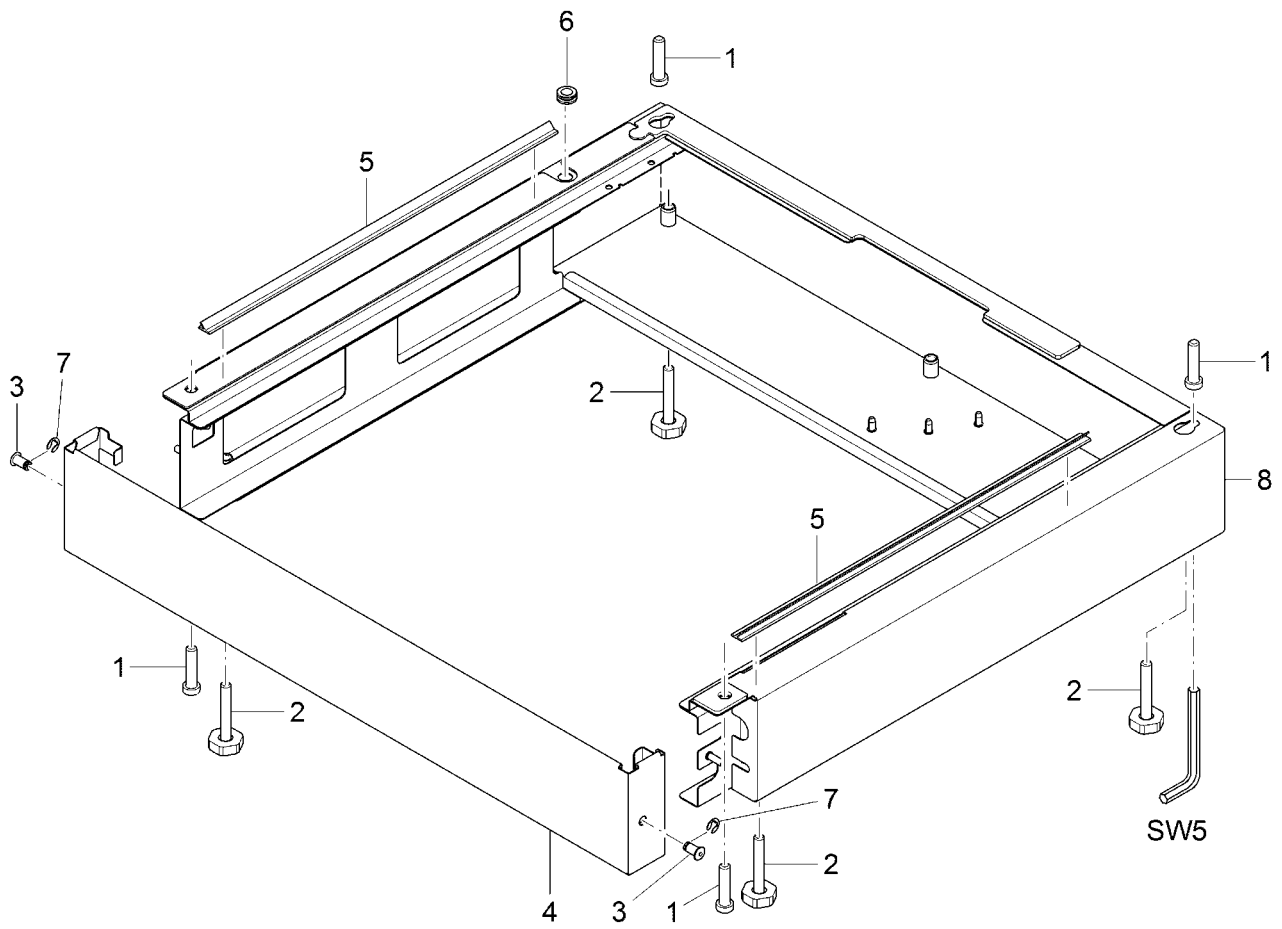
60005533-00



## Energy (Option)

Pos.	Part No.	Description; Dimensions	Quantity; Unit up to ...	from ...	Remarks
1	30000189	KIT RADIAL FAN	1 Pc		
1.1	60004606	SEAL FAN 51,8 X 79,4 X 2,5	1 Pc		
1.2	2707098	O-ring 62,5 X 3	1 Pc		
1.3	3120015	CABLE TIE 200 X 4,7	2 Pc		
2	2001309	Hexagon screw M5 X 16; A70	4 Pc		
3	2101310	Ratchet nut M5	1 Pc		
4	30000190	Kit HEAT EXCHANGER	1 Pc		
4.1	60004606	SEAL FAN 51,8 X 79,4 X 2,5	1 Pc		
4.2	30014174	O-ring 56 X 3,0	1 Pc		
4.3	60003001	Lock nut S54 X 4; D56	1 Pc		
4.4	3120015	CABLE TIE 200 X 4,7	2 Pc		
5	2802352	WIRE HOSE CLAMP D16,4 X 1,8	1 Pc		
6	2802365	Wire hose clamp D40,5 X 3,2	1 Pc		
7	60004517	Moulded hose DN33 X 2,0	1 Pc		
8	62004316	Riser vapour	1 Pc		UC-M
9	60005234	Riser vapour	1 Pc		UC-L; UC-XL
10	30017798	Kit moulded hose universal DN10	1 Pc		UC-M; cut to size
11	30017798	Kit moulded hose universal DN10	1 Pc		UC-L, UC-XL; cut to size
12	60004681	Moulded hose DN13 X 2,5	1 Pc		UC-M
13	60004668	Moulded hose DN13 X 2,5	1 Pc		UC-L; UC-XL
14	60004683	Moulded hose DN10 X 2,5	1 Pc		UC-M
15	60004672	Moulded hose DN10 X 2,5	1 Pc		UC-L; UC-XL
16	30000161	Cylindrical screw M6 X 20	3 Pc		
17	60004586	Intake socket condensation unit D94 X 127	1 Pc		
18	30000266	Four-lipped seal D31,34 X 3,53	1 Pc		
19	2802350	Wire hose clamp D18,2 X 1,9	1 Pc		
20	30013259	Hose DN4,8 X 1,6 X 100000	38 cm		
21	2802348	Wire hose clamp D8,6 X 1	2 Pc		

# UC-M Excellence-i(Plus) I

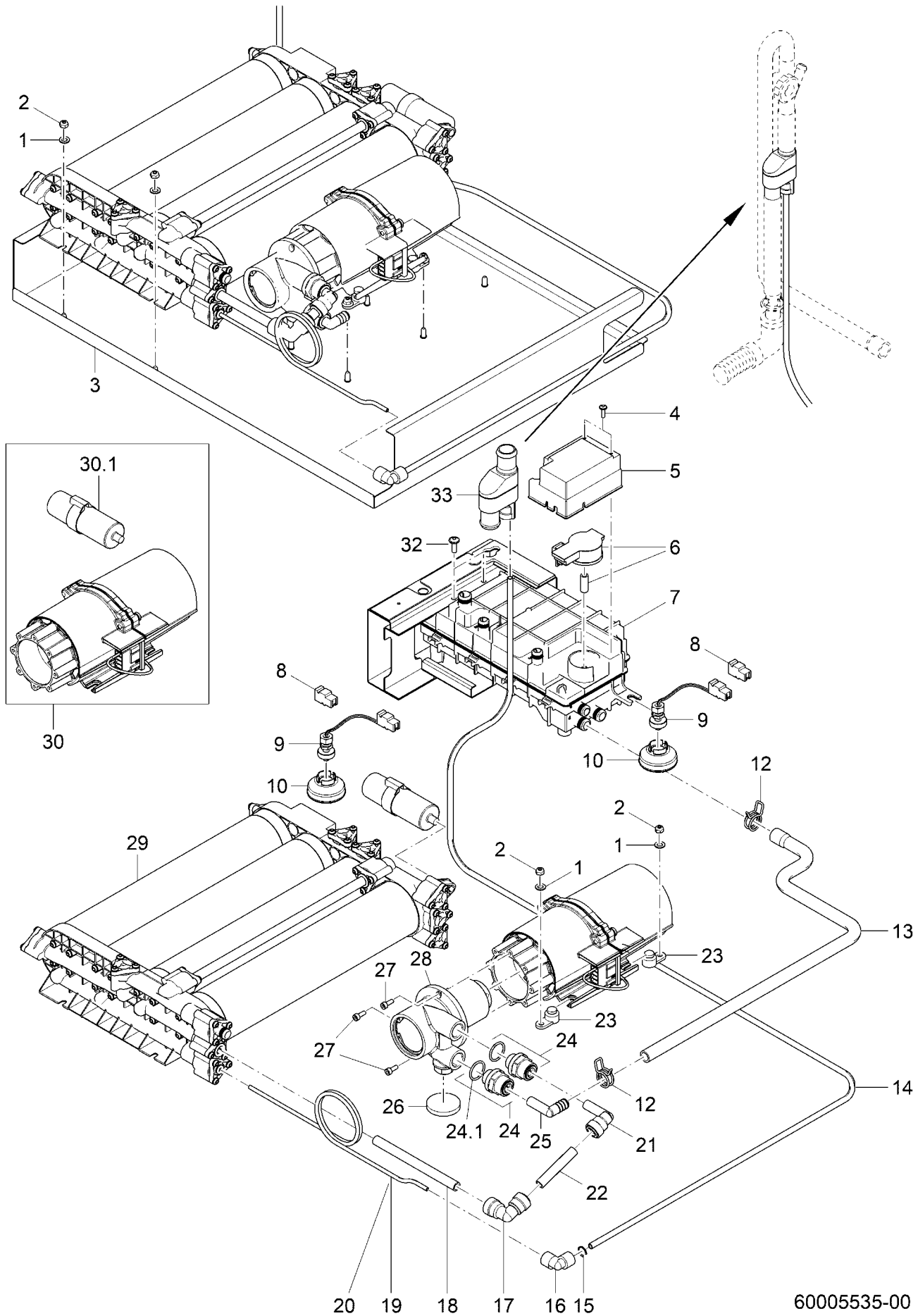


60005534-00

## UC-M Excellence-i(Plus) I

Pos.	Part No.	Description; Dimensions	Quantity; Unit up to ...	from ...	Remarks
1	30014365	Cylinder head screw M8 X 70; IS5	4 Pc		
2	62003652	Adjustable foot M8 X 59; SW24	4 Pc		
3	30014054	sleeve nut D7 X D11 X 14,5	2 Pc		
4	60006011	Panel	1 Pc		
5	65005446	Sealing profile 6,0 X 12 X 1100	1 Pc		Alternatively predecessor 60003847 may be used
6	61004890	HOSE NOZZLE 6,25 X D15; D8,5	1 Pc		
7	2310304	Locking disk D6 X 0,7	2 Pc		
8	60000855	Frame	1 Pc		

# UC-M Excellence-i(Plus) II



60005535-00

## UC-M Excellence-i(Plus) II

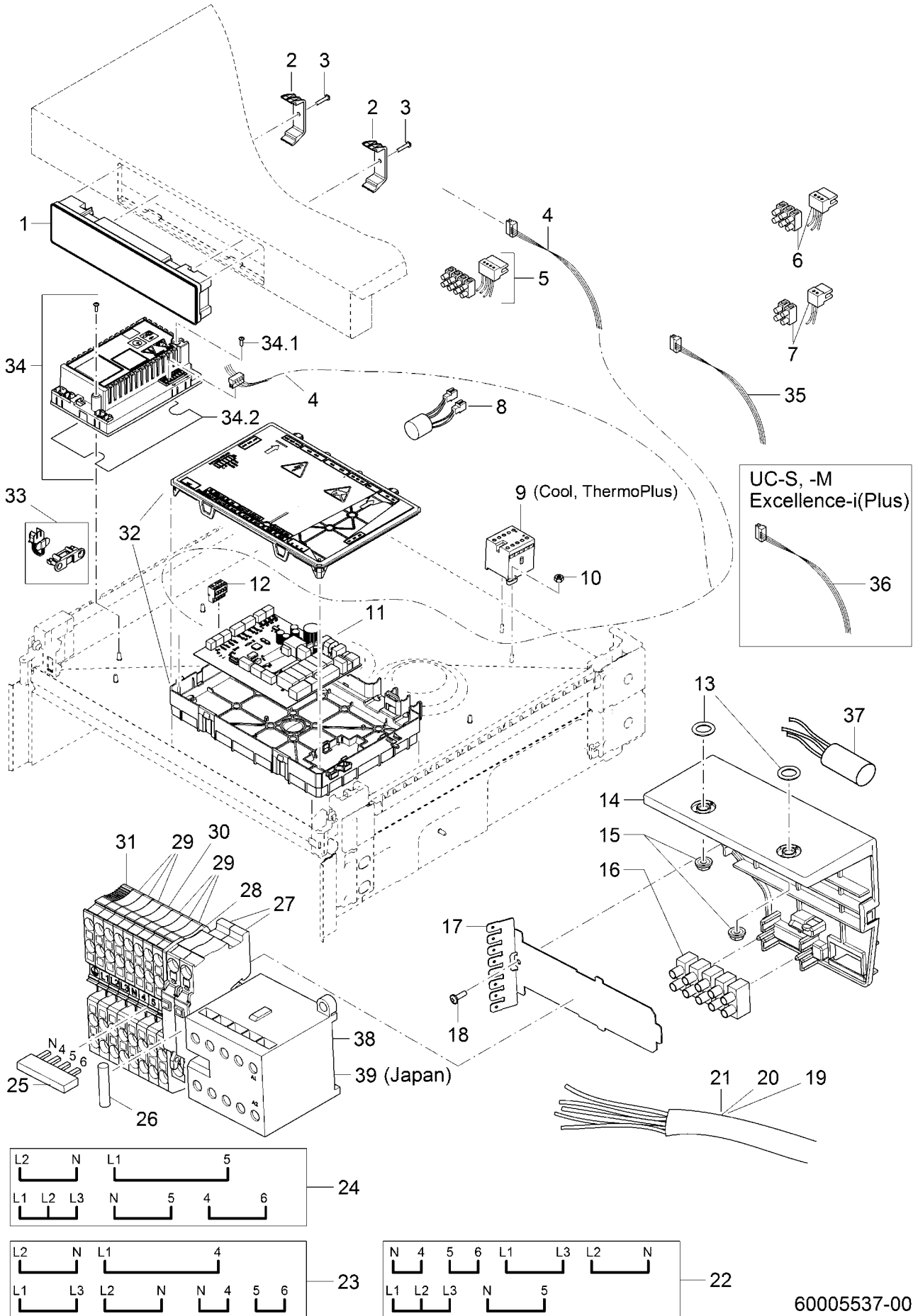
Pos.	Part No.	Description; Dimensions	Quantity; Unit up to ...	from ...	Remarks
1	2205301	WASHER D5,3 X D15 X 1,2	1 Pc		
2	2105302	HEXAGONAL NUT M5	1 Pc		
3	60000877	Trough	1 Pc		
4	30002832	PT screw KB30 X 10;	1 Pc		
5	62004362	Cover	1 Pc		
6	30011003	Kit pressure transmitter AT Excellence-i 0-10MBAR;5VDC/0,5-3,5V	1 Pc		
7	60000862	Compensator reservoir	1 Pc		
8	3112091	Macro-module plug5, 2-pole 250V; 10A; 2,5MM <sup>2</sup>	1 Pc		
9	30000876	Leak sensor 180VDC; 0,7A; 10VA; IP67	2 Pc		
10	60000934	Float 40 X 23,71	2 Pc		
12	2802350	Wire hose clamp D18,2 X 1,9	1 Pc		
13	62004359	Moulded hose DN9,5 X DN11,5 X 2,0; 555	1 Pc		
14	30011203	Hose DA6 X DI4 MM	132 cm		
15	30011789	Locking ring 6MM FÜR JG VERBINDER	1 Pc		
16	30011204	Reducing connection 6MM / 4MM	1 Pc		
17	83000909	Elbow union	1 Pc		
18	30008659	Hose DA10 X DI7 MM	12,2 cm		
19	30008814	Capillary white DA4 X DI2,5 MM	100 cm		For precise details on the length of the capillary, see the sticker on the membrane block
20	30008658	Capillary blue DA4 X DI2 MM	180 cm		For precise details on the length of the capillary, see the sticker on the membrane block
21	83000845	Elbow union STUTZEN 10 / JG 10	1 Pc		
22	30008659	Hose DA10 X DI7 MM	5,5 cm		
23	60000980	Damper 15 X 15,9 X 29,5	4 Pc		
24	83000854	Screwing connection JG 10 / 3/8" NPT AG	2 Pc		
24.1	30008816	O-ring 18,5 X 2	1 Pc		
25	83000855	Elbow union STUTZEN 10 / STUTZEN 10	1 Pc		
26	30011035	Foam rubber D30 X 3	1 Pc		
27	30008826	Cylindrical screw M4 X 10	3 Pc		
28	30008454	Pump head 50HZ / 10 BAR +/- 0,2 BAR	1 Pc		50Hz
28	30008455	Pump head 60HZ / 8 BAR +/- 0,2 BAR	1 Pc		60Hz
29	30017638	Kit membrane	1 Pc		
30	30011002	Kit motor 200-240V/50HZ; 200V/60HZ	1 Pc		
30.1	30012013	Kit Capacitor 6,3 YF 425V/CLASS B P2	1 Pc		substitute for condenser 5µF
32	30000683	PT Screw KB 50 X 14	2 Pc		
33	62004375	Waste water distributor	1 Pc		



## UC-M Excellence-i(Plus) III

Pos.	Part No.	Description; Dimensions	Quantity; Unit up to ...	from ...	Remarks
1	2802353	WIRE HOSE CLAMP D17,3 X 1,8	1 Pc		
2	60001249	Moulded hose DN10 X 2,5; 1103	1 Pc		UC Excellence-i
3	60001256	Moulded hose D13 X 2,5 X 424	1 Pc		
4	60000973	Moulded hose DN13 X 2,5; 712	1 Pc		
5	62001391	Distributor	1 Pc		
6	60000899	Moulded hose DN10 X DN13 X 2,5; 674	1 Pc		
7	60001619	Moulded hose DN11 X 2,5	1 Pc		
8	2802352	WIRE HOSE CLAMP D16,4 X 1,8	1 Pc		
9	62004365	Cover 32,5 X 57,49 X 72,2	1 Pc		
10	60004913	Backflow preventer	1 Pc		
11	83000803	Solenoid valve 3 X 8 HOSE OUTLET	1 Pc		
12	60001542	Moulded hose DN11 X DN12 X 2,5	1 Pc		
13	2802350	Wire hose clamp D18,2 X 1,9	1 Pc		
14	62004355	Moulded hose DN12 X 2,5; 127	1 Pc		
15	60001130	Moulded hose DN10 X DN17 X 3,5; 916	1 Pc		
16	62004357	Moulded hose DN11 X 2,0; 830	1 Pc		
17	70007962	Tube plug D24 X D13,1 X 27	1 Pc		
18	60000898	Moulded hose DN10 X 2,5; 570	1 Pc		UC Excellence-iPlus
19	83000932	Backflow preventer 36 X 36 X 66	1 Pc		
20	4002060	WATER SUPPLY HOSE DN13 X 3,5; 2500	1 Pc		
20.1	83001022	Gasket D16 X D24 X 3,0	2 Pc		
21	2901321	Metal hose DN13 X 2000; G3/4"	1 Pc		Option
21.1	83001022	Gasket D16 X D24 X 3,0	2 Pc		
22	30000683	PT Screw KB 50 X 14	2 Pc		
23	62004347	Bracket 1,2 X 57 X 105,76	1 Pc		
24	2901512	Check valve DW 20	1 Pc		
25	83000871	Filter connection head	1 Pc		
26	30011726	Active Carbon Filter, Größe M	1 Pc		
27	4002060	WATER SUPPLY HOSE DN13 X 3,5; 2500	1 Pc		
27.1	83001022	Gasket D16 X D24 X 3,0	2 Pc		
28	3106250	Solenoid valve flow restrictor 4l 230-240V 50/60HZ RAST5	1 Pc		
28.1	3106186	SOLENOID VALVE FILTER	1 Pc		
29	3106251	Solenoid valve flow restrictor 4l 200-240V/50-60HZ/+-10%; TM90	1 Pc		Japan; Australia
29.1	3106118	Dirt filter	1 Pc		
29.2	3106153	Coil 200-240V/50-60HZ/+-10%	1 Pc		
30	60004314	Moulded hose DN13 X 2,5; 224	1 Pc		
31	60004141	Adapter cable 0,75QMM	1 Pc		

# Electric parts



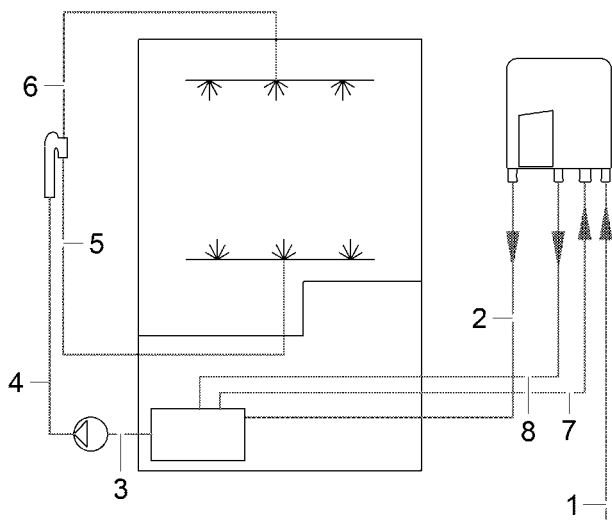
60005537-00



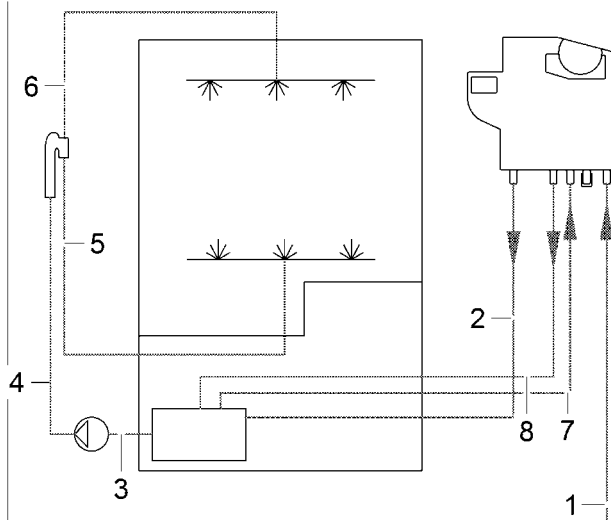
## Electric parts

Pos.	Part No.	Description; Dimensions	Quantity; Unit up to ...	from ...	Remarks
1	30017007	Kit Display 8GB	1 Pc		Alternatively predecessor 30015234, 30014162 may be used
2	60002184	Clip	2 Pc		
3	30002059	PT-screw KB 40 X 20	2 Pc		
4	60003042	Bus cable	1 Pc		
5	30002482	Kit macro module plug size 2,5 4-pole	1 Pc		
6	30000198	KIT MACRO MODULE PLUG SIZE 2,5 3-POLE	1 Pc		
7	30000197	KIT MACRO-MODULE PLUG SIZE 2,5 2-POLE	1 Pc		
8	60005394	Capacitor 275VAC;16A; X1-0,68MF; 2X2MH	1 Pc	3091907	
9	3104154	Contacto B7:3H 1 N/C contact 220-255V/50-60HZ	1 Pc		UC-x Cool
10	2105300	Hexagonal nut self securing M4	2 Pc		
11	30014178	P.C.B. Control Unit	1 Pc		
12	30012132	Macro-module plug, 5-pole 10A; 2,5MM <sup>2</sup>	1 Pc		
13	30000723	O-ring 10 X 2,5	2 Pc		
14	60004821	Housing 77,7 X 120,8 X 154,5	1 Pc		
15	2101310	Ratchet nut M5	2 Pc		
16	3109230	Binding post 5-POLIG; 6QMM; 56,5LG	1 Pc		
17	60002509	Assembly plate 0,8 X 69,4 X 155,46	1 Pc		
18	30002832	PT screw KB30 X 10;	1 Pc		
19	3123132	Supply cable, 5-wire 5 X 2,5QMM; 3000 LG	1 Pc		
20	3123125	Supply cable, 3-wire 3 X 2,5QMM; 3000 LG	1 Pc		
21	3123129	Supply cable, 4-wire 4 X 4,0QMM; 3000 LG	1 Pc		
22	60004858	Fixed bridge kit	1 Pc		220V-240VN~/380V-415V3N~, 50+60Hz
23	60004859	Fixed bridge kit	1 Pc		230V2~/230V3~,50+60Hz
24	60004860	Fixed bridge kit, Japan	1 Pc		200V2~/200V3~,50+60Hz
25	3109278	Fixed bridge; 4-pole; FB 10-8 4-POLIG;	1 Pc		
26	30008677	Slow blow fuse 250V; 2,5A; 5 X 20	2 Pc		
27	30012180	Terminal 0,2 - 6 MM <sup>2</sup>	2 Pc		
28	30002620	Cover	1 Pc		
29	30002617	PT 4-quatro double terminal 0,2 MM <sup>2</sup> - 6 MM <sup>2</sup>	6 Pc		
30	30002618	Double terminal 0,2 MM <sup>2</sup> - 6 MM <sup>2</sup>	1 Pc		
31	30002619	Double terminal 0,2 MM <sup>2</sup> - 6 MM <sup>2</sup>	1 Pc		
32	60002094	Assembly plate	1 Pc		
33	30017056	Kit sensor UC & PT V02	2 Pc		
34	30013886	Kit frequency inverter	1 Pc		
34.1	30012773	Lens head screw with flange M3 X 10	2 Pc		
34.2	60003061	Heat conducting foil 0,25 X 107 X 150	1 Pc		
35	30014583	Main wiring harness UC	1 Pc		
36	60003761	Main wiring harness Excellence-i UC	1 Pc		
37	3113211	Radio interference suppression capacitor 0,22 MF + 2 X 22'000PF	1 Pc		
38	3104154	Contacto B7:3H 1 N/C contact 220-255V/50-60HZ	1 Pc		
39	30014726	Mini-Contacto 200-240V/50-60HZ	1 Pc		Japan

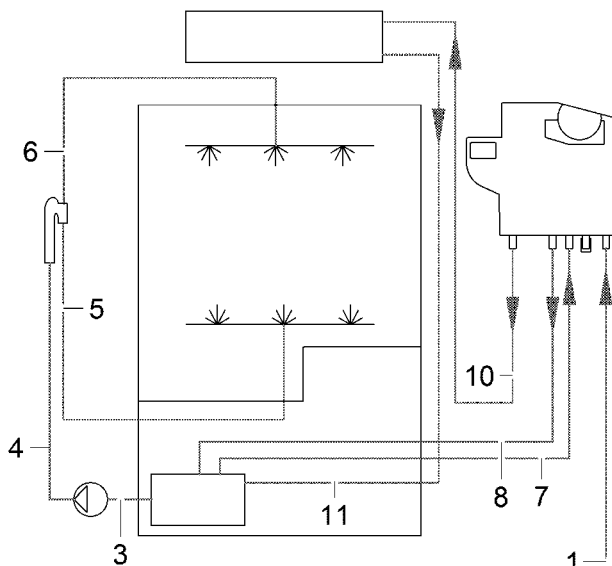
# Flow diagrams



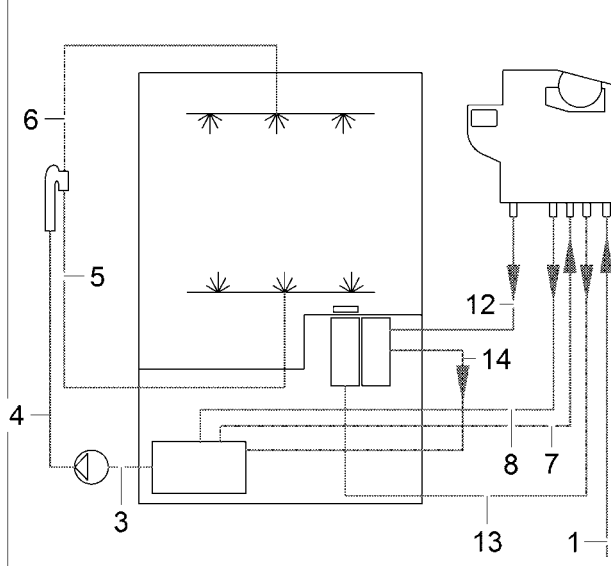
Standard



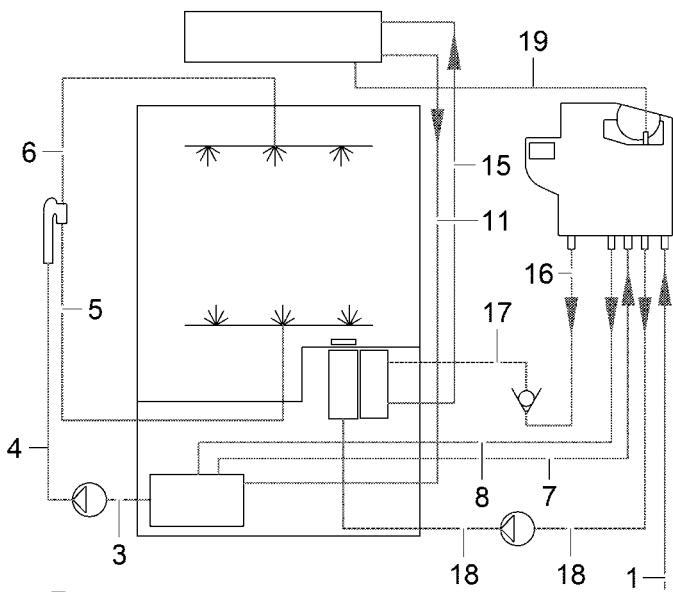
UK / Australia



Energy



Water softener



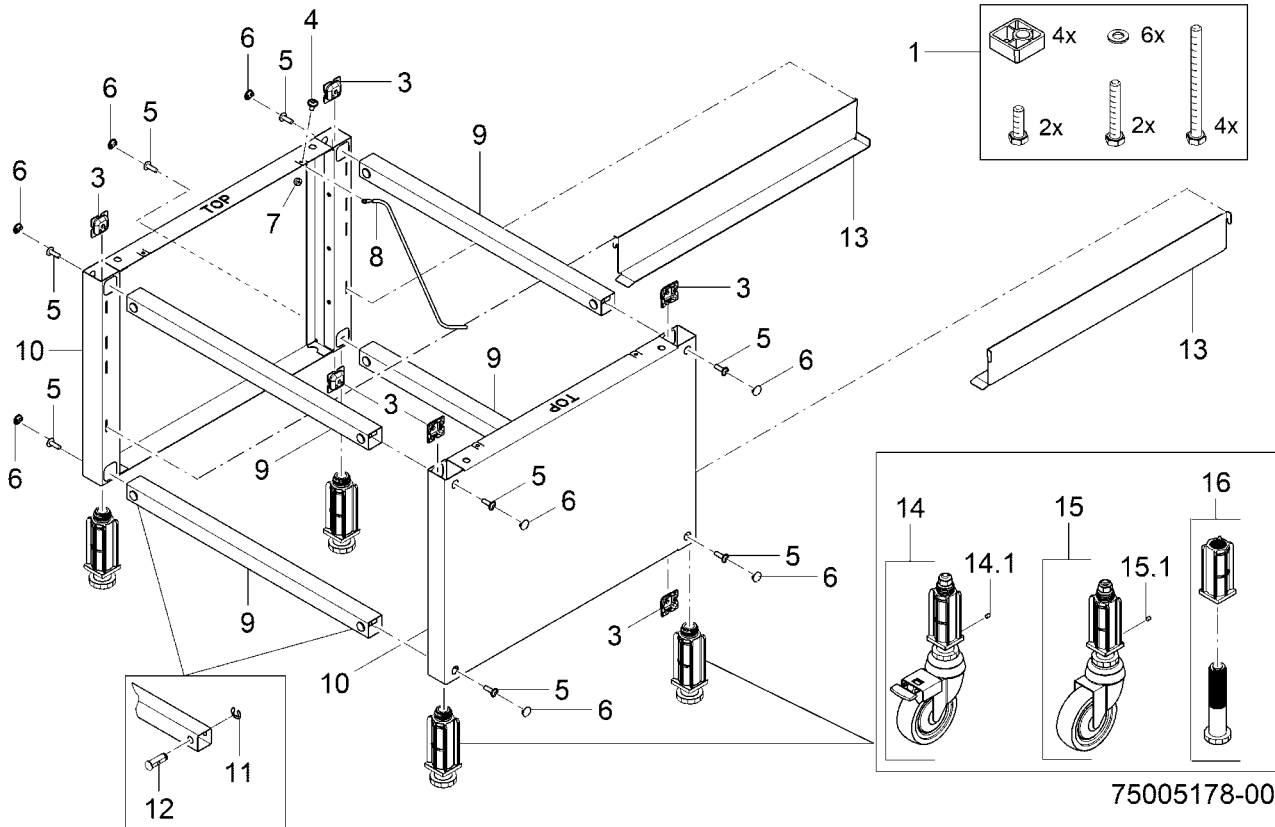
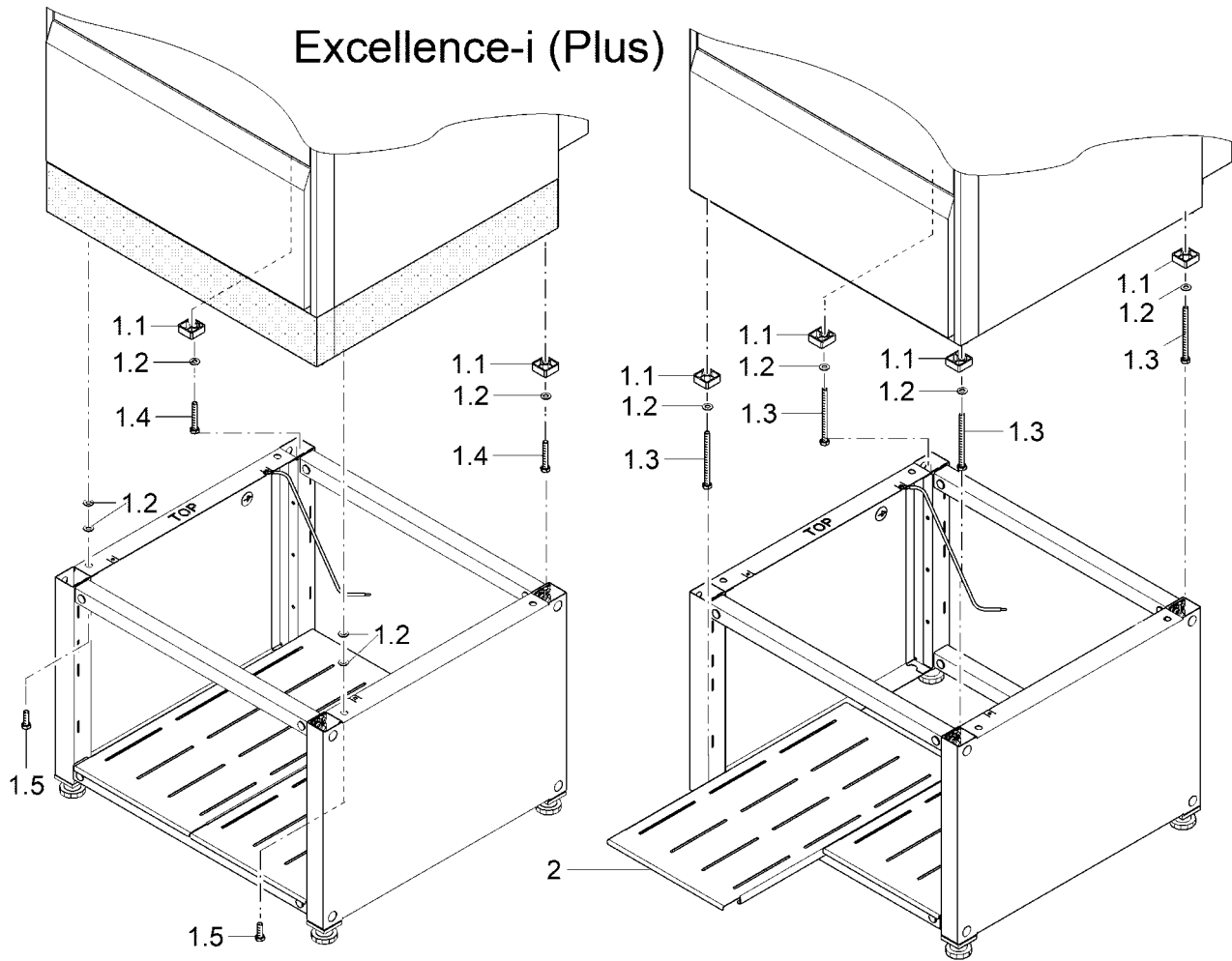
Energy  
Water softener / DeMatik

60005542-00

## Flow diagrams

Pos.	Part No.	Description; Dimensions	Quantity; Unit up to ...	from ...	Remarks
1	30017798	Kit moulded hose universal DN10	1 Pc		cut to size
2	60004670	Moulded hose DN10 X DN11 X 2,5	1 Pc		
3	60004573	Moulded hose DN22 X DN25 X 3,5	1 Pc		
4	60004632	Moulded hose DN18 X DN24 X 3,5	1 Pc		
5	30017729	Kit moulded hose universal DN13,5	1 Pc		cut to size
6	30017729	Kit moulded hose universal DN13,5	1 Pc		UC-M; cut to size
6	30017729	Kit moulded hose universal DN13,5	1 Pc		UC-L, UC-XL; cut to size
7	30017811	Kit moulded hose universal DN13	1 Pc		cut to size
8	30017775	Kit moulded hose universal DN10xDN13	1 Pc		cut to size
10	30017798	Kit moulded hose universal DN10	1 Pc		UC-M; cut to size
10	30017798	Kit moulded hose universal DN10	1 Pc		UC-L, UC-XL; cut to size
11	60004681	Moulded hose DN13 X 2,5	1 Pc		UC-M
11	60004668	Moulded hose DN13 X 2,5	1 Pc		UC-L; UC-XL
12	4001050	HOSE DN10 X 2,0	65 cm		
13	4001050	HOSE DN10 X 2,0	80 cm		
14	60004671	Moulded hose DN10 X DN11 X 2,5	1 Pc		
15	60004683	Moulded hose DN10 X 2,5	1 Pc		UC-M
15	60004672	Moulded hose DN10 X 2,5	1 Pc		UC-L; UC-XL
16	60005059	Moulded hose DN10 X 2,5	1 Pc		
17	60005058	Moulded hose DN10 X 2,5	1 Pc		
18	30002647	Hoses kit	1 Pc		UC-x Energy
19	30013259	Hose DN4,8 X 1,6 X 100000	38 cm		

### Excellence-i (Plus)



## Plinth UC

Pos.	Part No.	Description; Dimensions	Quantity; Unit up to ...	from ...	Remarks
1	75000358	Kit centering piece	1 Pc		
1.1	75000173	Centering piece 30 X 31,6 X 31,6	4 Pc		
1.2	2201303	WASHER D8,4 X D17 X 1,6	6 Pc		
1.3	2001350	Hexagon screw M8 X 100	4 Pc		
1.4	2001303	Hexagon screw M8 X 45; A70	2 Pc		
1.5	2001010	Hexagon screw M8 X 25	2 Pc		
2	75004958	Bottom plate UC-M/-L/-XL 1,2 X 295,3 X 542	1 Pc		
2	75004959	Bottom plate UC-S 1,2 X 397,4 X 542,26	1 Pc		
3	75004997	Fixing element 10 X 34 X 34	1 Pc		
4	30015087	Lens head screw with flange M5 X 10	1 Pc		
5	30011508	Lens head screw with Tuflok M6 X 20 MIT TORX 30	6 Pc		
6	75005024	Plug D16 X 5,5	8 Pc		
7	2105302	HEXAGONAL NUT M5	1 Pc		
8	75204005	Wire PE-CEKON 0,75QMM	1 Pc		
9	75004883	Square pipe UC-S 30 X 30 X 1,0 X 378	4 Pc		
9	75004922	Square pipe UC-M/-L/-XL 30 X 30 X 1,0 X 518	4 Pc		
10	75004878	Lateral panel 380 X 539	2 Pc		
10	75004899	Lateral panel 230 X 539	2 Pc		
10	75004964	Lateral panel 580 X 539	2 Pc		
11	2310301	Locking disk D9 X 1,1	1 Pc		
12	75004938	Bolt D15 X 36	1 Pc		
13	75004886	Rail 1,5 X 98,8 X 530	2 Pc		
14	75004731	Swivel castor with brake	2 Pc		
14.1	30008762	Threaded stud M5 X 8	1 Pc		
15	75004730	Swivel castor without brake	2 Pc		
15.1	30008762	Threaded stud M5 X 8	1 Pc		
16	61008118	Adjustable foot with threaded insert	4 Pc		

## Accessories

## Accessories

Pos.	Part No.	Description; Dimensions	Quantity; Unit up to ...	from ...	Remarks
1	60005520	Drip tray	1 Pc		
2	80002369	Drip collector 19,4 X 523,4 X 523,4	1 Pc		
3	75000516	Fixing plate 1,0 X 609,7 X 615,55	1 Pc		
4	80005142	Fixing plate 1,0 X 596,7 X 612,7	1 Pc		
5	60005608	Cover sheet	1 Pc		
6	75000507	Plinth, movable 35MM HOCH	1 Pc		Height: 35mm
7	75000350	Plinth, open 250MM HOCH	1 Pc		Height: 250mm
8	75000369	Plinth, open 400MM HOCH	1 Pc		Height: 400mm
9	75000368	Plinth, open, movable 385 MM	1 Pc		Height: 385mm
10	75000374	Plinth, open, movable 535MM HOCH	1 Pc		Height: 535mm
11	75000385	Plinth, closed 50MM HOCH; 600 BREIT	1 Pc		Height: 50mm
12	75000391	Plinth, closed 85MM HOCH; 600 BREIT	1 Pc		Height: 85mm
13	75000394	Plinth, closed 135MM HOCH; 600MM BREI	1 Pc		Height: 135mm
14	80002870	Set of vapour protectors	1 Pc		UC-M
15	80002865	Set of vapour protectors	1 Pc		UC-L; UC-XL
16	85000042	Double rack carrier L/XL with racks	1 Pc		
17	75000425	Rack carrier	1 Pc		Rack size: 435x357 / 435x435
18	75000444	Rack carrier (UC-XL)	1 Pc		Rack size: 600x400
19	75004426	Kit Rail RoMatik XS in base frame	1 Pc		
20	30000287	Chemical tank retrofit kit	1 Pc		
21	60005667	Kit LAN-Interface UC-2018	1 Pc		

Winterhalter Gastronom GmbH  
Gewerbliche Spülsysteme

Winterhalterstraße 2–12  
88074 Meckenbeuren  
Deutschland  
Telefon +49 (0) 75 42/4 02-0

[www.winterhalter.de](http://www.winterhalter.de)  
[info@winterhalter.de](mailto:info@winterhalter.de)

Winterhalter Gastronom GmbH  
Commercial Dishwashing Systems

Winterhalterstrasse 2–12  
88074 Meckenbeuren  
Germany  
Telephone +49 (0) 75 42/4 02-0

[www.winterhalter.com](http://www.winterhalter.com)  
[info@winterhalter.com](mailto:info@winterhalter.com)