

# **BAR-LINE**

**SPARE PARTS LIST  
CATALOGO RICAMBI  
CATALOGUES PIÈCES DÉTACHÉES  
ERSATZTEILENKATALOG**

**B 40**

**B 65**

**B 90**

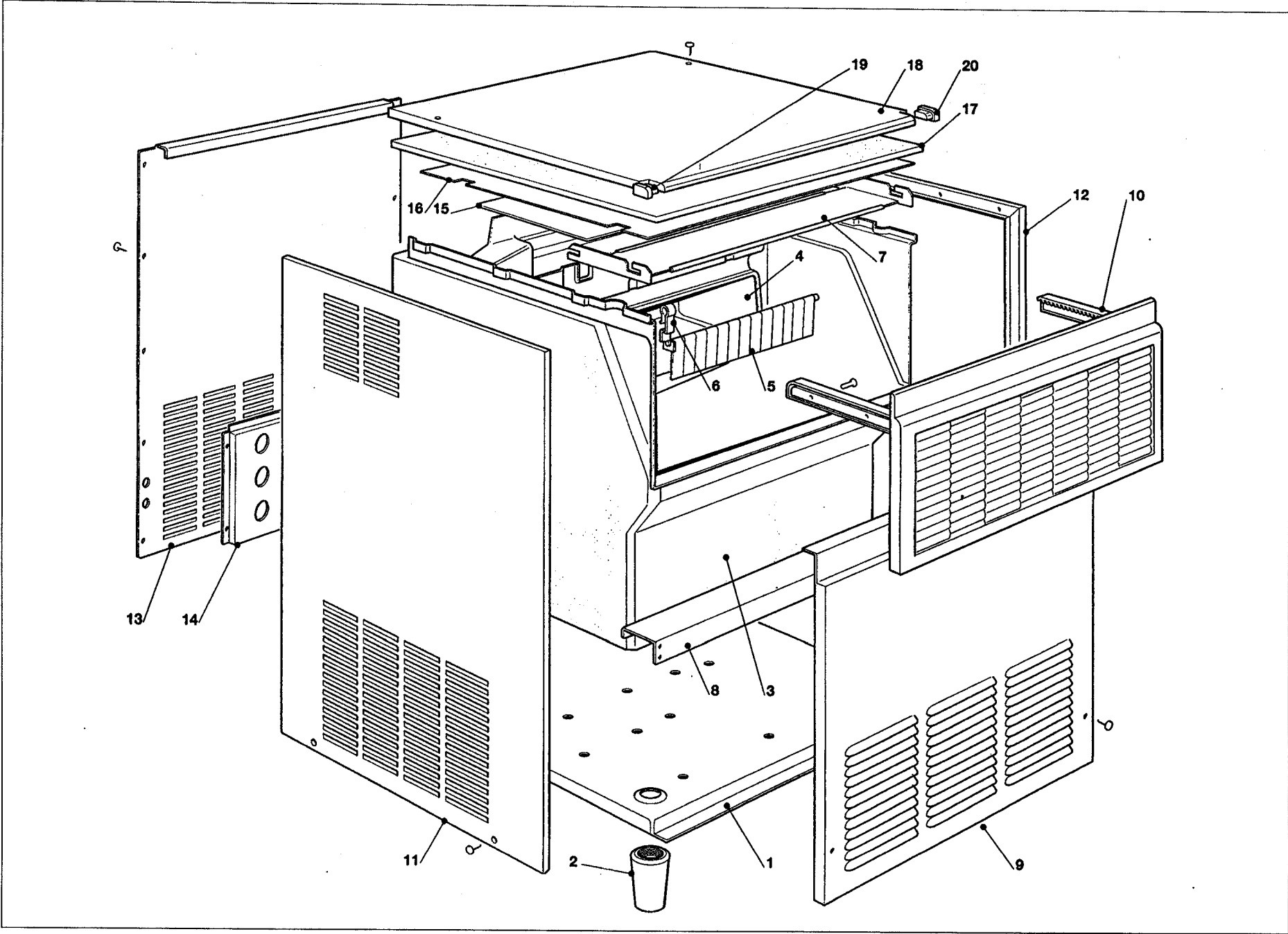
**R 134 A**

**Electronic cubers**

**Fabbricatori elettronici  
di ghiaccio a cubetti**

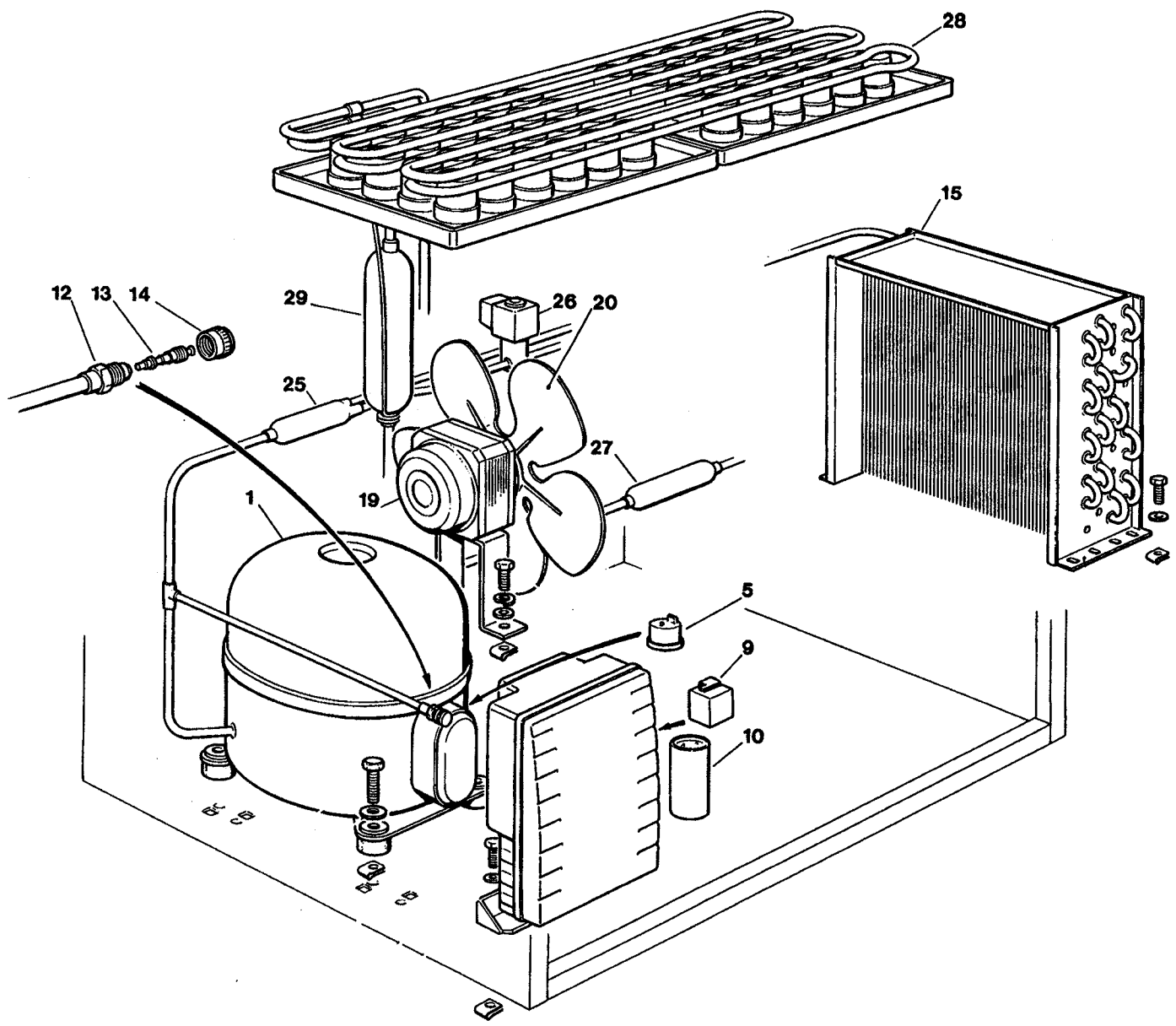
**Machines á glaçons électroniques**

**Elektronische Kegeleisbereiter**



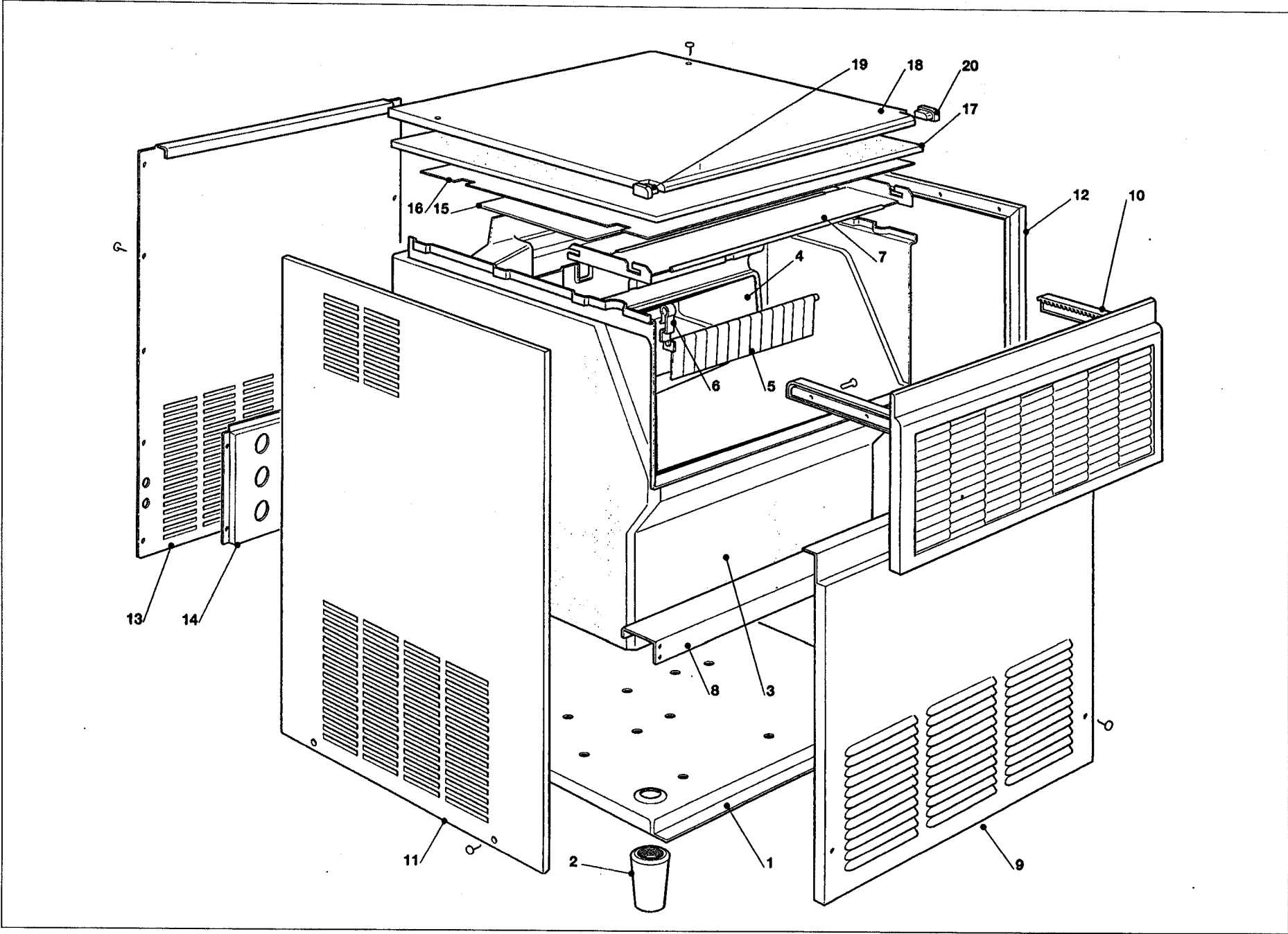
## B 40 - UNIT PANELS - ASSIEME MOBILE - ENS. CARROSSERIE - MACHINE GEHAUSE

ITEM NO POS NO REP. NO REF. NO	PART NO CODICE REFERENCE TUECK NR	DESCRIPTION	DESCRIZIONE	DESIGNATION	BESCHREIBUNG
1	781406 01 R	UNIT BASE	BASAMENTO	BASEMENT	CHASSIS RAHMEN
2	660638 00	LEGS	PIEDINI	PIEDS	FUESSE
3	782086 04 R	INSULATED STORAGE BIN	CELLA ISOLATA	CABINE STOCKAGE ISOLEE	ISOLIEREISSPEICHER
4	792010 00 R	EVAPORATOR HOUSING	INVOLUCRO EVAPORATORE	CUVE ÉVAPORATEUR	VERDAMPFER GEHÄUSE
5	784457 00 R	CURTAIN ASSY	ASSIEME TENDINA	ENSAMBLE RIDEAU	JALOUSIE
6	660388 00	CURTAIN BRACKET LEFT	SUPPORTO TENDINA SX	SUPPORT RIDEAU GAUCHE	JALOUSIETRAEGER - LINKE
7	721679 01	METAL PLATE	DISTANZIALE IN ACC. INOX	PLAQUE EN ACIER INOX	METALLPLATTE
8	702128 01	METAL BRACKET	SUPPORTO IN METALLO	SUPPORT	METALLTRÄGER
9	721635 00	FRONT PANEL	PANNELLO FRONTALE	PANNEAU AVANT	VORDERWAND
10	782091 00 R 660616 00	BIN DOOR ASSY DOOR RACK	ASSIEME SPORTELLA CREMAGLIERA	ENSAMBLE PORTE CABINE CREMAILLIERE	SPEICHERTUER ZAHNSTANGE
11	721637 00	LEFT SIDE PANEL	PANNELLO SX	PANNEAU GAUCHE	LINKE SEITENWAND
12	721636 00	RIGHT SIDE PANEL	PANNELLO DX	PANNEAU DROITE	RECHTE SEITENWAND
13	702199 00	REAR PANEL	PANNELLO POSTERIORE	PANNEAU ARRIERE	RUECKWAND
14	702180 00	METAL BRACKET FOR FITTINGS	SUPPORTO ATTACCHI	SUPPORT DE RACCORDS	METALLTRAEGER
15	784378 04 R	EVAPORATOR PLASTIC COVER	COPERCHIO IN PLASTICA	COUVERCLE ÉVAPORATEUR	VERDAMPFER DECKEL
16	660541 00	STORAGE BIN COVER	COPERCHIO CONTENITORE	COUVERCLE BAC DE STOCKKE	SPEICHERFDECKEL
17	650236 21	UPPER INSULATION	ISOLAMENTO SUPERIORE	ISOLATION SUPERIEUR	ISOLIERUNG
18	781395 28 R	TOP PANEL	PANNELLO SUPERIORE	PANNEAU SUPERIEURE	ABDECKHAUBE
19	660528 01	PLASTIC PLUG LEFT	TAPPO IN PLASTICA SX	CAPUCHON EN PLASTIQUE - GAUCHE	PLASTIKPROPFEN - RECHT
20	660528 00	PLASTIC PLUG RIGHT	TUBO IN PLASTICA DX	CAPUCHON EN PLASTIQUE - DROITE	PLASTIKPROPFEN - LINK



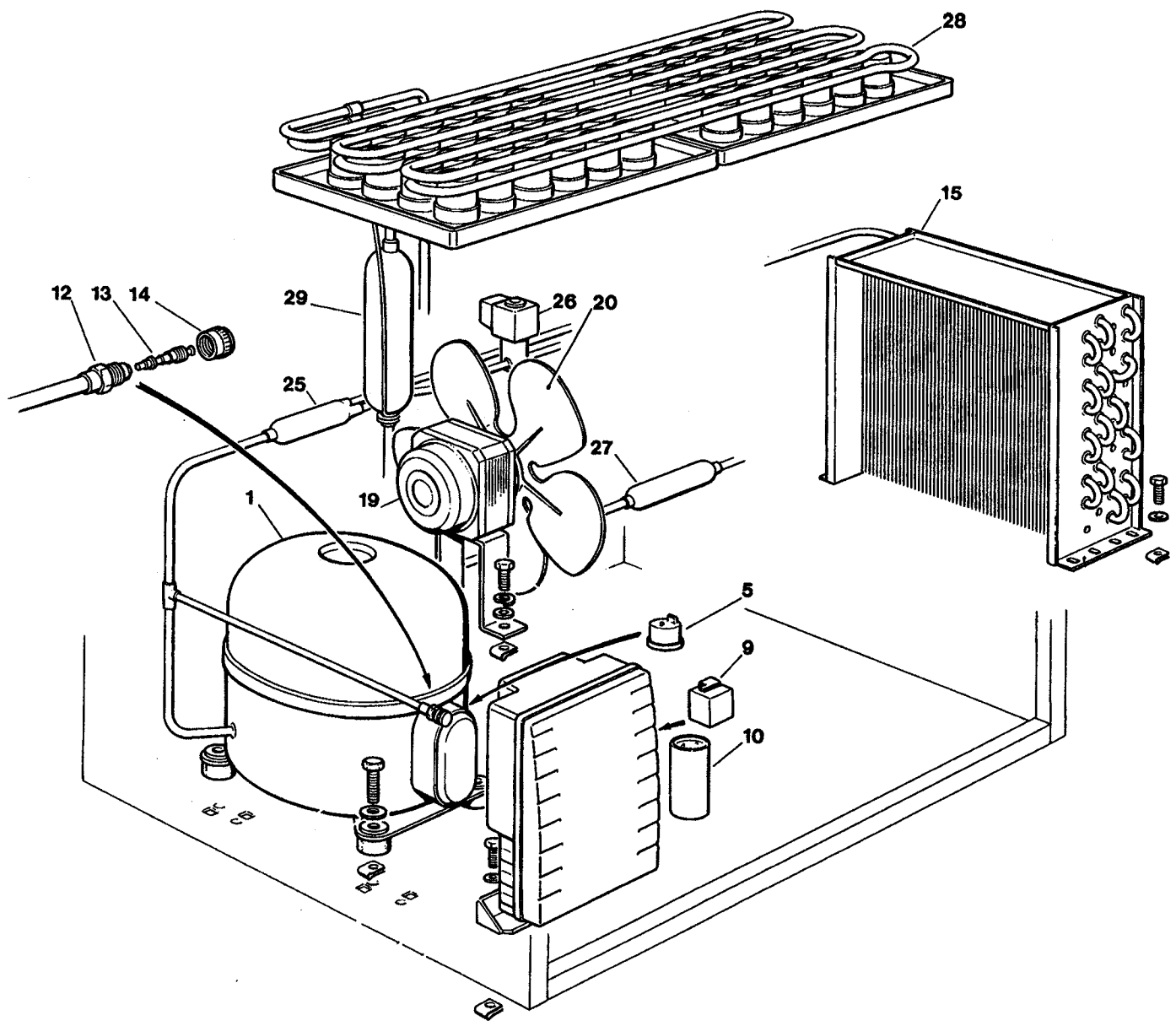
**B 40 - B 65 - B 90 - REFRIGERANT SYSTEM AIR COOLED - SISTEMA REFRIGERANTE RAFFR. AD ARIA  
CIRCUIT FRIGORIFIQUE REFROID. PAR AIR - LUFTGEKÜHLT GEFRIERSYSTEM**

ITEM NO POS NO REP. NO REF. NO	PART NO CODICE REFERENCE TUECK NR			DESCRIPTION	DESCRIZIONE	DESIGNATION	BESCHREIBUNG
	40	65	90				
1	670101 00	670099 02	670099 03	COMPRESSOR ASSY	ASSIEME COMPRESSORE	ENSAMBLE COMPRESSEUR	KOMPRESSOR
5	620058 77	620058 39	620058 42	PROTECTOR	PROTETTORE	PROTECTEUR	SCHUTZGERAT
9	620057 42	620057 44	620057 45	RELAY	RELE	RELAIS	RELAIS
10		620167 01		START CAPACITOR	CONDENSATORE D'AVVIAMENTO	CAPACITE DE DEMARRAGE	START KONDENSATOR
12		650109 00		VALVE BODY	CORPO VALVOLA	CORPS DE VANNE	VENTILGEHAUSE
13		670012 00		VALVE PISTON	PISTONCINO VALVOLA	PISTON	VENTILKOLBEN
14		650106 00		VALVE CAP	CAPPUCCIO VALVOLA	CAPUCHON DE VANNE	VENTILKLAPPE
15	620439 00	620405 00	620440 00	AIR COOLED CONDENSER	CONDENSATORE AD ARIA	CONDENSEUR A AIR	LUFT KONDENSATOR
19	620419 02	620419 02	620419 04	FAN MOTOR	MOTORE VENTILATORE	MOTEUR DU VENTILATEUR	LUFTER MOTOR
20		620419 33		FAN BLADE	VENTOLA	HELICE	FLUEGEL
25		630020 01		MECHANICAL FILTER	FILTRO MECCANICO	FILTRE MECANIQUE	MECHANISCHFILTERN
26	620306 27	620306 27 620306 48	620306 46	HOT GAS VALVE BODY HOT GAS VALVE COIL	CORPO VALVOLA GAS CALDO BOBINA VALVOLA GAS CALDO	CORP VANNE GAZ CHAUD BOBINE VANNE GAZ CHAUD	HEISSGAZ VENTILGEHAUSE HEISSGAZ VENTIL SPULE
27	630003 05	630003 06	630003 06	DRIER	FILTRO DEUMIDIFICATORE	FILTRE DESHYDRATEUR	TROCKNER
28	784256 01 784415 00	784263 07 784263 09	784263 07 784263 09	EVAPORATOR ASSY - M EVAPORATOR ASSY - L	ASSIEME EVAPORATORE - M ASSIEME EVAPORATORE - L	ENSAMBLE EVAPORATEUR - M ENSAMBLE EVAPORATEUR - L	VERDAMPFER - M VERDAMPFER - L
29	784444 04	784444 06	784444 08	SUCTION LINE/ACCUMULATOR	ACCUMUL. E LINEA ASPIRAZIONE	ENS. ASPIRATION/ACCUMULATEUR	SAMMLER UND SAUGLEITUNGEN
*		650694 00		SUCTION SERVICE VALVE	RUBINETTO DI CARICA	ROBINET DE SERVICE	VENTILKÄLTEMITTEL



## B 40 - UNIT PANELS - ASSIEME MOBILE - ENS. CARROSSERIE - MACHINE GEHAUSE

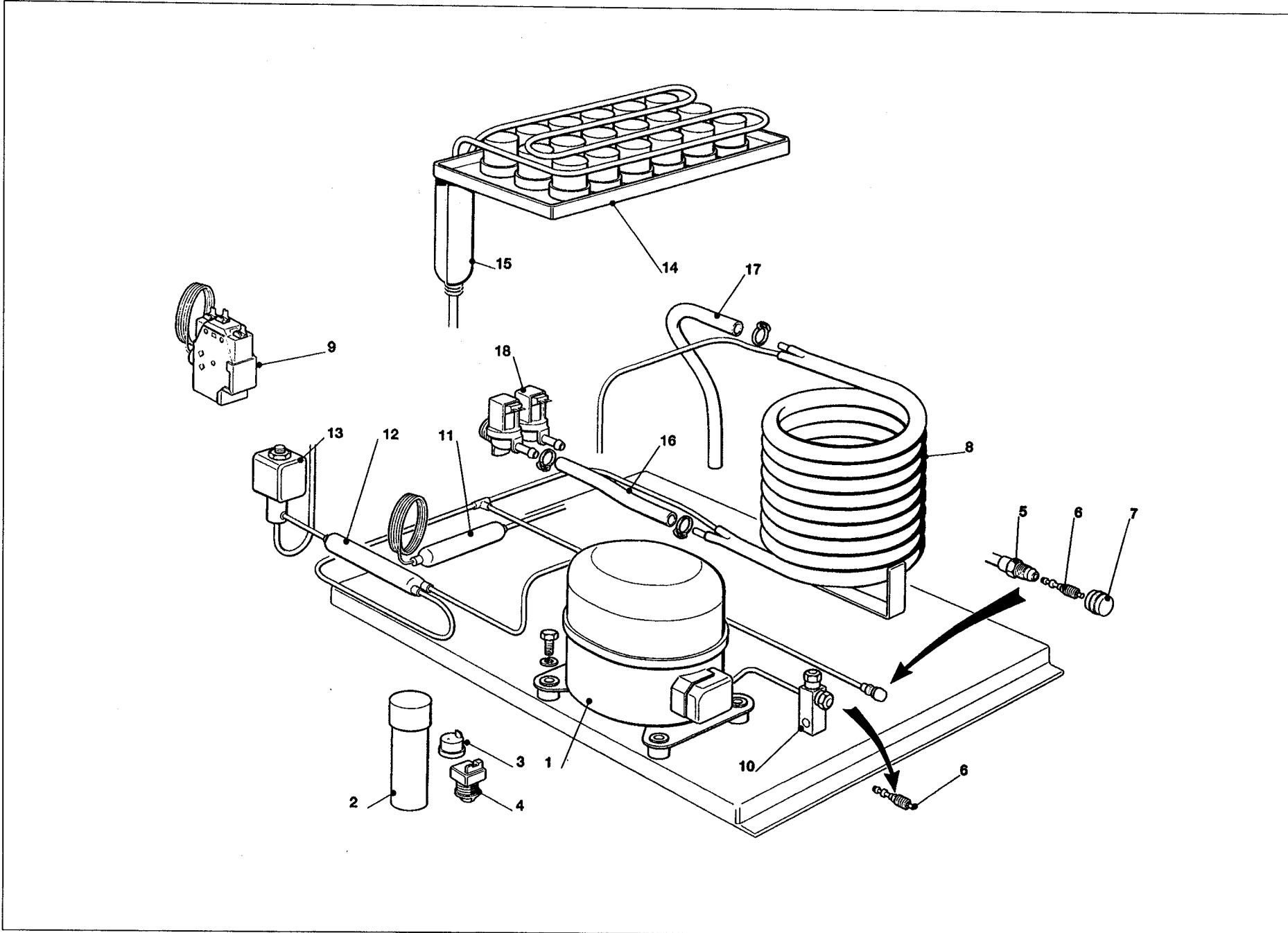
ITEM NO POS NO REP. NO REF. NO	PART NO CODICE REFERENCE TUECK NR	DESCRIPTION	DESCRIZIONE	DESIGNATION	BESCHREIBUNG
1	781406 01 R	UNIT BASE	BASAMENTO	BASEMENT	CHASSIS RAHMEN
2	660638 00	LEGS	PIEDINI	PIEDS	FUESSE
3	782086 04 R	INSULATED STORAGE BIN	CELLA ISOLATA	CABINE STOCKAGE ISOLEE	ISOLIEREISSPEICHER
4	792010 00 R	EVAPORATOR HOUSING	INVOLUCRO EVAPORATORE	CUVE ÉVAPORATEUR	VERDAMPFER GEHÄUSE
5	784457 00 R	CURTAIN ASSY	ASSIEME TENDINA	ENSAMBLE RIDEAU	JALOUSIE
6	660388 00	CURTAIN BRACKET LEFT	SUPPORTO TENDINA SX	SUPPORT RIDEAU GAUCHE	JALOUSIETRAEGER - LINKE
7	721679 01	METAL PLATE	DISTANZIALE IN ACC. INOX	PLAQUE EN ACIER INOX	METALLPLATTE
8	702128 01	METAL BRACKET	SUPPORTO IN METALLO	SUPPORT	METALLTRÄGER
9	721635 00	FRONT PANEL	PANNELLO FRONTALE	PANNEAU AVANT	VORDERWAND
10	782091 00 R 660616 00	BIN DOOR ASSY DOOR RACK	ASSIEME SPORTELLA CREMAGLIERA	ENSAMBLE PORTE CABINE CREMAILLIERE	SPEICHERTUER ZAHNSTANGE
11	721637 00	LEFT SIDE PANEL	PANNELLO SX	PANNEAU GAUCHE	LINKE SEITENWAND
12	721636 00	RIGHT SIDE PANEL	PANNELLO DX	PANNEAU DROITE	RECHTE SEITENWAND
13	702199 00	REAR PANEL	PANNELLO POSTERIORE	PANNEAU ARRIERE	RUECKWAND
14	702180 00	METAL BRACKET FOR FITTINGS	SUPPORTO ATTACCHI	SUPPORT DE RACCORDS	METALLTRAEGER
15	784378 04 R	EVAPORATOR PLASTIC COVER	COPERCHIO IN PLASTICA	COUVERCLE ÉVAPORATEUR	VERDAMPFER DECKEL
16	660541 00	STORAGE BIN COVER	COPERCHIO CONTENITORE	COUVERCLE BAC DE STOCKKE	SPEICHERFDECKEL
17	650236 21	UPPER INSULATION	ISOLAMENTO SUPERIORE	ISOLATION SUPERIEUR	ISOLIERUNG
18	781395 28 R	TOP PANEL	PANNELLO SUPERIORE	PANNEAU SUPERIEURE	ABDECKHAUBE
19	660528 01	PLASTIC PLUG LEFT	TAPPO IN PLASTICA SX	CAPUCHON EN PLASTIQUE - GAUCHE	PLASTIKPROPFEN - RECHT
20	660528 00	PLASTIC PLUG RIGHT	TUBO IN PLASTICA DX	CAPUCHON EN PLASTIQUE - DROITE	PLASTIKPROPFEN - LINK





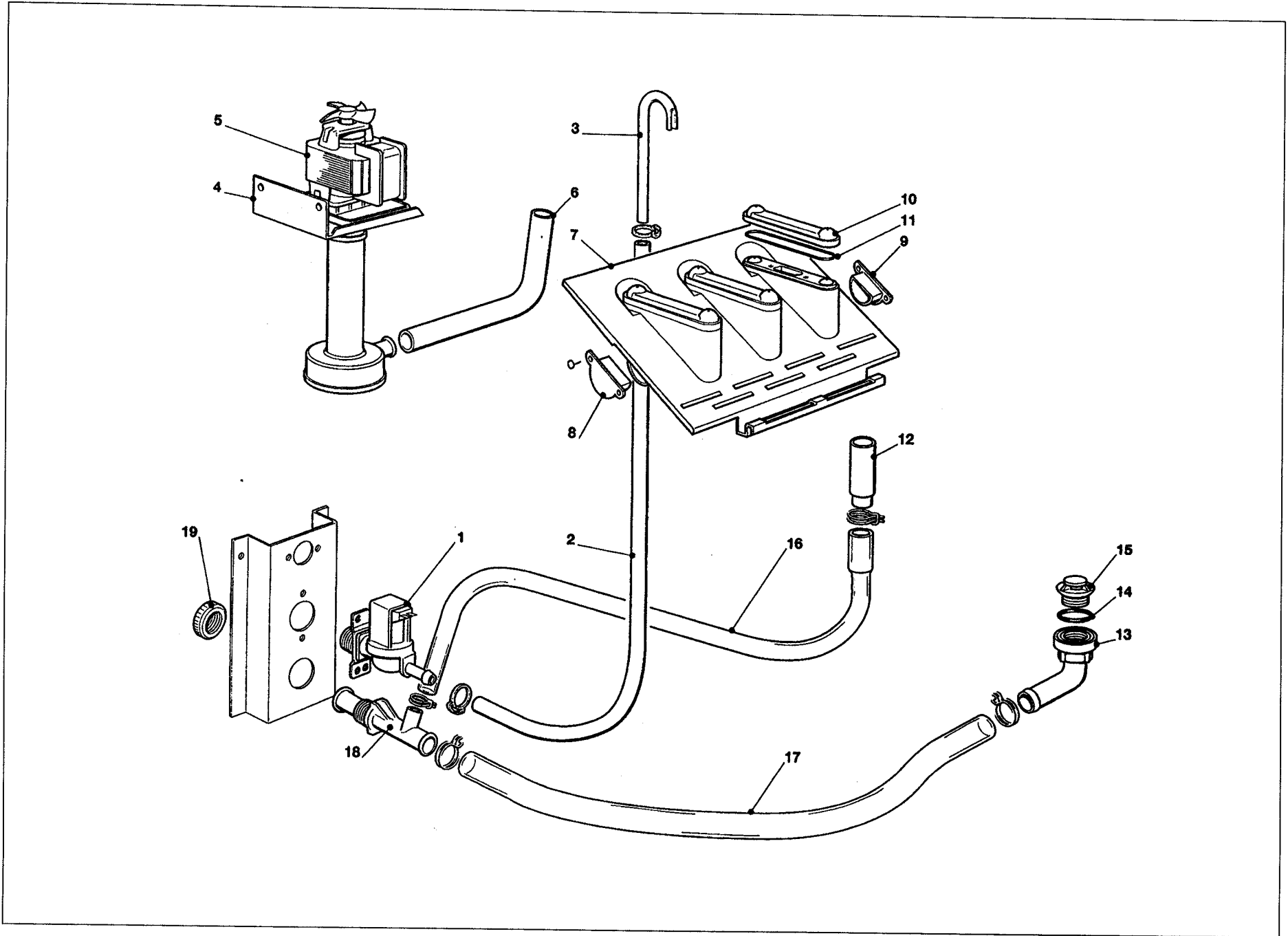
**B 40 - B 65 - B 90 - REFRIGERANT SYSTEM AIR COOLED - SISTEMA REFRIGERANTE RAFFR. AD ARIA  
CIRCUIT FRIGORIFIQUE REFROID. PAR AIR - LUFTGEKÜHLT GEFRIERSYSTEM**

ITEM NO POS NO REP. NO REF. NO	PART NO CODICE REFERENCE TUECK NR			DESCRIPTION	DESCRIZIONE	DESIGNATION	BESCHREIBUNG
	40	65	90				
1	670101 00	670099 02	670099 03	COMPRESSOR ASSY	ASSIEME COMPRESSORE	ENSAMBLE COMPRESSEUR	KOMPRESSOR
5	620058 77	620058 39	620058 42	PROTECTOR	PROTETTORE	PROTECTEUR	SCHUTZGERAT
9	620057 42	620057 44	620057 45	RELAY	RELE	RELAIS	RELAIS
10		620167 01		START CAPACITOR	CONDENSATORE D'AVVIAMENTO	CAPACITE DE DEMARRAGE	START KONDENSATOR
12		650109 00		VALVE BODY	CORPO VALVOLA	CORPS DE VANNE	VENTILGEHAUSE
13		670012 00		VALVE PISTON	PISTONCINO VALVOLA	PISTON	VENTILKOLBEN
14		650106 00		VALVE CAP	CAPPUCCIO VALVOLA	CAPUCHON DE VANNE	VENTILKLAPPE
15	620439 00	620405 00	620440 00	AIR COOLED CONDENSER	CONDENSATORE AD ARIA	CONDENSEUR A AIR	LUFT KONDENSATOR
19	620419 02	620419 02	620419 04	FAN MOTOR	MOTORE VENTILATORE	MOTEUR DU VENTILATEUR	LUFTER MOTOR
20		620419 33		FAN BLADE	VENTOLA	HELICE	FLUEGEL
25		630020 01		MECHANICAL FILTER	FILTRO MECCANICO	FILTRE MECANIQUE	MECHANISCHFILTERN
26	620306 27	620306 27 620306 48	620306 46	HOT GAS VALVE BODY HOT GAS VALVE COIL	CORPO VALVOLA GAS CALDO BOBINA VALVOLA GAS CALDO	CORP VANNE GAZ CHAUD BOBINE VANNE GAZ CHAUD	HEISSGAZ VENTILGEHAUSE HEISSGAZ VENTIL SPULE
27	630003 05	630003 06	630003 06	DRIER	FILTRO DEUMIDIFICATORE	FILTRE DESHYDRATEUR	TROCKNER
28	784256 01 784415 00	784263 07 784263 09	784263 07 784263 09	EVAPORATOR ASSY - M EVAPORATOR ASSY - L	ASSIEME EVAPORATORE - M ASSIEME EVAPORATORE - L	ENSAMBLE EVAPORATEUR - M ENSAMBLE EVAPORATEUR - L	VERDAMPFER - M VERDAMPFER - L
29	784444 04	784444 06	784444 08	SUCTION LINE/ACCUMULATOR	ACCUMUL. E LINEA ASPIRAZIONE	ENS. ASPIRATION/ACCUMULATEUR	SAMMLER UND SAUGLEITUNGEN
*		650694 00		SUCTION SERVICE VALVE	RUBINETTO DI CARICA	ROBINET DE SERVICE	VENTILKÄLTEMITTEL



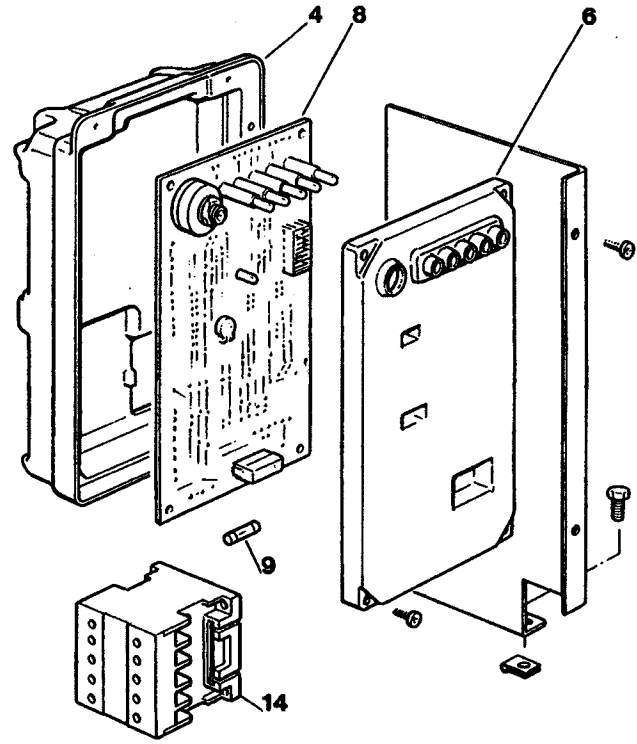
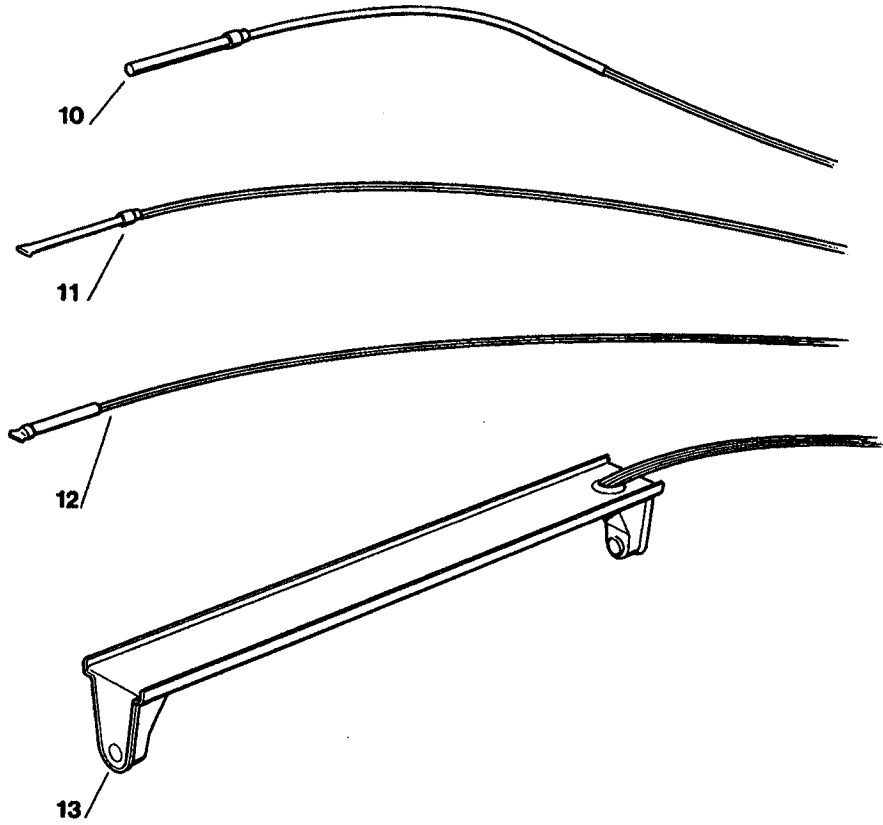
**B 40 - REFRIGERANT SYSTEM WATER COOLED - SISTEMA REFRIGERANTE RAFFR. AD ACQUA  
CIRCUIT FRIGORIFIQUE REFRROID. PAR EAU - WASSERGEKÜHLT GEFRIERSYSTEM**

ITEM NO POS NO REP. NO REF. NO	PART NO CODICE REFERENCE TUECK NR	DESCRIPTION	DESCRIZIONE	DESIGNATION	BESCHREIBUNG
1	670101 00	COMPRESSOR ASSY	ASSIEME COMPRESSORE	ENSAMBLE COMPRESSEUR	KOMPRESSOR
2	620167 01	START CAPACITOR	CONDENSATORE D'AVVIAMENTO	CAPACITE DE DEMARRAGE	START KONDENSATOR
3	620058 77	PROTECTOR	PROTETTORE	PROTECTEUR	SCHUTZGERAT
4	620057 42	RELAY	RELE	RELAIS	RELAIS
5	650109 00	VALVE BODY	CORPO VALVOLA	CORPS DE VANNE	VENTILGEHAUSE
6	670012 00	VALVE PISTON	PISTONCINO VALVOLA	PISTON	VENTILKOLBEN
7	650106 00	VALVE CAP	CAPPUCCIO VALVOLA	CAPUCHON DE VANNE	VENTILKLAPPE
8	620389 00	WATER COOLED CONDENSER	CONDENSATORE AD ACQUA	CONDENSEUR A EAU	WASSER KONDENSATOR
9	620075 00	PRESSURE CONTROL	PRESSOSTATO	PRESSOSTAT	PRESSOSTAT
10	650694 00	SUCTION SERVICE VALVE	RUBINETTO DI CARICA	ROBINET DE SERVICE	VENTILKÄLTEMITTEL
11	630003 05	DRIER	FILTRO DEUMIDIFICATORE	FILTRE DESHYDRATEUR	TROCKNER
12	630020 01	MECHANICAL FILTER	FILTRO MECCANICO	FILTRE MECANIQUE	MECHANISCHFILTERN
13	620306 27 620306 48	HOT GAS VALVE BODY HOT GAS VALVE COIL	CORPO VALVOLA GAS CALDO BOBINA VALVOLA GAS CALDO	CORP VANNE GAZ CHAUD BOBINE VANNE GAZ CHAUD	HEISSGAZ VENTIL GEHAUSE HEISSGAZ VENTIL SPULE
14	784256 01 784415 00	EVAPORATOR ASSY - M EVAPORATOR ASSY - L	ASSIEME EVAPORATORE - M ASSIEME EVAPORATORE - L	ENSAMBLE EVAPORATEUR - M ENSAMBLE EVAPORATEUR - L	VERDAMPFER - M VERDAMPFER - L
15	784444 04	SUCTION LINE/ACCUMULATOR	ACCUMUL. E LINEA ASPIRAZIONE	ENS. ASPIRATION/ACCUMULATEUR	SAMMLER UND SAUGLEITUNGEN
16	281900 01	PLASTIC TUBE-PER METER	TUBO IN PLASTICA-PER METRO	TUYAU EN PLASTIQUE-POUR METER	PLASTIK ROHR-PRO METER
17	281900 01	PLASTIC TUBE-PER METER	TUBO IN PLASTICA-PER METRO	TUYAU EN PLASTIQUE-POUR METER	PLASTIK ROHR-PRO METER
18	650105 51	WATER INLET VALVE	VALVOLA INGRESSO ACQUA	VANNE ARRIVEE EAU	WASSEREINLAUFVENTIL



## B 40 - WATER SYSTEM - CIRCUITO IDRAULICO - CIRCUIT HYDRAULIQUE - WASSERSYSTEM

ITEM NO POS NO REP. NO REF. NO	PART NO CODICE REFERENCE TUECK NR	DESCRIPTION	DESCRIZIONE	DESIGNATION	BESCHREIBUNG
1	650105 50 650105 51	WATER INLET VALVE - AIR COOLED WATER INLET VALVE - WATER COOLED	VALVOLA INGR. ACQUA - RAFF. ARIA VALVOLA INGR. ACQUA - RAFF. ACQUA	VANNE ARRIVEE EAU - REFR. AIR VANNE ARRIVEE EAU - REFR. EAU	WASSEREINLAUFVENTIL - LUFTGEKÜHLT WASSEREINLAUFVENTIL - WASSERGEKÜHLT
2	281900 01	WATER INLET TUBE-PER METER	TUBO INGRESSO ACQUA-PER METRO	TUYAU ARRIVEE EAU-POUR METRE	WASSEREINLAUFROHR-PRO METER
3	NO NBR	COPPER TUBE	TUBO RAME	TUYAU EN CUIVRE	COPPERHOR
4	NO NBR	METAL BRACKET	SUPPORTO IN METALLO	SUPPORT METALLIQUE	METALLTRAEGER
5	620433 00	WATER PUMP ASSY	ASSIEME POMPA	ENSAMBLE POMPE A EAU	WASSER PUMPE
6	610147 00	WATER TUBE - PUMP TO SPRAY SYSTEM	TUBO MANDATA POMPA	TUYAU POMPE PLAQUE D'ARROSAGE	SCHLAUCH PUMPE - SPRUHSYSTEME
7	793129 01 794296 00 R	SPRAY PLATEN ASSY - M SPRAY PLATEN ASSY - L	ASSIEME SPRUZZATORE - M ASSIEME SPRUZZATORE - L	ENS. PLAQUE PULVERISATION EAU - M ENS. PLAQUE PULVERISATION EAU - L	SPRUHSYSTEM EINHEIT - M SPRUHSYSTEM EINHEIT - L
8	660520 03	PLASTIC PLUG - M	TAPPO IN PLASTICA - M	BOUCHON EN PLASTIQUE - M	PLASTIKVERSTOPFEN - M
9	660520 02	PLASTIC PLUG - M	TAPPO IN PLASTICA - M	BOUCHON EN PLASTIQUE - M	PLASTIKVERSTOPFEN - M
10	660519 01 660558 00	PLASTIC COVER - M SPRAY JET - L	COPERCHIO IN PLASTICA - M SPRUZZATORE SINGOLO - L	COUVERCLE EN PLASTIQUE - M GICLEUR - L	PLASTIKDECKEL - M SPRÜNDÜSEN - L
11	640041 20	O RING	GUARNIZIONE O R	JOINT TORIQUE	SIMMER RING
12	744111 00	OVERFLOW STAND PIPE	TUBO TROPPO PIENO	TROP PLEIN	UEBERLAUFROHR
13	660219 01	DRAIN T FITTING	RACCORDO DI SCARICO	RACCORD T D'EVACUATION	T STÜCK
14	640134 00	O RING	GUARNIZIONE O R	JOINT TORIQUE	SIMMER RING
15	660211 01	DRAIN FILTER	FILTRO SCARICO ACQUA	FILTRE EVACUATION EAU	ABFLUSSFILTER
16	610170 02	OVERFLOW DRAIN TUBE	TUBO SCARICO TROPPO PIENO	TUYAU EVAPORATION T.P.	ABFLUSSROHR
17	610148 10	DRAIN TUBE	TUBO SCARICO	TUYAU EVACUATION	ABFLUSSROHR
18	660224 00	DRAIN T FITTING	RACCORDO DI SCARICO	RACCORD T D'EVACUATION	T STÜCK
19	660535 00	PLASTIC RING NUT	GHIERA IN PLASTICA	COLLIER DE SERRAGE EN PLASTIQUE	PLASTIKRING MUTTER



**B 40 - B 65 - B 90 - P.C. BOARD AND SENSOR ASSY - SCHEDA ELETTRONICA E SENSORI**  
**ENS. CARTE ELECTRONIQUE ET DETECTEURS - ELEKTRONISCHE KARTE UND TEMPERATURFUEHLERENHEIT**

ITEM NO POS NO REP. NO REF. NO	PART NO CODICE REFERENCE STUECK NR	DESCRIPTION	DESCRIZIONE	DESIGNATION	BESCHREIBUNG
4	660546 00	CONTROL BOX	SCATOLA ELETTRICA	BOITE ELECTRIQUE	SCHALT SCHRANK
6	660547 01	CONTROL BOX COVER	COPERCHIO SCATOLA ELETTRICA	COUVERCLE BOITE DE COMMANDE	SCHALTSCHRANK DECKEL
8	620403 18 620403 14	P. C. BOARD ASSY RECYCLED PCB	ASSIEME SCHEDA ELETTRONICA SCHEDA EL. RICICLATA	ENSAMBLE CARTE ELECTRONIQUE CARTE ELECTR. RECYCLÉ	GEDRUCKTESCHALTUNG REGENERIERTE PLATINE
9	630015 09 630015 10	FUSE (100 mA) FUSE (16 A)	FUSIBILE (100mA) FUSIBILE (16 A)	FUSIBLE (100mA) FUSIBLE (16 A)	SCHMELZSICHERUNG (100mA) SCHMELZSICHERUNG (16 A)
10	620404 10	EVAPORATOR TEMP. SENSOR	SENSORE TEMP. EVAPORATORE	CAPTEUR TEMP. ÉVAPORATEUR	VERDAMPFERTEMPERATURFUEHLER
11	620404 01	CONDENSER TEMP. SENSOR	SENSORE TEMP. CONDENSATORE	CAPTEUR TEMP. CONDENSEUR	KONDENSATORTEMPERATURFUEHLER
12	620404 02	AMBIENT TEMP. SENSOR	SENSORE TEMP. AMBIENTE	CAPTEUR TEMP. AMBIANCE	RAUMTEMPERATURFUEHLER
13	650674 00	ICE LEVEL CONTROL ASSY	ASS. CONTR. LIVELLO GHIACCIO	ENS. DETECTEUR NIVEAU GLACE	EISNIVEAUFUEHLEREINHEIT
14	630119 02	CONTACTOR - B 65 - 90 ONLY	TELERUTTATORE SOLO B 65 - 90	CONTACTEUR - SEUL B 65 - 90	SCHALTSCHÜTZ - B 65 - 90