

Ice-O-Matic[®]

**SPARE PARTS LIST
CATALOGO RICAMBI
CATALOGUES PIÈCES DÉTACHÉES
ERSATZTEILENKATALOG**

ICEU 045

ICEU 065

ICEU 085

ICEU 105

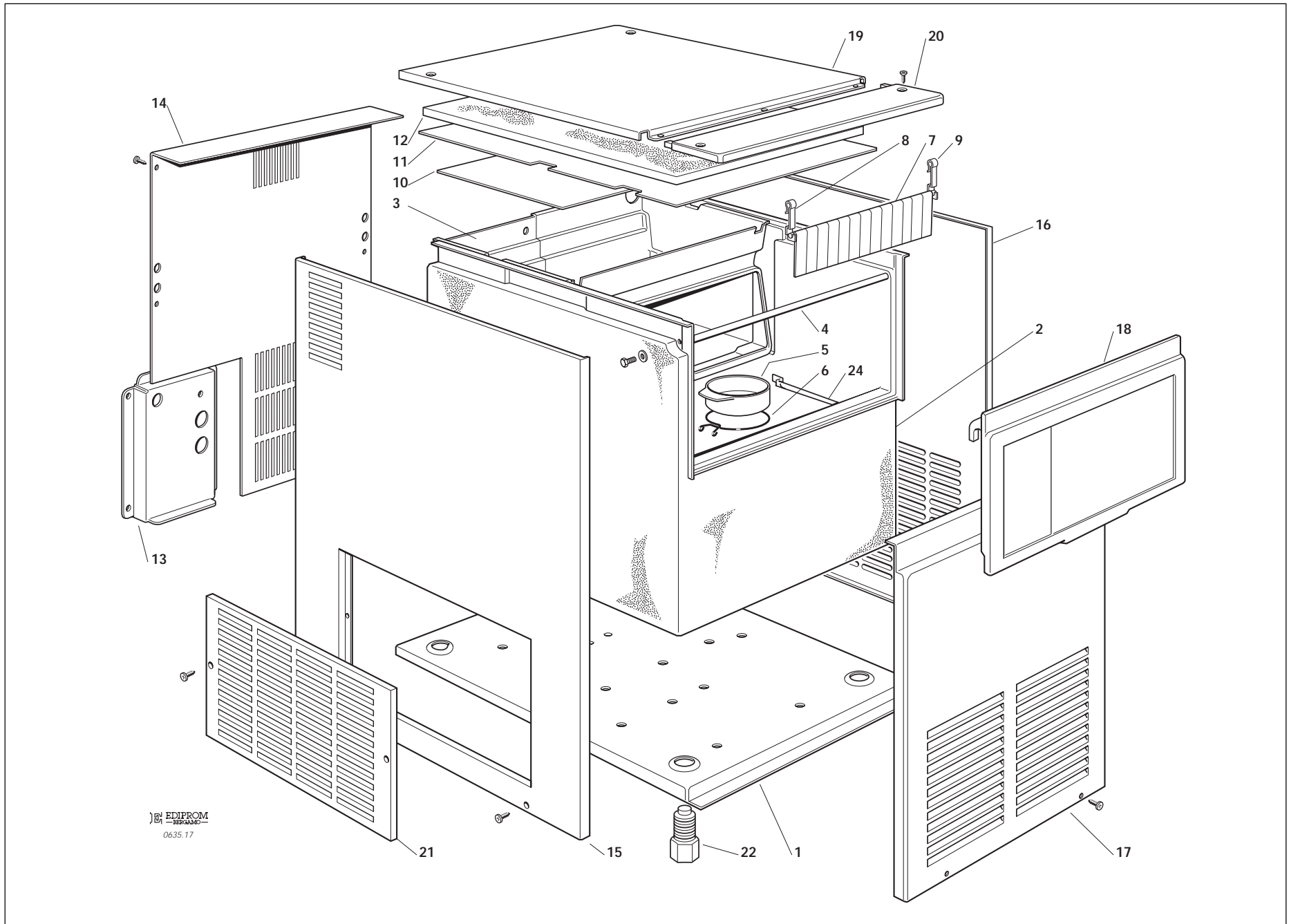
ICEU 145

ICEU 185

R 134 A

**Cubers Ice Makers
Fabbricatori di ghiaccio a cubetti
Machines á glaçons
Kegeleisbereiter**

PAGE PAGINA PAGE SEITE	TABLE OF CONTENTS	INDICE	TABLE DES MATIÈRES	INHALTVERZEICHNIS
1	TABLE OF CONTENTS	INDICE	TABLE DES MATIERES	INHALTVERZEICHNIS
2-3	UNIT PANELS - ICEU 045-065	ASSIEME MOBILE - ICEU 045-065	ENS. CARROSSERIE - ICEU 045-065	MACHINE GEHAUSE - ICEU 045-065
4-5	UNIT PANELS - ICEU 085-105-145-185	ASSIEME MOBILE - ICEU 085-105-145-185	ENS. CARROSSERIE - ICEU 085-105-145-185	MACHINE GEHAUSE - ICEU 085-105-145-185
6-7	REFRIGERANT SYSTEM AIR COOLED - ICEU 045-065-085-105	SISTEMA REFRIGERANTE RAFFR. AD ARIA - ICEU 045-065-085-105	CIRCUIT FRIGORIFIQUE REFROID. A AIR - ICEU 045-065-085-105	GEFRIERSYSTEM LUFTGEKUEHLT - ICEU 045-065-085-105
8-9	REFRIGERANT SYSTEM AIR COOLED - ICEU 145-185	SISTEMA REFRIGERANTE RAFFR. AD ARIA - ICEU 145-185	CIRCUIT FRIGORIFIQUE REFROID. A AIR - ICEU 145-185	GEFRIERSYSTEM LUFTGEKUEHLT - ICEU 145-185
10-11	REFRIGERANT SYSTEM WATER COOLED - ICEU 045-065-085-105	SISTEMA REFRIGERANTE RAFFR. AD ACQUA - ICEU 045-065-085-105	CIRCUIT FRIGORIFIQUE REFROID. A EAU - ICEU 045-065-085-105	GEFRIERSYSTEM WASSERGEKUEHLT - ICEU 045-065-085-105
12-13	REFRIGERANT SYSTEM WATER COOLED - ICEU 145-185	SISTEMA REFRIGERANTE RAFFR. AD ACQUA - ICEU 145-185	CIRCUIT FRIGORIFIQUE REFROID. A EAU - ICEU 145-185	GEFRIERSYSTEM WASSERGEKUEHLT - ICEU 145-185
14-15	WATER SYSTEM - ICEU 045-065	CIRCUITO IDRAULICO - ICEU 045-065	CIRCUIT HYDRAULIQUE - ICEU 045-065	WASSER SYSTEM - ICEU 045-065
16-17	WATER SYSTEM - ICEU 085	CIRCUITO IDRAULICO - ICEU 085	CIRCUIT HYDRAULIQUE - ICEU 085	WASSER SYSTEM - ICEU 085
18-19	WATER SYSTEM - ICEU 105	CIRCUITO IDRAULICO - ICEU 105	CIRCUIT HYDRAULIQUE - ICEU 105	WASSER SYSTEM - ICEU 105
20-21	WATER SYSTEM - ICEU 145-185	CIRCUITO IDRAULICO - ICEU 145-185	CIRCUIT HYDRAULIQUE - ICEU 145-185	WASSER SYSTEM - ICEU 145-185
22-23	CONTROL BOX - ICEU 045-065-085	SCATOLA ELETTRICA - ICEU 045-065-085	BOITE ELECTRIQUE - ICEU 045-065-085	SCHALTSCHRANK - ICEU 045-065-085
24-25	CONTROL BOX - ICEU 105-145-185	SCATOLA ELETTRICA - ICEU 105-145-185	BOITE ELECTRIQUE - ICEU 105-145-185	SCHALTSCHRANK - ICEU 105-145-185



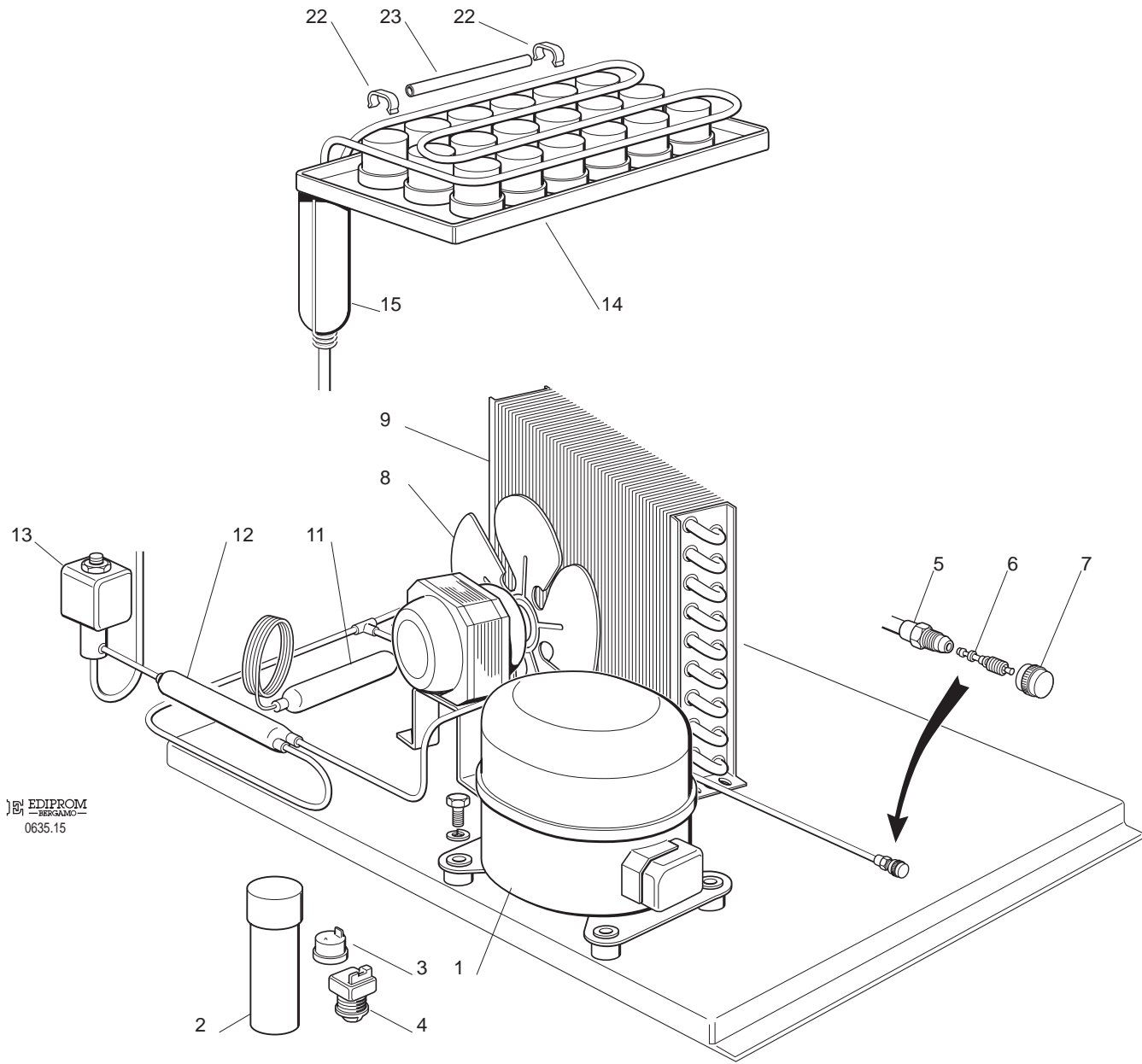
EDIPROM
0635.17

ICEU 045 - 065 - UNIT PANELS - ASSIEME MOBILE - ENS. CARROSSERIE - MACHINE GEHAUSE

ITEM NO POS NO REP. NO REF. NO	PART NO CODICE REFERENCE TUECK NR		DESCRIPTION	DESCRIZIONE	DESIGNATION	BESCHREIBUNG
	ICEU 045	ICEU 065				
1	702360 00	702366 00	UNIT BASE	BASAMENTO	BASEMENT	CHASSIS RAHMEN
2	782099 00R	782099 01R	INSULATED STORAGE BIN	CELLA ISOLATA	CABINE STOCKAGE ISOLEE	ISOLIEREISSPEICHER
3	660750 02		EVAPORATOR HOUSING	INVOLUCRO EVAPORATORE	CUVE ÉVAPORATEUR	VERDAMPFER GEHÄUSE
4	732010 03		DOOR BRACKET	SUPPORTO SPORTELLO	SUPPORTE PORTE CABINE	SPEICHERTUER STIFT
5	66074100		PLASTIC PLUG	TAPPO	BOUCHON	PLASTIK STOPFEN
6	460047 00		SPRING	MOLLA	RESSORT	FEDER
7	784457 06R		CURTAIN ASSY	ASSIEME TENDINA	ENSAMBLE RIDEAU	JALOUSIE
8	660388 00		CURTAIN BRACKET LEFT	SUPPORTO TENDINA SX	SUPPORT RIDEAU GAUCHE	JALOUSIETRAEGER - LINKE
9	660388 01		CURTAIN BRACKET RIGHT	SUPPORTO TENDINA DX	SUPPORT RIDEAU DROITE	JALOUSIETRAEGER RECHT
10	742033 04	742033 05	EVAPORATOR COVER	COPERCHIO EVAPORATORE	COUVERCLE EVAPORATEUR	VERDAMPFERDECKEL
11	660780 00	660781 00	COVER	COPERCHIO	COUVERCLE	DECKEL
12	650868 00	650868 01	UPPER INSULATION	ISOLAMENTO SUPERIORE	ISOLATION SUPERIEUR	ISOLIERUNG
13	702301 00		METAL BRACKET FOR FITTINGS	SUPPORTO ATTACCHI	SUPPORT DE RACCORDS	METALLTRAEGER
14	702362 00	702367 00	REAR PANEL	PANNELLO POSTERIORE	PANNEAU ARRIERE	RUECKWAND
15	721955 00	721957 00	LEFT SIDE PANEL	PANNELLO SX	PANNEAU GAUCHE	LINKE SEITENWAND
16	721954 00	721958 00	RIGHT SIDE PANEL	PANNELLO DX	PANNEAU DROITE	RECHTE SEITENWAND
17	781451 00	781451 01	FRONT PANEL	PANNELLO FRONTALE	PANNEAU AVANT	VORDERWAND
18	782079 55R	782079 56R	BIN DOOR ASSY	ASSIEME SPORTELLO	ENSAMBLE PORTE CABINE	SPEICHERTUER
19	721956 00	721959 00	TOP PANEL	PANNELLO SUPERIORE	PANNEAU SUPERIEURE	ABDECKHAUBE
20	660765 00	660765 01	PLASTIC TOP PLATE	PROFILO IN PLASTICA	PROFIL SUP. EN PLASTIQUE	PLASTIK VORDERTEK
21	702026 03	***	SERVICE PANEL	PANNELLO SERVIZIO	PANNEAU INF. GAUCHE	LINKENUNTERESAUSWAND
22	650382 01		LEGS	PIEDINI	PIEDS	FUESSE
24	732017 02	732017 01	BULB HOLDER	PORTA BULBO	PORTEBULBE	FUEHLERHALTER

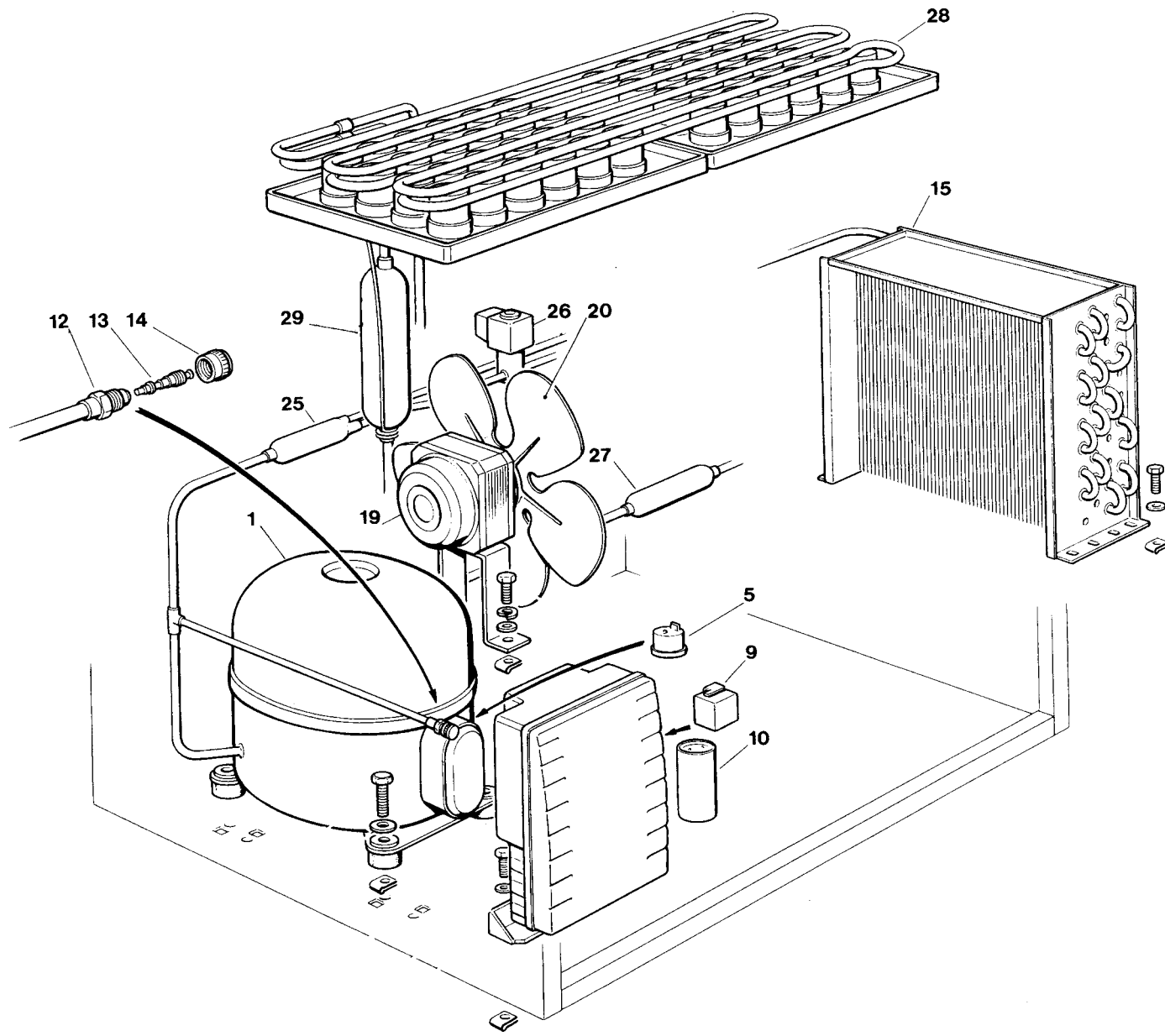
ICEU 085 - 105 - 145 - 185 - UNIT PANELS - ASSIEME MOBILE - ENS. CARROSSERIE - MACHINE GEHAUSE

ITEM NO POS NO REP. NO REF. NO	PART NO CODICE REFERENCE TUECK NR			DESCRIPTION	DESCRIZIONE	DESIGNATION	BESCHREIBUNG
	ICEU 085	ICEU 105	ICEU 145-185				
1	781406 01	781406 10	781406 14	UNIT BASE	BASAMENTO	BASEMENT	CHASSIS RAHMEN
2	660638 00			LEGS	PIEDINI	PIEDS	FUESSE
3	782086 13	782096 11	782096 12	INSULATED STORAGE BIN	CELLA ISOLATA	CABINE STOCKAGE ISOLEE	ISOLIEREISSPEICHER
4	660852 00	660661 03	660661 00	EVAPORATOR HOUSING	INVOLUCRO EVAPORATORE	CUVE ÉVAPORATEUR	VERDAMPFER GEHÄUSE
5	784457 00	784457 04	784457 03	CURTAIN ASSY	ASSIEME TENDINA	ENSAMBLE RIDEAU	JALOUSIE
6	660388 01	***	***	CURTAIN BRACKET	SUPPORTO TENDINA	SUPPORT RIDEAU	JALOUSIETRAEGER
7	724399 00		724395 00	S.S. TOP BRACKET	SUPPORTO IN ACC. INOX	SUPPORT EN ACIER INOX	METALTRAEGER
8	702128 01	702254 01	702412 00	METAL BRACKET	SUPPORTO IN METALLO	SUPPORT	METALLTRÄGER
9	660801 01			DOOR TRACK LEFT	GUIDA SX	GLISSIERE PORTE GAUCHE	RECHTE SPEICHER TUERGLEIT
10	660801 00			DOOR TRACK RIGHT	GUIDA DX	GLISSIERE PORTE DROITE	LINKESPEICHER TUERGLEIT
11	660816 00			SHOCKABSORBER	AMMORTIZZATORE	AMORTISSEUR	STOSSDAEMPFER
12	781451 04	781451 05	781451 06	FRONT PANEL	PANNELLO FRONTALE	PANNEAU AVANT	VORDERWAND
13	782102 16R	782102 17R	782102 21R	BIN DOOR ASSY	ASSIEME SPORTELO	ENSAMBLE PORTE CABINE	SPEICHERTUER
14	660286 00			BUSHING	BUSSOLA	BAGUE	SHAFT LAGER
15	721995 00	722003 00	722006 00	LEFT SIDE PANEL	PANNELLO SX	PANNEAU GAUCHE	LINKE SEITENWAND
16	721994 00	722002 00	722005 00	RIGHT SIDE PANEL	PANNELLO DX	PANNEAU DROITE	RECHTE SEITENWAND
17	702199 00	702249 00	702411 00	REAR PANEL	PANNELLO POSTERIORE	PANNEAU ARRIERE	RUECKWAND
18	702180 00	702248 00	702180 00	METAL BRACKET FOR FITTINGS	SUPPORTO ATTACCHI	SUPPORT DE RACCORDS	METALLTRAEGER
19	784378 04	741075 02	741075 01	EVAPORATOR PLASTIC COVER	COPERCHIO IN PLASTICA	COUVERCLE ÉVAPORATEUR	VERDAMPFER DECKEL
20	741113 54	741113 61	741121 00	STORAGE BIN COVER	COPERCHIO CONTENITORE	COUVERCLE BAC DE STOCKKE	SPEICHERFDECKEL
21	741123 00	741123 02	741122 00	INSULATION	ISOLAMENTO	ISOLATION	ISOLIERUNG
22	721962 00	721965 00	722007 00	TOP PANEL	PANNELLO SUPERIORE	PANNEAU SUPERIEURE	ABDECKHAUBE
23	660768 00		660792 00	PLASTIC TOP PLATE	PROFILO IN PLASTICA	PROFIL SUP. EN PLASTIQUE	PLASTIK VORDERTEK
24	732017 02	732017 01		BULB HOLDER	PORTA BULBO	TUBE PORTE BULBE	FUEHLERHALTER
25	660741 00			PLASTIC PLUG	TAPPO	BOUCHON	PLASTIKSTOPFEN
26	460047 00			SPRING	MOLLA	RESSORT	FEDER



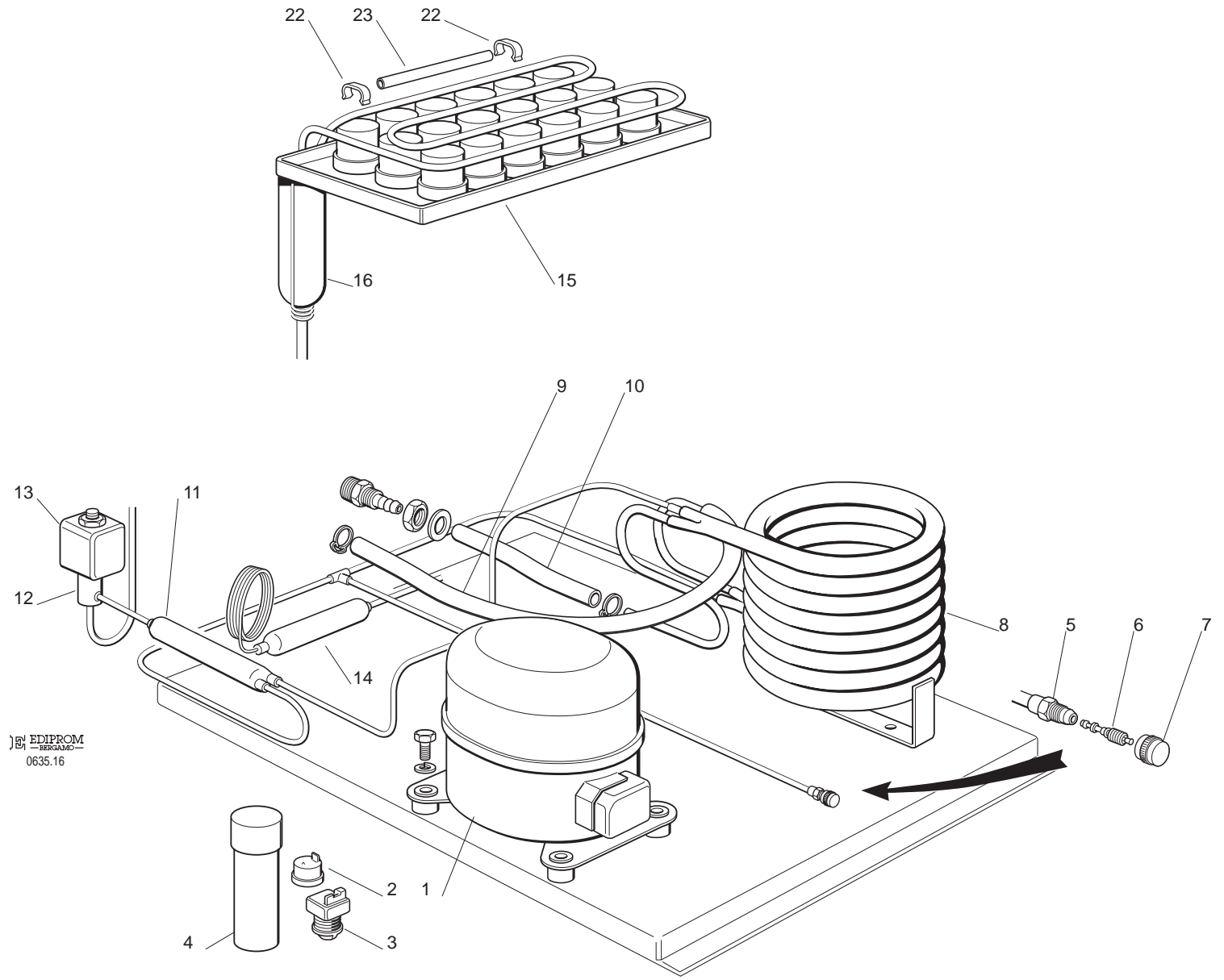
ICEU 045 - 065 - 085 - 105 - REFRIGERANT SYSTEM AIR COOLED - SISTEMA REFRIGERANTE RAFFR. AD ARIA
CIRCUIT FRIGORIFIQUE REFROID. PAR AIR - LUFTGEKÜHLT GEFRIERSYSTEM

ITEM NO POS NO REP. NO REF. NO	PART NO CODICE REFERENCE TUECK NR				DESCRIPTION	DESCRIZIONE	DESIGNATION	BESCHREIBUNG
	ICEU 045	ICEU 065	ICEU 085	ICEU 105				
1	670097 08	670100 00	670100 01		COMPRESSOR ASSY	ASSIEME COMPRESSORE	ENSAMBLE COMPRESSEUR	KOMPRESSOR
2	620167 29				START CAPACITOR	CONDENSATORE D'AVVIAMENTO	CAPACITE DE DEMARRAGE	START KONDENSATOR
3	620058 65	620478 03	620058 67		PROTECTOR	PROTETTORE	PROTECTEUR	SCHUTZGERAT
4	620057 35	620057 31	620057 67		RELAY	RELE	RELAIS	RELAIS
5	650109 00				VALVE BODY	CORPO VALVOLA	CORPS DE VANNE	VENTILGEHAUSE
6	670012 00				VALVE PISTON	PISTONCINO VALVOLA	PISTON	VENTILKOLBEN
7	650106 00				VALVE CAP	CAPPUCCIO VALVOLA	CAPUCHON DE VANNE	VENTILKLAPPE
8	620419 00 620419 32	620419 32	620419 02 620419 33		FAN MOTOR FAN BLADE	MOTORE VENTILATORE VENTOLA	MOTEUR DU VENTILATEUR HELICE	LUFTER MOTOR FLUEGEL
9	620276 02	620420 00	620439 00	620455 00	AIR COOLED CONDENSER	CONDENSATORE AD ARIA	CONDENSEUR A AIR	LUFT KONDENSATOR
11	630003 06		630005 05		DRIER	FILTRO DEUMIDIFICATORE	FILTRE DESHYDRATEUR	TROCKNER
12	630137 00		630137 01		MECHANICAL FILTER	FILTRO MECCANICO	FILTRE MECANIQUE	MECHANISCHFILTERN
13	620306 22 620306 48	630306 27 620306 48	620306 27 620306 48	620306 27 620306 48	HOT GAS VALVE BODY HOT GAS VALVE COIL	CORPO VALVOLA GAS CALDO BOBINA VALVOLA GAS CALDO	CORP VANNE GAZ CHAUD BOBINE VANNE GAZ CHAUD	HEISSGAZ VENTIL GEHAUSE HEISSGAZ VENTIL SPULE
14	784615 00	784622 00	784415 00	784477 01	EVAPORATOR ASSY	ASSIEME EVAPORATORE	ENSAMBLE EVAPORATEUR	VERDAMPFER
15	784444 13	784444 01	784444 14	784444 10	SUCTION LINE/ACCUMULATOR	ACCUMUL. E LINEA ASPIRAZIONE	ENS. ASPIRATION/ACCUMULATEUR	SAMMLER UND SAUGLEITUNGEN
22	660386 00				SPRING	MOLLETTA	RESSORT	FEDER
23	741114 02	741114 01	741114 02	***	BULB HOLDER	TUBO PORTABULBO	TUBE PORTEBULBE	PLASTIK FUEHLERHALTER



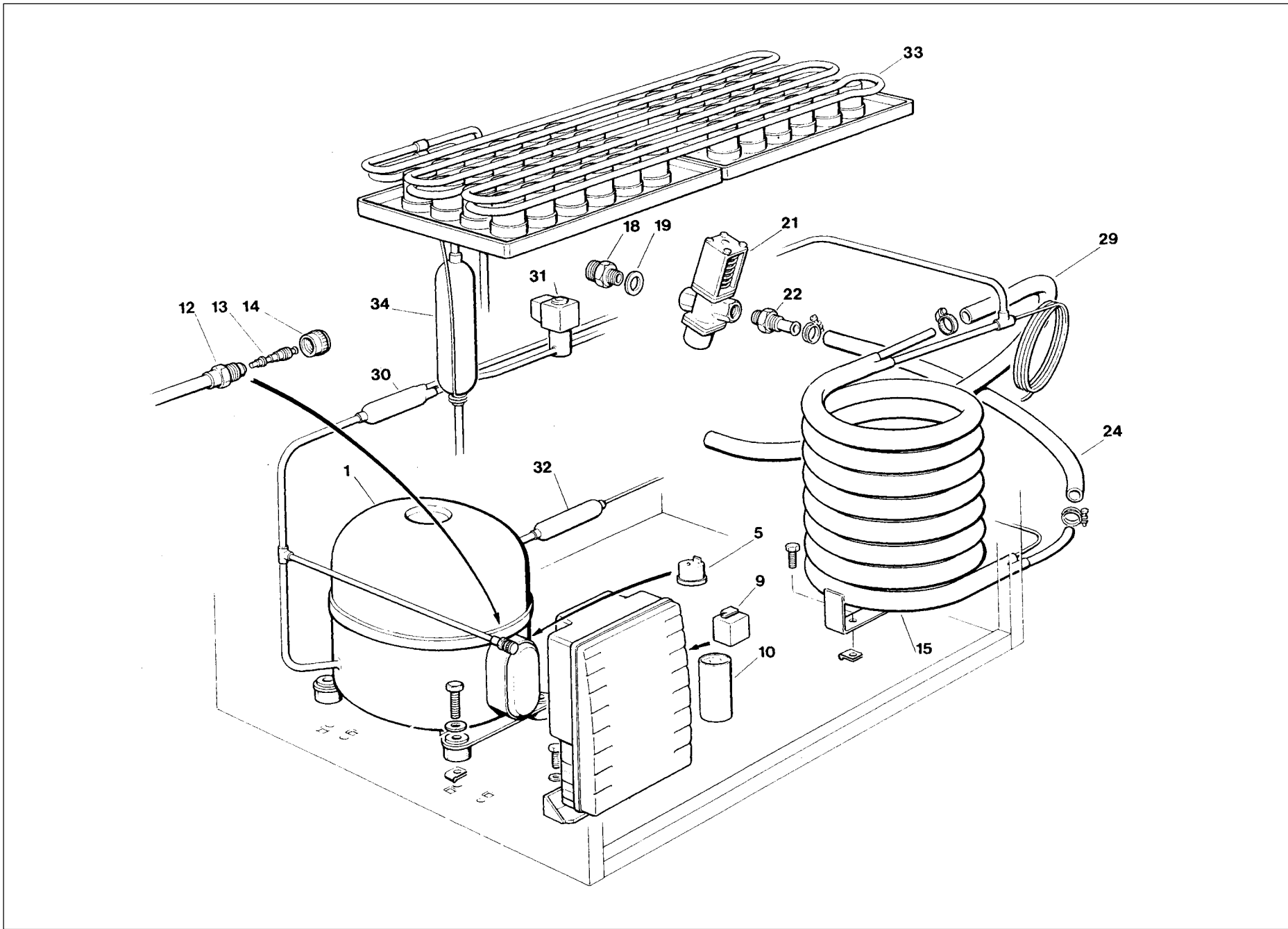
ICEU 145 - 185 - REFRIGERANT SYSTEM AIR COOLED - SISTEMA REFRIGERANTE RAFFR. AD ARIA
CIRCUIT FRIGORIFIQUE REFOID. PAR AIR - LUFTGEKÜHLT GEFRIERSYSTEM

ITEM NO POS NO REP. NO REF. NO	PART NO CODICE REFERENCE TUECK NR		DESCRIPTION	DESCRIZIONE	DESIGNATION	BESCHREIBUNG
	ICEU 145	ICEU 185				
1	670099 02	670099 03	COMPRESSOR ASSY	ASSIEME COMPRESSORE	ENSAMBLE COMPRESSEUR	KOMPRESSOR
5	620058 39	620058 42	PROTECTOR	PROTETTORE	PROTECTEUR	SCHUTZGERAT
9	620057 44	620057 45	RELAY	RELE	RELAIS	RELAIS
10	620167 01		START CAPACITOR	CONDENSATORE D'AVVIAMENTO	CAPACITE DE DEMARRAGE	START KONDENSATOR
12	650109 00		VALVE BODY	CORPO VALVOLA	CORPS DE VANNE	VENTILGEHAUSE
13	670012 00		VALVE PISTON	PISTONCINO VALVOLA	PISTON	VENTILKOLBEN
14	650106 00		VALVE CAP	CAPPUCCIO VALVOLA	CAPUCHON DE VANNE	VENTILKLAPPE
15	620405 00	620440 00	AIR COOLED CONDENSER	CONDENSATORE AD ARIA	CONDENSEUR A AIR	LUFT KONDENSATOR
19	620419 02	620419 04	FAN MOTOR	MOTORE VENTILATORE	MOTEUR DU VENTILATEUR	LUFTER MOTOR
20	620419 33		FAN BLADE	VENTOLA	HELICE	FLUEGEL
25	630020 01		MECHANICAL FILTER	FILTRO MECCANICO	FILTRE MECANIQUE	MECHANISCHFILTERN
26	620306 27 620306 48	620306 46	HOT GAS VALVE BODY HOT GAS VALVE COIL	CORPO VALVOLA GAS CALDO BOBINA VALVOLA GAS CALDO	CORP VANNE GAZ CHAUD BOBINE VANNE GAZ CHAUD	HEISSGAZ VENTILGEHAUSE HEISSGAZ VENTIL SPULE
27	630003 06		DRIER	FILTRO DEUMIDIFICATORE	FILTRE DESHYDRATEUR	TROCKNER
28	784263 09		EVAPORATOR ASSY	ASSIEME EVAPORATORE	ENSAMBLE EVAPORATEUR	VERDAMPFER
29	784444 06	784444 11	SUCTION LINE/ACCUMULATOR	ACCUMUL. E LINEA ASPIRAZIONE	ENS. ASPIRATION/ACCUMULATEUR	SAMMLER UND SAUGLEITUNGEN



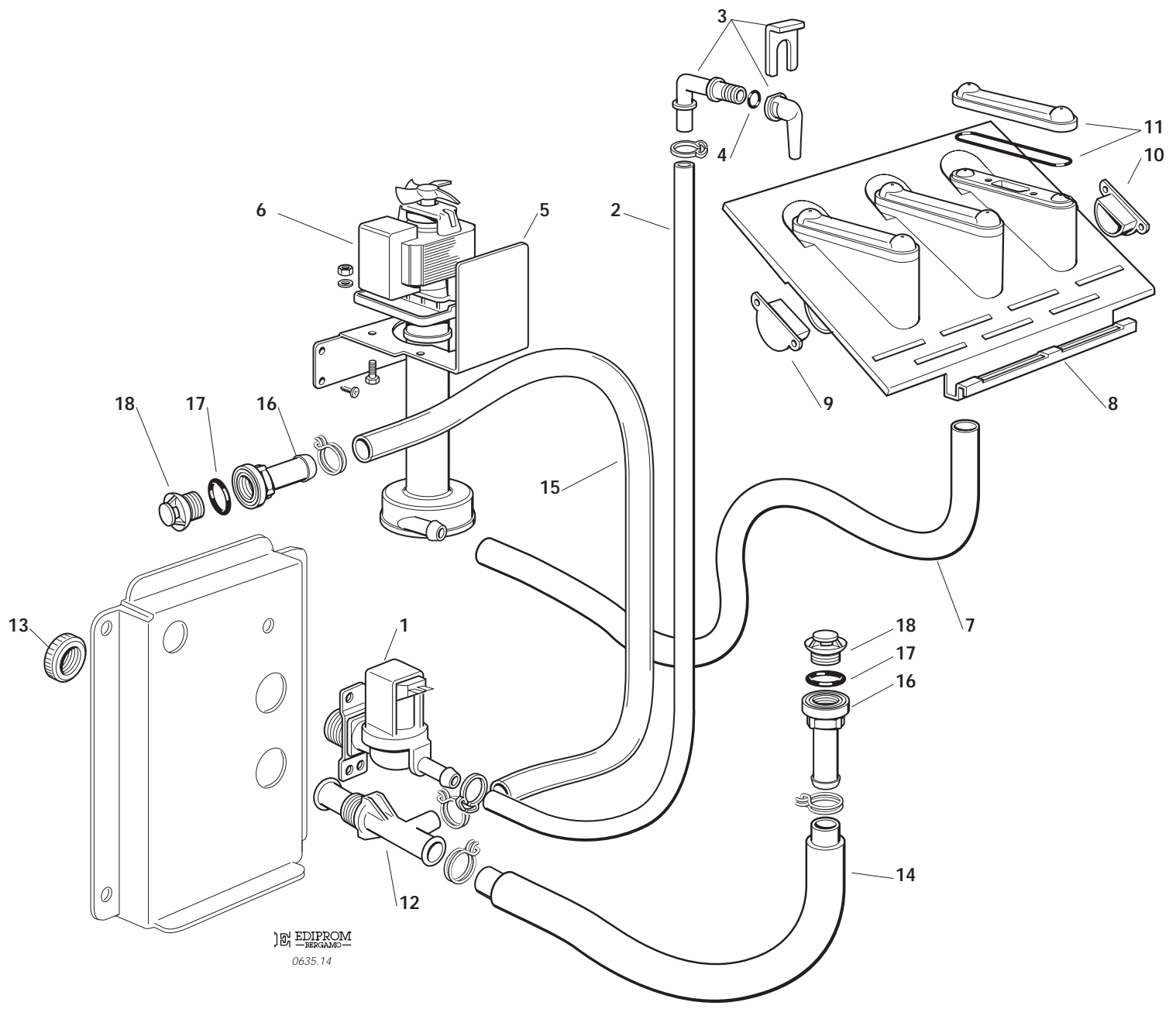
**ICEU 045 - 065 - 085 - 105 - REFRIGERANT SYSTEM WATER COOLED - SISTEMA REFRIGERANTE RAFFR. AD ACQUA
CIRCUIT FRIGORIFIQUE REFRROID. PAR EAU - WASSERGEKÜHLT GEFRIERSYSTEM**

ITEM NO POS NO REP. NO REF. NO	PART NO CODICE REFERENCE TUECK NR				DESCRIPTION	DESCRIZIONE	DESIGNATION	BESCHREIBUNG
	ICEU 045	ICEU 065	ICEU 085	ICEU 105				
1	670097 08	670100 00	670100 01		COMPRESSOR ASSY	ASSIEME COMPRESSORE	ENSAMBLE COMPRESSEUR	KOMPRESSOR
2	620058 65	620478 03	620058 67		PROTECTOR	PROTETTORE	PROTECTEUR	SCHUTZGERAT
3	620057 35	620057 31	620057 67		RELAY	RELE	RELAIS	RELAIS
4	620167 29				START CAPACITOR	CONDENSATORE D'AVVIAMENTO	CAPACITE DE DEMARRAGE	START KONDENSATOR
5	650105 09				VALVE BODY	CORPO VALVOLA	CORPS DE VANNE	VENTILGEHAUSE
6	670012 00				VALVE PISTON	PISTONCINO VALVOLA	PISTON	VENTILKOLBEN
7	650106 00				VALVE CAP	CAPPUCCIO VALVOLA	CAPUCHON DE VANNE	VENTILKLAPPE
8	620389 02	620389 00	620389 00	620389 00	WATER COOLED CONDENSER	CONDENSATORE AD ACQUA	CONDENSEUR A EAU	WASSER KONDENSATOR
9	281900 01	281900 01	281900 01	281900 01	PLASTIC TUBE-PER METER	TUBO IN PLASTICA-PER METRO	TUYAU EN PLASTIQUE-POUR METER	PLASTIK ROHR-PRO METER
10	281900 01	281900 01	281900 01	281900 01	PLASTIC TUBE-PER METER	TUBO IN PLASTICA-PER METRO	TUYAU EN PLASTIQUE-POUR METER	PLASTIK ROHR-PRO METER
11	630137 00		630137 01		MECHANICAL FILTER	FILTRO MECCANICO	FILTRE MECANIQUE	MECHANISCHFILTERN
12	620306 22	630306 27	620306 27	620306 27	HOT GAS VALVE BODY	CORPO VALVOLA GAS CALDO	CORP VANNE GAZ CHAUD	HEISSGAZ VENTIL GEHAUSE
13	620306 48	620306 48	620306 48	620306 48	HOT GAS VALVE COIL	BOBINA VALVOLA GAS CALDO	BOBINE VANNE GAZ CHAUD	HEISSGAZ VENTIL SPULE
14	630003 06		630003 05		DRIER	FILTRO DEUMIDIFICATORE	FILTRE DESHYDRATEUR	TROCKNER
15	784615 00	784622 00	784415 00	784477 01	EVAPORATOR ASSY	ASSIEME EVAPORATORE	ENSAMBLE EVAPORATEUR	VERDAMPFER
16	784444 13	784444 01	784444 14	784444 10	SUCTION LINE/ACCUMULATOR	ACCUMUL. E LINEA ASPIRAZIONE	ENS. ASPIRATION/ACCUMULATEUR	SAMMLER UND SAUGLEITUNGEN
22	660386 00	***			SPRING	MOLLETTA	RESSORT	FEDER
23	741114 02	***			BULB HOLDER	TUBO PORTABULBO	TUBE PORTE BULBE	PLASTIK FUEHLERHALTER



**ICEU 145 - 185 - REFRIGERANT SYSTEM WATER COOLED - SISTEMA REFRIGERANTE RAFFR. AD ACQUA
CIRCUIT FRIGORIFIQUE REFROID. PAR EAU - WASSERGEKÜHLT GEFRIERSYSTEM**

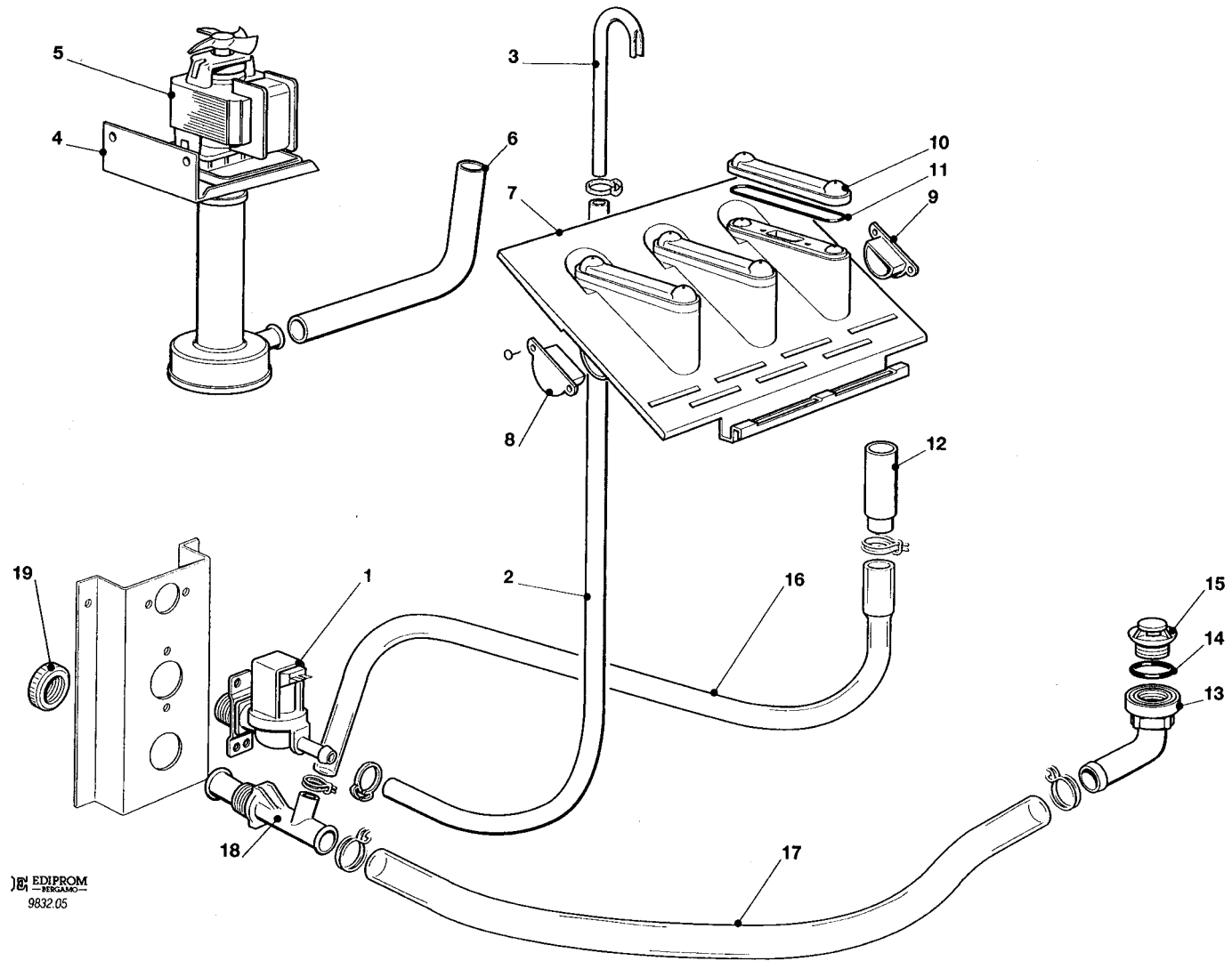
ITEM NO POS NO REP. NO REF. NO	PART NO CODICE REFERENCE STUECK NR		DESCRIPTION	DESCRIZIONE	DESIGNATION	BESCHREIBUNG
	ICEU 145	ICEU 185				
1	670099 02	670099 03	COMPRESSOR ASSY	ASSIEME COMPRESSORE	ENSAMBLE COMPRESSEUR	KOMPRESSOR
5	620058 39	620058 42	PROTECTOR	PROTETTORE	PROTECTEUR	SCHUTZGERAT
9	620057 44	620057 45	START RELAY	RELE DI AVVIAMENTO	RELAIS DE DEMARRAGE	RELAIS
10	620167 01	620167 01	START CAPACITOR	CAPACITA D'AVVIAMENTO	CAPACITE DE DEMARRAGE	START KONDENSATOR
12	650109 00		VALVE BODY	CORPO VALVOLA	CORPS DE VANNE	VENTILGEHAUSE
13	670012 00		VALVE PISTON	PISTONCINO VALVOLA	PISTON	VENTILKOLBEN
14	650106 00		VALVE CAP	CAPPUCCIO VALVOLA	CAPUCHON DE VANNE	VENTILKLAPPE
15	620389 01	620331 00	WATER COOLED CONDENSER	CONDENSATORE AD ACQUA	CONDENSEUR A EAU	WASSERGEKÜHLT KONDENSATOR
18	400053 00		NUT	DADO	ECROU	MUTTER
19	400052 00		FIBER WASHER	RONDELLA IN FIBRA	RONDELLE EN FIBRE	FIBER SCHEIBE
21	620111 00		WATER REGULATING VALVE	VALVOLA PRESSOSTATICA	VANNE A EAU PRESSOSTATIQUE	WASSERREGLERVENTIL
22	733094 03		REGULATING VALVE OUTLET FITTING	RACCORDO USCITA VALVOLA PRESS.	RACCORD SORTIE VANNE PRESS.	WASSERREGLER ABFLUSSTUECK
24	281900 01		PLASTIC TUBE-PER METER	TUBO IN PLASTICA-PER METRO	TUYAU EN PLASTIQUE-POUR METRE	PLASTIK ROHR-PRO METER
29	281900 01		PLASTIC TUBE-PER METER	TUBO IN PLASTICA-PER METRO	TUYAU EN PLASTIQUE-POUR METRE	PLASTIK ROHR-PRO METER
30	630020 01		MECHANICAL FILTER	FILTRO MECCANICO	FILTRE MECHANIQUE	MECHANISCH FILTERN
31	620306 27 620306 48	620306 46	HOT GAS VALVE BODY HOT GAS VALVE COIL	CORPO VALVOLA GAS CALDO BOBINA VALVOLA GAS CALDO	CORP VANNE GAZ CHAUD BOBINE VANNE GAZ CHAUD	HEISSGAZ VENTIL GEHÄUSE HEISSGAZ VENTIL SPULE
32	620003 06		DRIER	FILTRO DEUMIDIFICATORE	FILTRE DESHYDRATEUR	TROCKNER
33	784263 09		EVAPORATOR ASSY	ASSIEME EVAPORATORE	ENSAMBLE ÉVAPORATEUR	VERDAMPFEREINHEIT
34	784444 06	784444 11	SUCTION LINE/ACCUMULATOR	ACCUMUL. E LINEA ASPIRAZIONE	ENS. ASPIRATION/ACCUMULATEUR	SAMMLER UND SAUGLEITUNGEN



EDIPROM
BERGAMO
0635.14

ICEU 045 - 065 - WATER SYSTEM - CIRCUITO IDRAULICO - CIRCUIT HYDRAULIQUE - WASSERSYSTEM

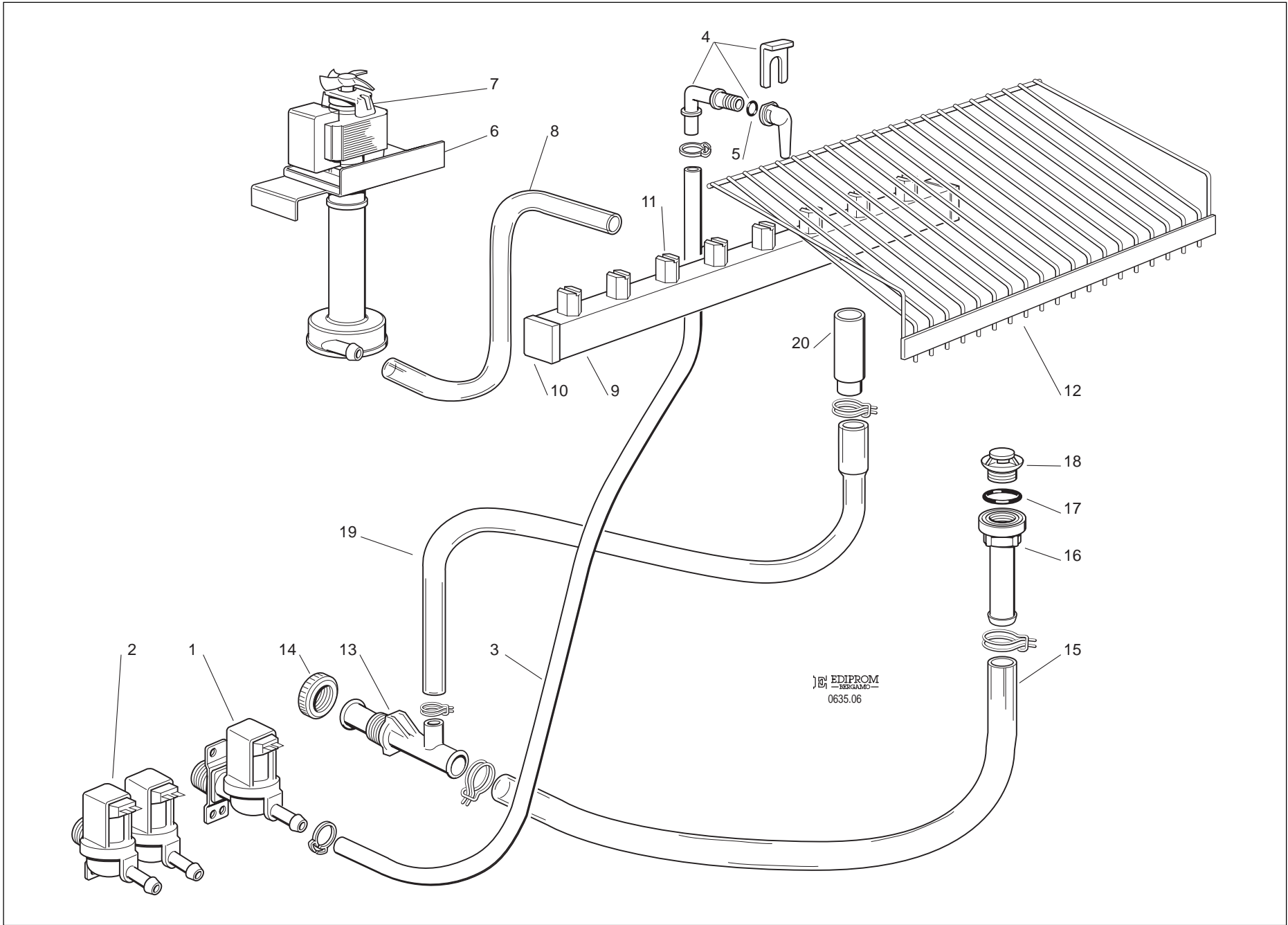
ITEM NO POS NO REP. NO REF. NO	PART NO CODICE REFERENCE TUECK NR	DESCRIPTION	DESCRIZIONE	DESIGNATION	BESCHREIBUNG
1	650105 64 650105 68	WATER INLET VALVE - AIR COOLED WATER INLET VALVE - WATER COOLED	VALVOLA INGR. ACQUA - RAFF. ARIA VALVOLA INGR. ACQUA - RAFF. ACQUA	VANNE ARRIVEE EAU - REFR. AIR VANNE ARRIVEE EAU - REFR. EAU	WASSEREINLAUFVENTIL - LUFTGEKÜHLT WASSEREINLAUFVENTIL - WASSERGEKÜHLT
2	281900 01	WATER INLET TUBE-PER METER	TUBO INGRESSO ACQUA-PER METRO	TUYAU ARRIVEE EAU-POUR METRE	WASSEREINLAUFROHR-PRO METER
3	793172 00R	WATER INLET FITTING	ASS. ENTRATA ACQUA	ENS. ENTRÉE COUDÉE	ABGEWINKELTES ZULAUFROHR
4	640041 31	O RING	GUARNIZIONE OR	JOIN TORIQUE	SIMMER RING
5	721893 00	METAL BRACKET	SUPPORTO IN METALLO	SUPPORT METALLIQUE	METALLTRAEGER
6	620423 00	WATER PUMP ASSY	ASSIEME POMPA	ENSAMBLE POMPE A EAU	WASSER PUMPE
7	610204 01	WATER TUBE - PUMP TO SPRAY SYSTEM	TUBO MANDATA POMPA	TUYAU POMPE PLAQUE D'ARROSAGE	SCHLAUCH PUMPE - SPRUHSYSTEME
8	793129 01	SPRAY PLATEN ASSY	ASSIEME SPRUZZATORE	ENS. PLAQUE PULVERISATION EAU	SPRUHSYSTEM EINHEIT
9	660520 07	PLASTIC PLUG	TAPPO IN PLASTICA	BOUCHON EN PLASTIQUE	PLASTIKVERSTOPFEN
10	660520 06	PLASTIC PLUG	TAPPO IN PLASTICA	BOUCHON EN PLASTIQUE	PLASTIKVERSTOPFEN
11	060529 01	PLASTIC COVER KIT	KIT COPERCHIO IN PLASTICA	KIT COUVERCLE EN PLASTIQUE	PLASTIKDECKEL KIT
12	660224 00	DRAIN T FITTING	RACCORDO DI SCARICO	RACCORD T D'EVACUATION	T STÜCK
13	660535 00	PLASTIC RING NUT	GHIERA IN PLASTICA	COLLIER DE SERRAGE EN PLASTIQUE	PLASTIKRING MUTTER
14	610148 17	DRAIN TUBE	TUBO SCARICO	TUYAU EVACUATION	ABFLUSSROHR
15	610204 00	TUBE	TUBO	TUYAU	SCHLAUCH
16	660219 02	BIN DRAIN	RACCORDO	RACCORD	ABFLUSSROHR
17	640134 00	O RING	GUARNIZIONE O RING	JOIN T	SIMMER RING
18	660211 01	DRAIN FILTER	RACCORDO	FILTRE	ABFLUSSFILTER



EDIPROM
BERGAMO
9832.05

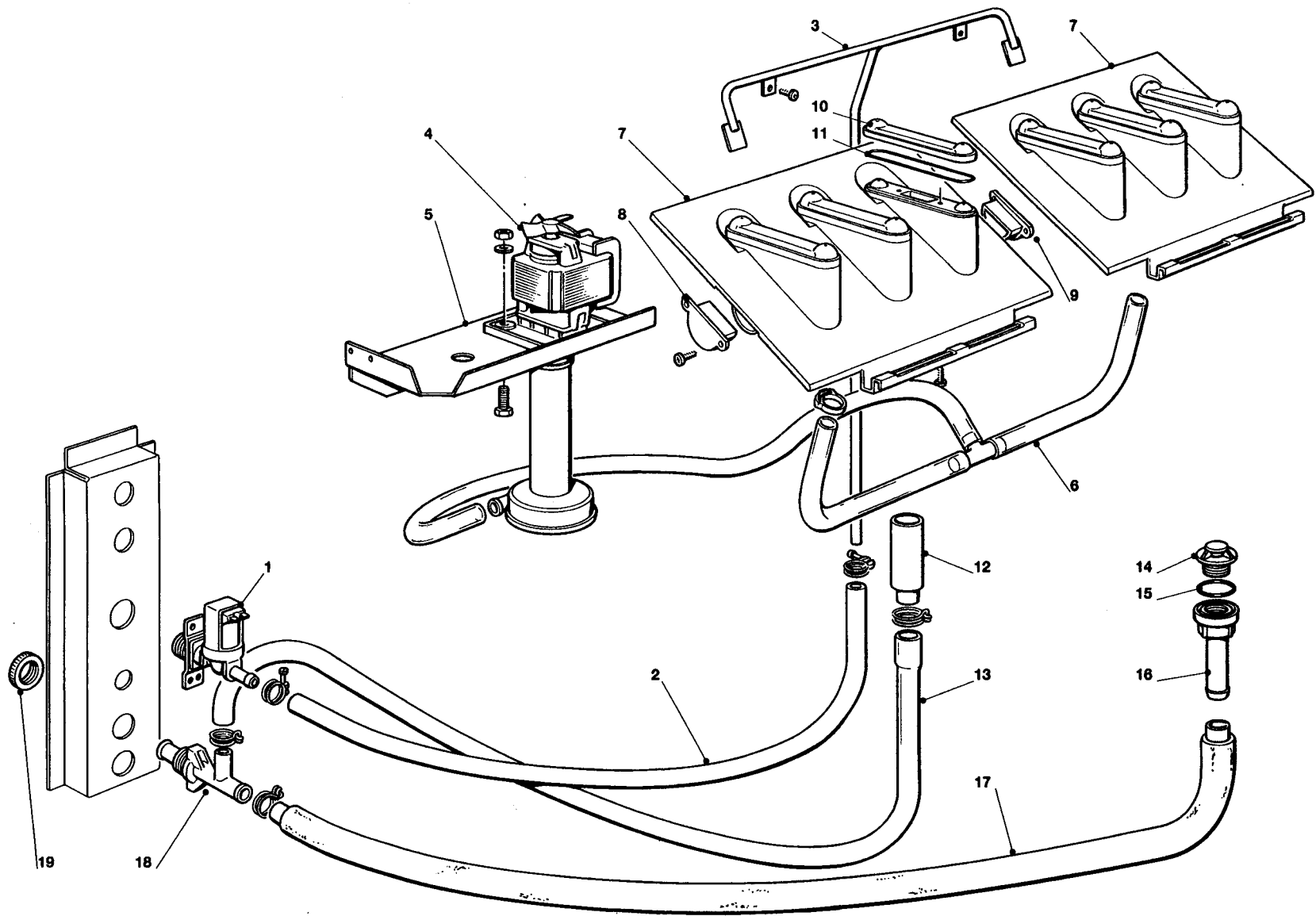
ICEU 085 - WATER SYSTEM - CIRCUITO IDRAULICO - CIRCUIT HYDRAULIQUE - WASSERSYSTEM

ITEM NO POS NO REP. NO REF. NO	PART NO CODICE REFERENCE TUECK NR	DESCRIPTION	DESCRIZIONE	DESIGNATION	BESCHREIBUNG
1	650105 50 650105 51	WATER INLET VALVE - AIR COOLED WATER INLET VALVE - WATER COOLED	VALVOLA INGR. ACQUA - RAFF. ARIA VALVOLA INGR. ACQUA - RAFF. ACQUA	VANNE ARRIVEE EAU - REFR. AIR VANNE ARRIVEE EAU - REFR. EAU	WASSEREINLAUFVENTIL - LUFTGEKÜHLT WASSEREINLAUFVENTIL - WASSERGEKÜHLT
2	281900 01	WATER INLET TUBE-PER METER	TUBO INGRESSO ACQUA-PER METRO	TUYAU ARRIVEE EAU-POUR METRE	WASSEREINLAUFROHR-PRO METER
3	NO NBR	COPPER TUBE	TUBO RAME	TUYAU EN CUIVRE	COPPERHOR
4	723080 00	METAL BRACKET	SUPPORTO IN METALLO	SUPPORT METALLIQUE	METALLTRAEGER
5	620433 00 620433 01	WATER PUMP ASSY - 230/50/1 WATER PUMP ASSY - 230/60/1	ASSIEME POMPA - 230/50/1 ASSIEME POMPA - 230/60/1	ENSAMBLE POMPE A EAU - 230/50/1 ENSAMBLE POMPE A EAU - 230/60/1	WASSER PUMPE - 230/50/1 WASSER PUMPE - 230/60/1
6	610147 00	WATER TUBE - PUMP TO SPRAY SYSTEM	TUBO MANDATA POMPA	TUYAU POMPE PLAQUE D'ARROSAGE	SCHLAUCH PUMPE - SPRUHSYSTEME
7	793129 01	SPRAY PLATEN ASSY	ASSIEME SPRUZZATORE	ENS. PLAQUE PULVERISATION EAU	SPRUHSYSTEM EINHEIT
8	660520 03	PLASTIC PLUG	TAPPO IN PLASTICA	BOUCHON EN PLASTIQUE	PLASTIKVERSTOPFEN
9	660520 02	PLASTIC PLUG	TAPPO IN PLASTICA	BOUCHON EN PLASTIQUE	PLASTIKVERSTOPFEN
10	660519 01	PLASTIC COVER	COPERCHIO IN PLASTICA	COUVERCLE EN PLASTIQUE	PLASTIKDECKEL
11	640041 20	O RING	GUARNIZIONE O R	JOINT TORIQUE	SIMMER RING
12	744111 00	OVERFLOW STAND PIPE	TUBO TROPPO PIENO	TROP PLEIN	UEBERLAUFROHR
13	660219 01	DRAIN FITTING	RACCORDO DI SCARICO	RACCORD D'EVACUATION	STÜCK
14	640134 00	O RING	GUARNIZIONE OR	JOIN TORIQUE	SIMMER RING
15	660211 01	DRAIN FILTER	FILTRO SCARICO ACQUA	FILTRE EVACUATION EAU	ABFLUSSFILTER
16	610170 02	OVERFLOW DRAIN TUBE	TUBO SCARICO TROPPO PIENO	TUYAU EVAPORATION T.P.	ABFLUSSROHR
17	610148 10	DRAIN TUBE	TUBO SCARICO	TUYAU EVACUATION	ABFLUSSROHR
18	660224 00	DRAIN T FITTING	RACCORDO DI SCARICO	RACCORD T D'EVACUATION	T STÜCK
19	660535 00	PLASTIC RING NUT	GHIERA IN PLASTICA	COLLIER DE SERRAGE EN PLASTIQUE	PLASTIKRING MUTTER



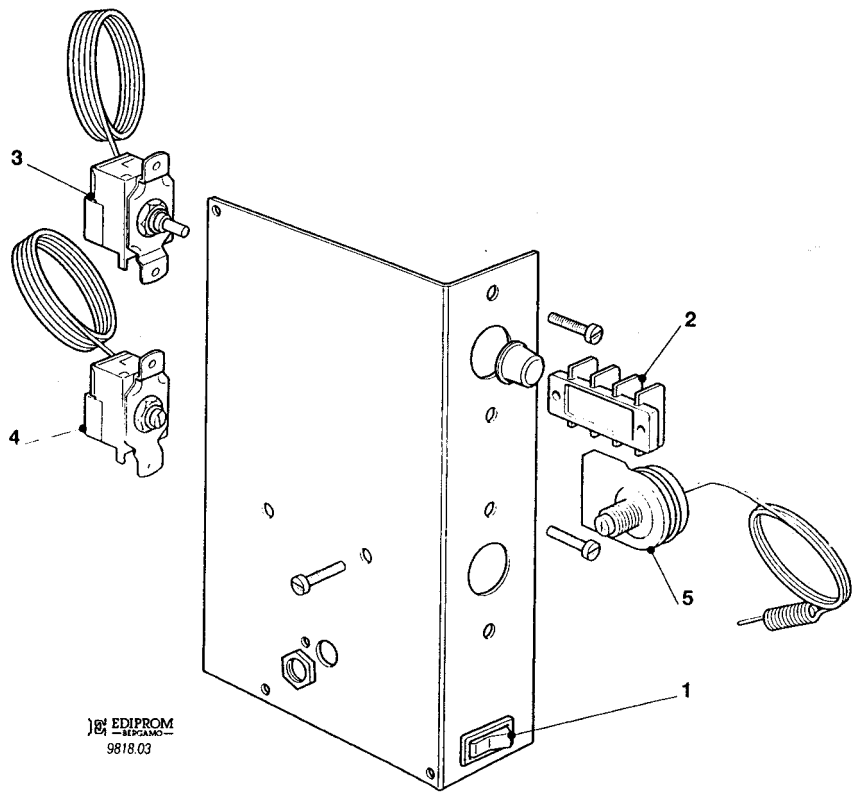
ICEU 105 - WATER SYSTEM - CIRCUITO IDRAULICO - CIRCUIT HYDRAULIQUE - WASSERSYSTEM

ITEM NO POS NO REP. NO REF. NO	PART NO CODICE REFERENCE STUECK NR	DESCRIPTION	DESCRIZIONE	DESIGNATION	BESCHREIBUNG
1	650105 50	WATER INLET VALVE - AIR COOLED	VALVOLA INGR. ACQUA - RAFF. ARIA	VANNE ARRIVEE EAU - REFR. AIR	WASSEREINLAUFVENTIL - LUFTGEKÜHLT
2	650105 51	WATER INLET VALVE - WATER COOLED	VALVOLA INGR. ACQUA - RAFF. ACQUA	VANNE ARRIVEE EAU - REFR. EAU	WASSEREINLAUFVENTIL - WASSERGEKÜHLT
3	281900 01	WATER INLET TUBE-PER METER	TUBO INGRESSO ACQUA-PER METRO	TUYAU ARRIVEE EAU-POUR METRE	WASSEREINLAUFROHR-PRO METER
4	793172 00R	WATER INLET FITTING	ASS. ENTRATA ACQUA	ENS. ENTRÉE COUDÉE	ABGEWINKELTES ZULAUFROHR
5	640041 31	O RING	GUARNIZIONE OR	JOIN TORQUE	SIMMER RING
6	724407 00	METAL BRACKET	SUPPORTO IN METALLO	SUPPORT METALLIQUE	METALLTRAEGER
7	620433 00	WATER PUMP ASSY	ASSIEME POMPA	ENSAMBLE POMPE A EAU	WASSER PUMPE
8	610150 03	WATER TUBE - PUMP TO SPRAY SYSTEM	TUBO MANDATA POMPA	TUYAU POMPE PLAQUE D'ARROSAGE	SCHLAUCH PUMPE - SPRUHSYSTEME
9	650665 24	WATER DISTRIBUTOR TUBE	TUBO DISTRIBUTORE ACQUA	TUYAU DISTRIBUTEUR EAU	WASSERVERTEILE RROHR
10	660557 00	SPRAY PLUG	TAPPO	BOUCHON RAMPE	STOPFEN
11	660558 00	SPRAY JET	UGELLO SPRUZZATORE	BOUCHON EN PLASTIQUE GICLEUR	SPÜHDÜSEN
12	650741 00	CUBE DEFLECTOR	GRIGLIA CUBETTI	GLISSIERE GLACONS	ABGLEITGRILL
13	660224 00	DRAIN T FITTING	RACCORDO DI SCARICO	RACCORD T D'EVACUATION	T STÜCK
14	660535 00	PLASTIC RING NUT	GHIERA IN PLASTICA	COLLIER DE SERRAGE EN PLASTIQUE	PLASTIKRING MUTTER
15	610148 10	TUBE	TUBO	TUYAU	ABFLUSSROHR
16	660219 01	BIN DRAIN	RACCORDO DI SCARICO	RACCORD DE EVACUATION	ABFLUSSROHR
17	640134 00	O RING	GUARNIZIONE OR	JOIN TORQUE	SIMMER RING
18	660211 01	DRAIN FILTER	RACCORDO	RACCORD	ABFLUSSFILTER
19	610191 02	DRAIN TUBE	TUBO SCARICO	TUYAU EVACUATION	ABFLUSSROHR
20	660698 02	OVERFLOW STAND PIPE	TUBO TROPPO PIENO	TROP PLEIN	UEBERLAUFROHR



ICEU 145 - 185 - WATER SYSTEM - CIRCUITO IDRAULICO - CIRCUIT HYDRAULIQUE - WASSERSYSTEM

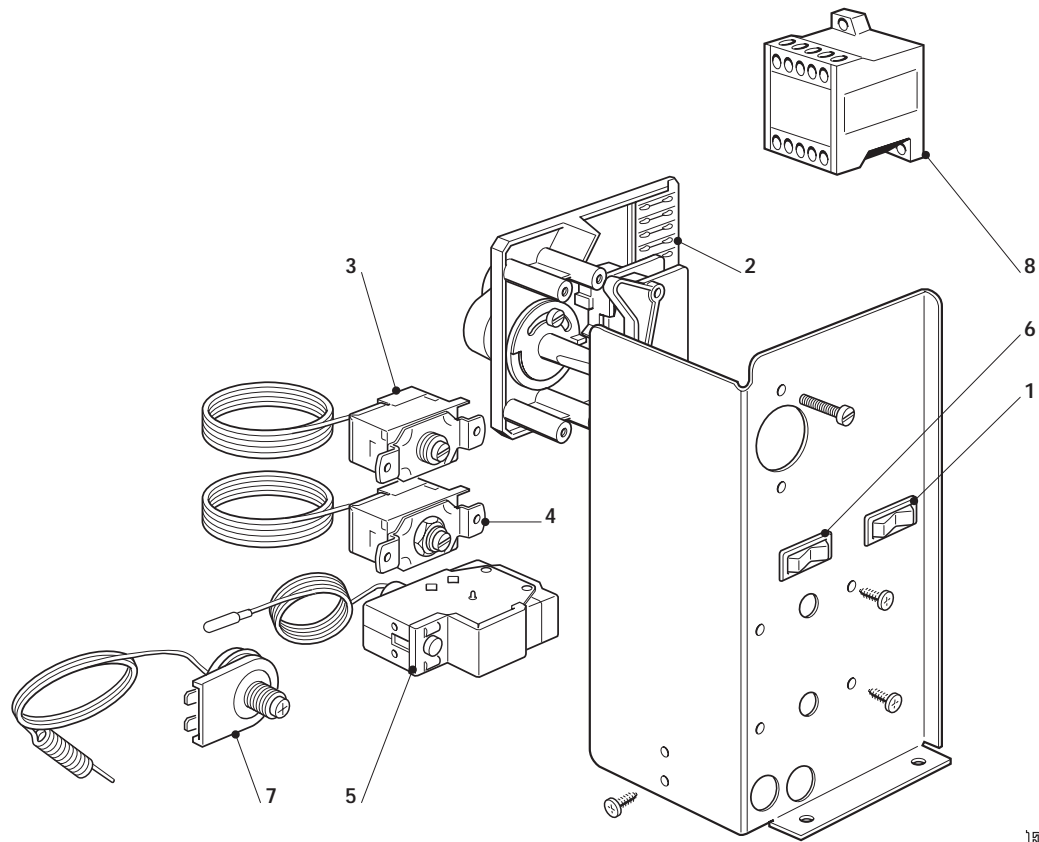
ITEM NO POS NO REP. NO REF. NO	PART NO CODICE REFERENCE STUECK NR	DESCRIPTION	DESCRIZIONE	DESIGNATION	BESCHREIBUNG
1	650105 52	WATER INLET VALVE	VALVOLA INGRESSO ACQUA	VANNE ARRIVÉE D'EAU	WASSEREINLAUFVENTIL
2	281900 01	WATER INLET TUBE-PER METER	TUBO INGRESSO ACQUA-PER METRO	TUYAU ARRIVÉE D'EAU-POUR METRE	WASSEREINLAUFROHR-PRO METER
3	783170 01	WATER DISTRIBUTOR TUBE	TUBO DISTRIBUTORE D'ACQUA	TUYAU DISTRIBUTEUR EAU	WASSERVERTEILERROHR
4	620430 03 620430 05	WATER PUMP ASSY - 230/50/1 WATER PUMP ASSY - 230/60/1	ASSIEME POMPA - 230/50/1 ASSIEME POMPA - 230/60/1	ENSAMBLE POMPE A EAU - 230/50/1 ENSAMBLE POMPE A EAU - 230/60/1	WASSER PUMPE - 230/50/1 WASSER PUMPE - 230/60/1
5	723157 00	PUMP MOTOR BRACKET	SUPPORTO POMPA	SUPPORT METALLIQUE POMPE	PUMPENTRÄGER
6	610186 01	WATER TUBE - PUMP TO SPRAY SYSTEM	TUBO MANDATA POMPA	TUYAU - POMPE PLAQUE D'ARROSAGE	SCHLAUCH PUMPE - SPRUHSYSTEM
7	793129 01	SPRAY PLATEN ASSY	ASSIEME PIASTRA SPRUZZANTE	ENS. PLAQUE PULVERISATION EAU	SPRUHSYSTEM EINHEIT
8	660520 03	PLASTIC PLUG	TAPPO IN PLASTICA	BOUCHON EN PLASTIQUE	PLASTIK VERSTOPFEN
9	660520 02	PLASTIC PLUG	TAPPO IN PLASTICA	BOUCHON EN PLASTIQUE	PLASTIK VERSTOPFEN
10	660519 01	PLASTIC COVER	COPERCHIO IN PLASTICA	COUVERCLE EN PLASTIQUE	PLASTIK DECKEL
11	640041 20	O RING	GUARNIZIONE OR	JOINT TORIQUE	SIMMER RING
12	281720 06	OVERFLOW STAND PIPE	TUBO TROPPO PIENEO	TUYAU TROP PLEIN	UEBERLAUFROHR
13	610176 01	DRAIN TUBE - OVERFLOW	TUBO SCARICO T. P.	TUYAU EVACUATION T. P.	ABFLUSSROHR
14	660211 01	DRAIN FILTER	FILTRO SCARICO ACQUA	FILTRE EVACUATION EAU	ABFLUSSFILTER
15	640134 00	O RING	GUARNIZIONE O R	JOINT TORIQUE	SIMMER RING
16	660219 01	DRAIN FITTING	RACCORDO DI SCARICO	RACCORD EVACUATION	ABFLUSSROHR
17	610148 10	WATER DRAIN TUBE	TUBO SCARICO ACQUA	TUYAU ÉVACUATION EAU	ABFLUSSROHR
18	660224 00	DRAIN T FITTING	RACCORDO DI SCARICO	RACCORD T D'EVACUATION	T STÜCK
19	660535 00	PLASTIC RING NUT	GHIERA IN PLASTICA	COLLIER DE SERRAGE EN PLASTIQUE	PLASTICK RING MUTTER



EDIPROM
—REPTRANS—
9818.03

ICEU 045 - 065 - 085 - CONTROL BOX - SCATOLA DI CONTROLLO - BOITE ELECTRIQUE - SCHALTSCHRANK

ITEM NO POS NO REP. NO REF. NO	PART NO CODICE REFERENCE STUECK NR	DESCRIPTION	DESCRIZIONE	DESIGNATION	BESCHREIBUNG
1	620442 01	SWITCH	INTERRUTTORE	INTERRUPTEUR	SCHALTER
2	630114 01	TERMINAL BOARD	MORSETTIERA	BORNIER	KLAMMERNSPLETTE
3	620264 11	EVAPORATOR THERMOSTAT	TERMOSTATO EVAPORATORE	THERMOSTAT EVAPORATEUR	VERDAMPFERTHERMOSTAT
4	620209 00	BIN THERMOSTAT	TERMOSTATO CONTENITORE	THERMOSTAT CONTENEUR	BEHÄLTER THERMOSTAT
5	620443 00	THERMOSTAT - SAFETY	TERMOSTATO DI SICUREZZA	THERMOSTAT DE SECURITÉ	SICHERHEITSTHERMOSTAT



EDIPROM
—REPAIR—
0009.01

ICEU 105 - 145 - 185 - CONTROL BOX - SCATOLA DI CONTROLLO - BOITE ELECTRIQUE - SCHALTSCHRANK

ITEM NO POS NO REP. NO REF. NO	PART NO CODICE REFERENCE STUECK NR		DESCRIPTION	DESCRIZIONE	DESIGNATION	BESCHREIBUNG
	ICEU 105	ICEU 145-185				
1	620242 02	620242 02	SWITCH	INTERRUTTORE LUMINOSO	INTERRUPTEUR LUMINEUX	SCHALTER
2	620441 00	620441 02	TIMER	TIMER	MINUTERIE	TIMER
3	620201 01	620201 01	EVAPORATOR THERMOSTAT	TERMOSTATO EVAPORATORE	THERMOSTAT EVAPORATEUR	VERDAMPFER THERMOSTAT
4	620209 00	620209 00	BIN THERMOSTAT	TERMOSTATO CONTENITORE	THERMOSTAT CONTENEUR	BEHÄLTER THERMOSTAT
5	620075 00	620075 00	PRESSURE CONTROL	PRESSOSTATO	PRESSOSTAT	PRESSOSTAT
6	620442 01	620442 01	SWITCH	COMMUTATORE	INTERRUPTEUR	UMSCHALTER
7	620443 00	620443 00	SAFETY THERMOSTAT	TERMOSTATO DI SICUREZZA	THERMOSTAT DE SECURITÉ	DRUCKWÄCHTER THERMOSTAT
8	***	630119 02	CONTACTOR	TELERUTTORE	CONTACTEUR	SCHALTSCHÜTZ